

# SIEMENS

CATALOG NO. 3F1Y150D16

SERIAL NO.

SERIES H

150 kVA 60 Hz 3 PHASE

4.1 % IMP AT 170 °C

150 °C RISE 30 °C AVG. AMBIENT

220 °C TEMP CLASS 40 °C MAX. AMBIENT

PRIMARY ( H1 H2 H3 ) 480V V 10 kV BIL

SECONDARY( X1 X2 X3 ) 240V V 10 kV BIL

WINDING MATERIAL AL

ENCLOSURE TYPE 3R WEIGHT 905 LBS

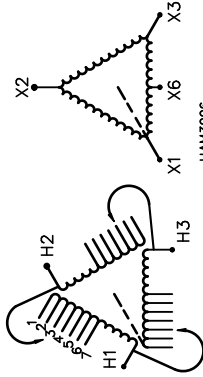
ENERGY EFFICIENCY EXCEEDS CSA DOE 10 CFR PART 431:2016

SPACINGS BETWEEN ANY VENTILATED ENCLOSURE PANEL AND ANY ADJACENT WALL SHALL BE A MINIMUM OF 5 INCHES EXCEPT WHEN WALL MOUNTED USING APPROVED WALL MOUNTING KIT X6=120V CT, 5% OF KVA RATING MAXIMUM

SUITABLE FOR INDOOR OR OUTDOOR LOCATIONS BEFORE HANDLING, INSTALLING AND OPERATING, SEE INSTRUCTION MANUAL

NEMA Class ANN Dry Type Transformer

Siemens Industry, Inc. Norcross, GA



| VOLTS | 1 | 2 | 3 | 4 | 5 | 6 | 7 |
|-------|---|---|---|---|---|---|---|
| 504   |   |   |   |   |   |   |   |
| 492   |   |   |   |   |   |   |   |
| 480   |   |   |   |   |   |   |   |
| 468   |   |   |   |   |   |   |   |
| 456   |   |   |   |   |   |   |   |
| 444   |   |   |   |   |   |   |   |
| 432   |   |   |   |   |   |   |   |



SEISMIC QUALIFICATIONS, FLOOR MOUNT ONLY  
OSP-0136-10 IBC 2012/ASCE 7-10  
SDS<=2.0g Z/h=1 Ip=1.5



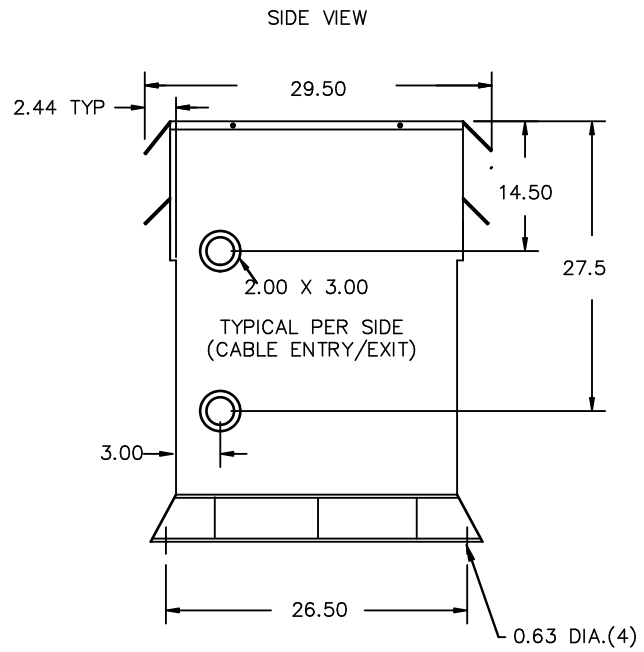
3F1Y150D16

| REVISION | DATE | BY      | DATE     | BY |
|----------|------|---------|----------|----|
|          |      | DRAWN   | 15/11/09 | JW |
|          |      | CHEK'D  |          |    |
|          |      | VERIF'D |          |    |

|  |           |            |
|--|-----------|------------|
| <p>Confidential - Property of<br/>Siemens Industry, Inc.</p> |           |            |
| CUSTOMER   | ORDER NO. | DWG. NO.   |
|  |           | 3F1Y150D16 |
|  |           | SH 1 OF 2  |



All Dimensions in inches

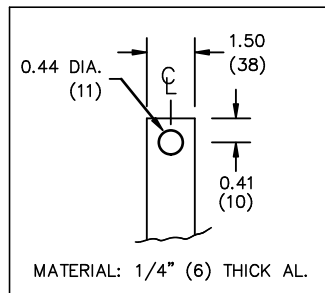


ENCLOSURE COLOR :ANSI 61 GREY – OUTDOOR

H.V.1. TERMINAL DETAIL

L.V.1. TERMINAL DETAIL

MECHANICAL TYPE LUGS INCLUDED  
SUITABLE FOR 350MCM-6 CU/AL  
CONDUCTORS  
1 CONDUCTOR PER PHASE



CUSTOMER NOTES:

- HV1 TERMINATED AT TOP FRONT
- LV1 TERMINATED AT BOTTOM FRONT

Confidential – Property of  
Siemens Industry, Inc.

| REVISION | DATE | BY        | DATE           | BY         | CUSTOMER  |
|----------|------|-----------|----------------|------------|-----------|
|          |      |           | DRAWN 15/11/09 | JW         |           |
|          |      |           | CHEK'D         |            |           |
|          |      |           | VERIF'D        |            |           |
|          |      | ORDER NO. |                | DWG. NO.   |           |
|          |      |           |                | 3F1Y150D16 |           |
|          |      |           |                |            | SH 2 OF 2 |