

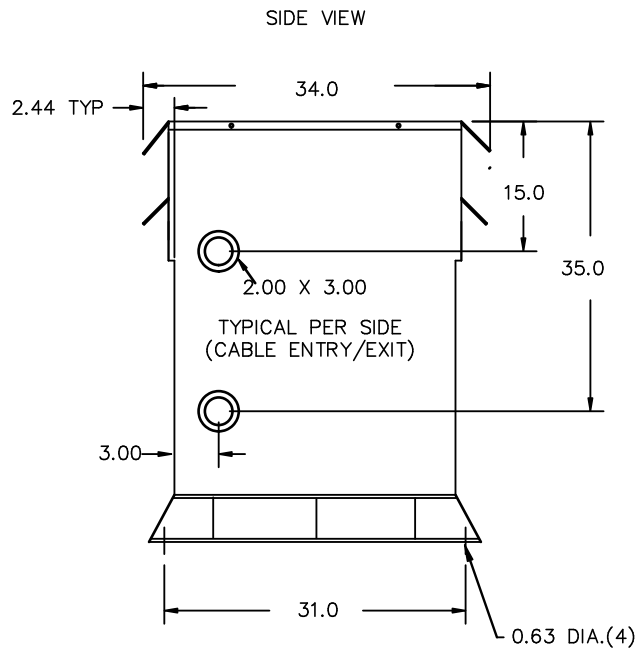
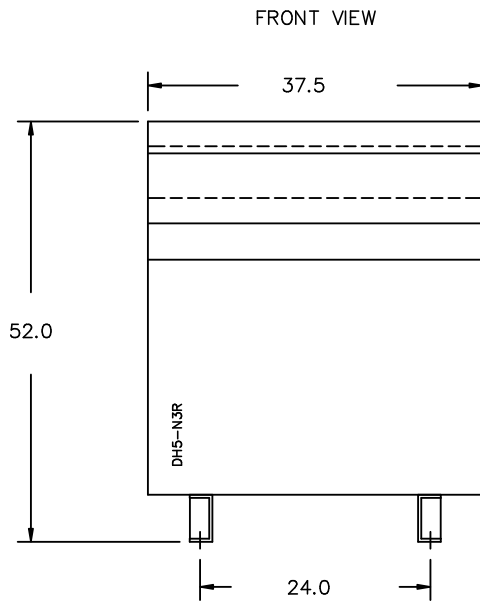
REVISION	DATE	BY	DATE	BY
			16/11/16	RB

Confidential - Property of Siemens Industry, Inc.	
CUSTOMER	
ORDER NO.	DWG. NO.
	3B5S300CLN3D16
	SH 1 OF 2

SIEMENS

CATALOG NO. 3B5S300CLN3D16 SERIAL NO. SERIES H 300 kVA 60 Hz 3 PHASE 5.4 % IMP AT 170 °C		
150 °C RISE °C AVG. AMBIENT 220 °C TEMP CLASS °C MAX. AMBIENT PRIMARY (H0 H1 H2 H3) 480Y/277V V 10 kV BIL SECONDARY(X1 X2 X3) 208V V 10 kV BIL		
WINDING MATERIAL CU ENCLOSURE TYPE 3R WEIGHT 1900 LBS ENERGY EFFICIENCY CEE ACT 2011-182 DOE 10 CFR PART 431:2016		
SPACINGS BETWEEN ANY VENTILATED ENCLOSURE PANEL AND ANY ADJACENT WALL SHALL BE A MINIMUM OF 5 INCHES EXCEPT WHEN WALL MOUNTED USING APPROVED WALL MOUNTING KIT SOUND LEVEL 3 DB BELOW NEMA ST-20 ALSO VERIFIED IN ACCORDANCE TO ENERGY STANDARD C802.2-12 UNDERWRITERS LABORATORIES INC. 3VJ6		
SUITABLE FOR INDOOR OR OUTDOOR LOCATIONS BEFORE HANDLING, INSTALLING AND OPERATING; SEE INSTRUCTION MANUAL NEMA Class ANN Dry Type Transformer Siemens Industry, Inc. Norcross, GA <small>dsu0086e</small>		

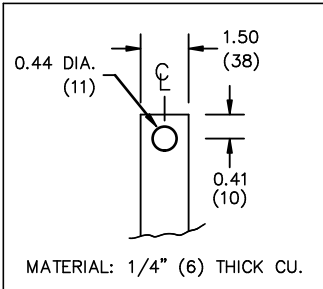




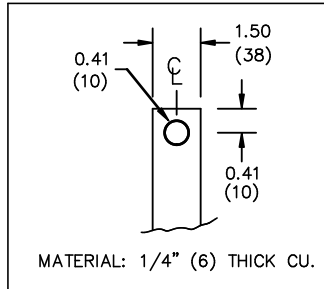
All Dimensions in inches

ENCLOSURE COLOR :ANSI 61 GREY – OUTDOOR

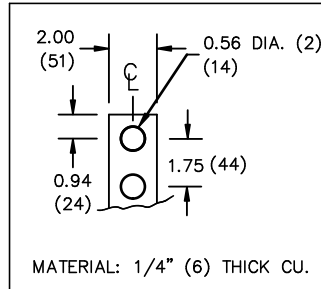
HV TERMINAL DETAIL



HO TERMINAL DETAIL



LV TERMINAL DETAIL



CUSTOMER NOTES:

- HV TERMINATED AT BOTTOM FRONT
- HO TERMINATED AT BOTTOM FRONT
- LV TERMINATED AT TOP FRONT

Confidential – Property of
Siemens Industry, Inc.

REVISION	DATE	BY	DATE	BY
			16/11/16	RB

CUSTOMER	
ORDER NO.	DWG. NO.
	3B5S300CLN3D16
	SH 2 OF 2

0.3 rbratia 2016/11/16 08:36