

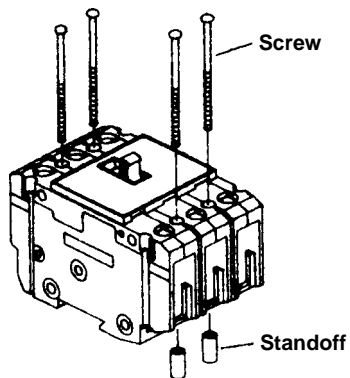
SIEMENS

Molded Case Circuit Breaker Accessory

Screw Mounting Kit
Each kit contains (4) #6-32 UNC
and (2) Standoffs for use with CQD
Circuit Breakers only.

NOTE: When used on a 2 pole
CQD use only 2 screws and 1
spacer. This kit can not be used on
a 1 pole CQD.

Use template on reverse side to
locate and drill mounting holes.
Torque mounting screws to 8 in-lbs.



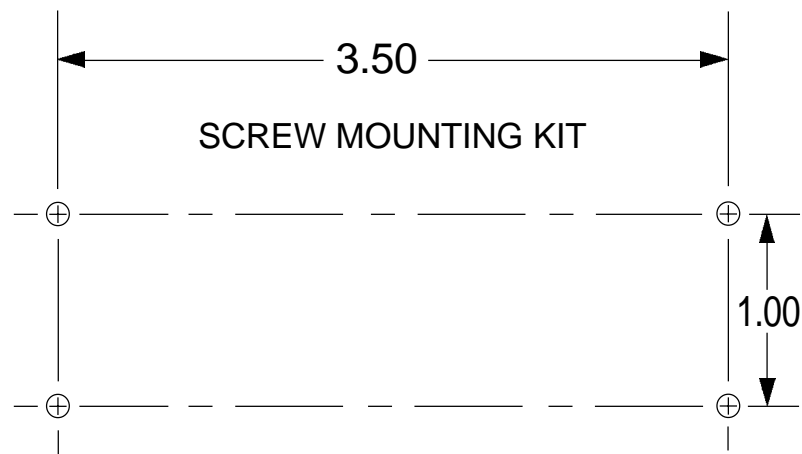
Qty.
1

Cat. No.
CQDSMK

DC No.
78364327807

Siemens Energy & Automation, Inc.
Bellefontaine, Ohio 43311 U.S.A.

Pc. No. 800496G00 Rev. No. 5P



MOUNTING HOLE TEMPLATE

Use this template as a guide to locate,
drill, and tap (4) #6-32 mounting holes.