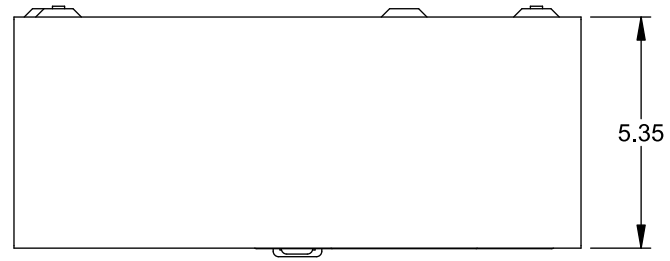


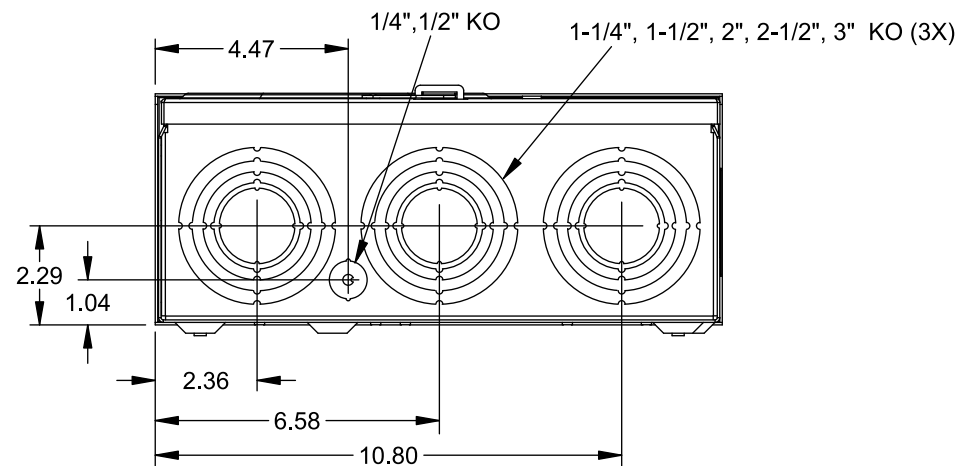
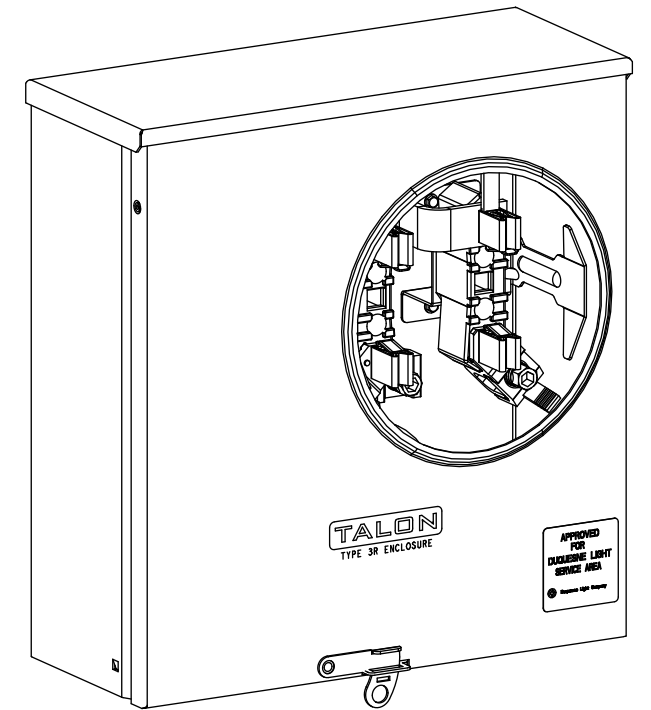
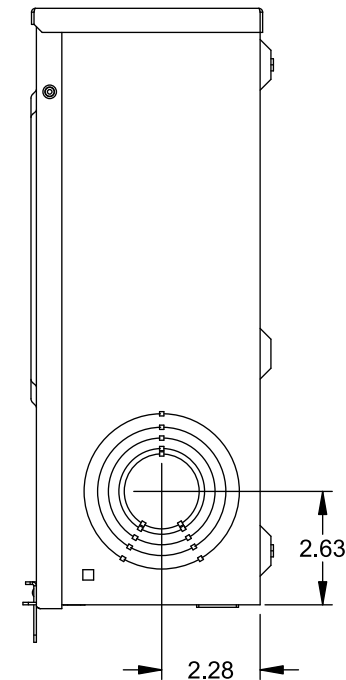
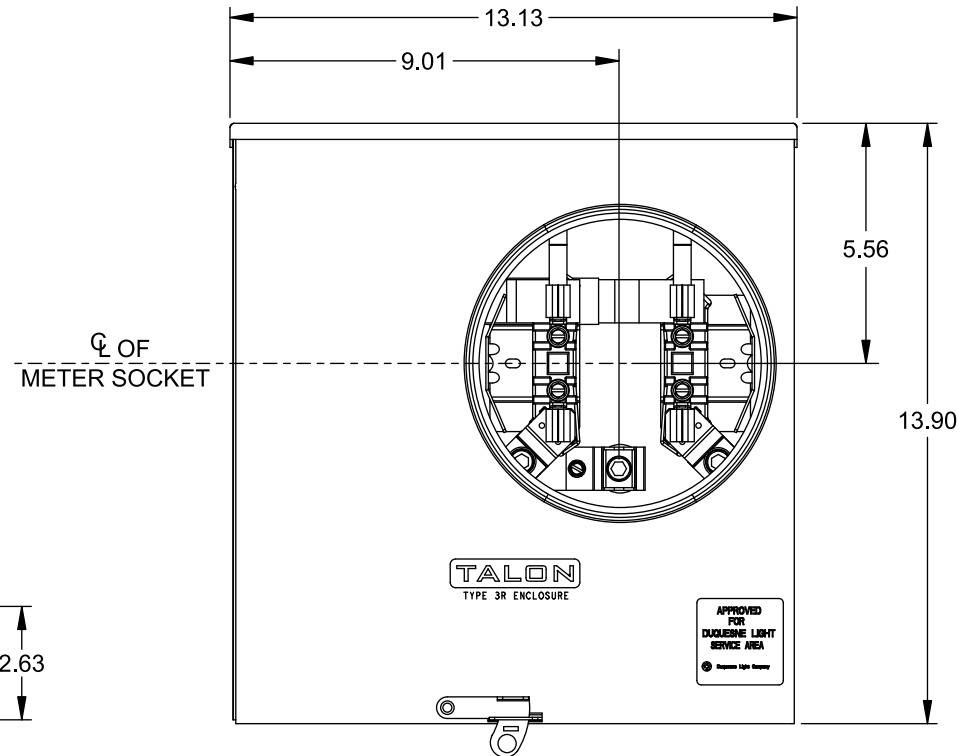
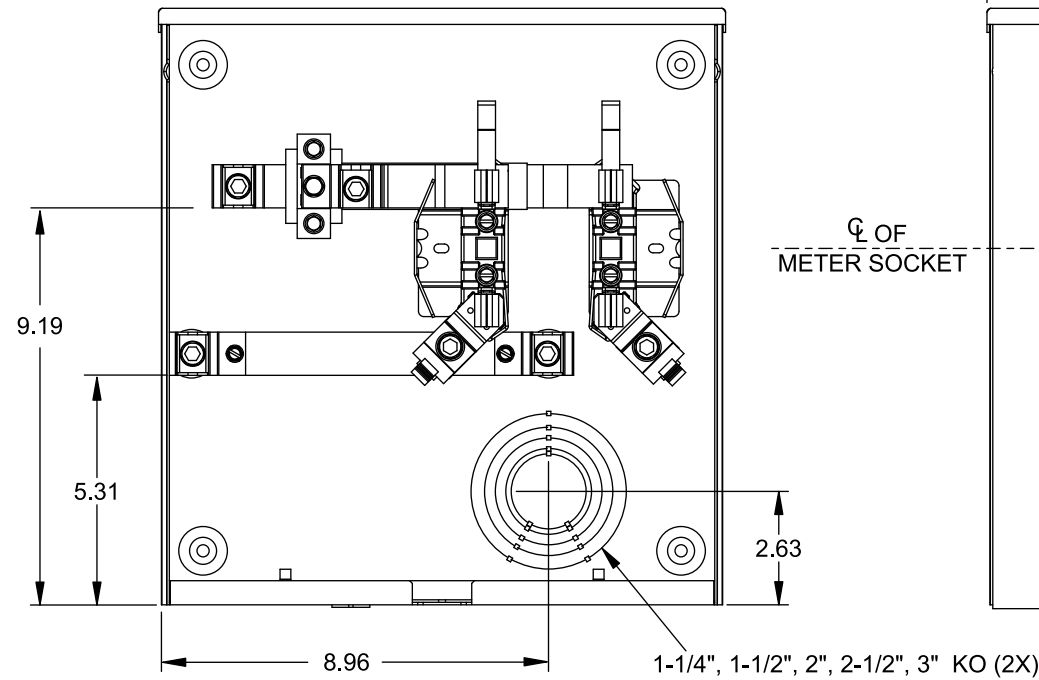
Catalog Number: UAS877-PPDN

Features and Ratings

- Ringless Type Meter Socket
- 200A Continuous, 250A Max., 600V AC
- Outdoor Enclosure (NEMA Type 3R)
- Painted G90 Steel
- 1 Phase, 3 Wire
- 4 Jaw Meter Socket
- Meter Socket Type UAS8
- For Underground Service Only
- Horn Bypass
- One Ground Lug



VIEW SHOWN WITH COVER REMOVED



Connectors, Wire Sizes and Torques

| CONNECTOR | WIRE SIZE | TORQUE |
|----------------------|----------------|--------------|
| LINE, LOAD, NEUTRAL* | #6 - 350 kcmil | 250 IN.-LBS. |
| GROUND | #2 - 14 AWG | 50 IN.-LBS. |

- * External Hex Drive 1/2"
- * Internal Hex Drive 5/16"

Accessories

Meter Opening Cover Plate
Cat No: H659-0162

5th Jaw Kit
Cat. No: EC659-0121

© 2015 Copyright Siemens Industry, Inc.

TALON

Meter Socket

Description: **200A Cont, 4 Jaw, UAS8, 600V AC, Painted Steel Enclosure**

JEL 6/30/15 | DO NOT SCALE DRAWING | Dwg No: **UAS877-PPDN**