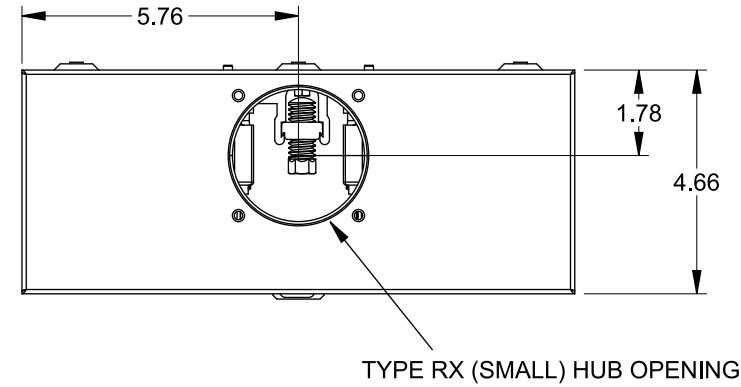


Catalog Number: UAT43K-0G

Features and Ratings

- Ringless Type Meter Socket
- 200A Continuous, 250A Max., 600V AC
- Outdoor Enclosure (NEMA Type 3R)
- Aluminum Enclosure
- 1 Phase, 3 Wire
- 4 Jaw Meter Socket
- Meter Socket Type UAT4
- For Overhead and Underground Service
- Stainless Steel Hasp and Latch
- Small Hub Opening



Accessories

CONDUIT HUBS (RX Type)	
TRADE SIZE	CATALOG No.
1-1/4 INCH	EC38597 or H38597-2
1-1/2 INCH	EC38598 or H38598-2
2 INCH	EC38599 or H38599-2
2-1/2 INCH	EC38600 or H38600-2

Hub Cover Plate H38595-2

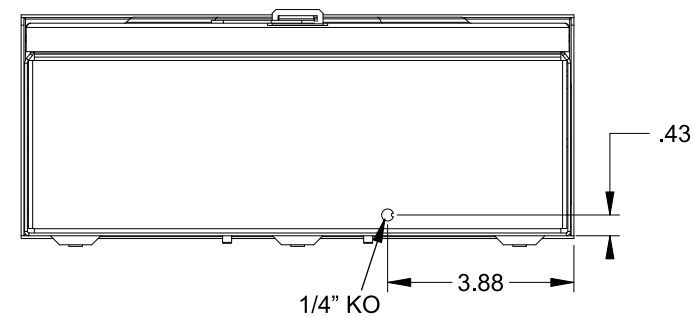
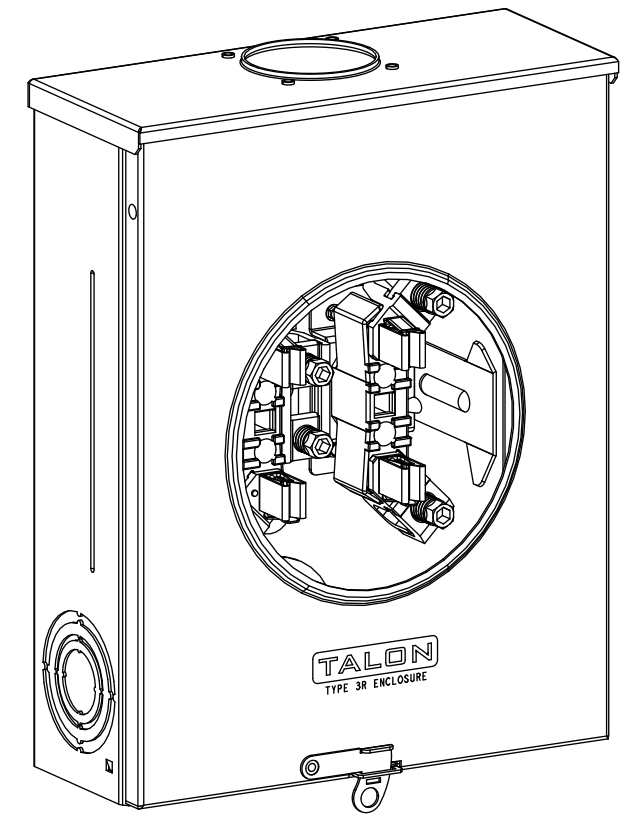
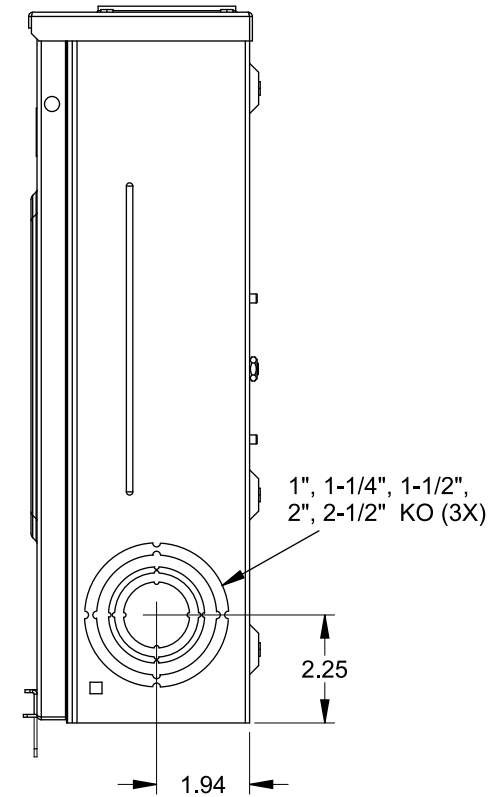
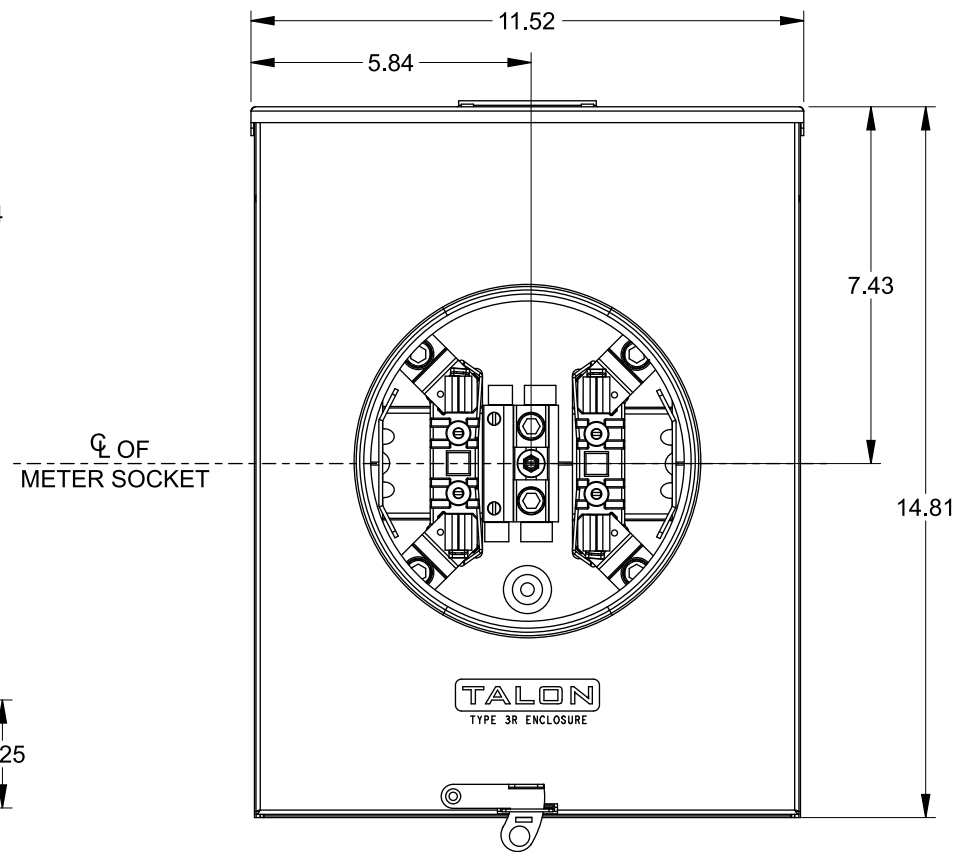
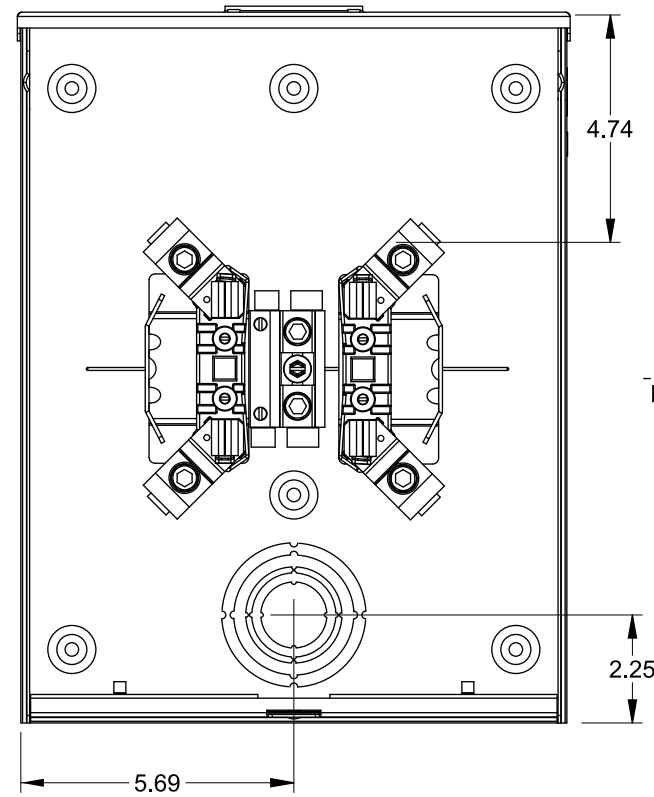
Meter Opening Cover Plate
 Cat No: H659-0162
 5th Jaw Kit
 Cat. No: EC659-0121

Connectors, Wire Sizes and Torques

CONNECTOR	WIRE SIZE	TORQUE
LINE, LOAD, NEUTRAL*	#6 - 350 kcmil	250 IN.-LBS.
GROUND	#2 - 14 AWG	50 IN.-LBS.

* External Hex Drive 1/2"
 * Internal Hex Drive 5/16"

VIEW SHOWN WITH COVER REMOVED



© 2015 Copyright Siemens Industry, Inc.

TALON Meter Socket

Description: 200A Cont, 4 Jaw, UAT4, 600V AC, Aluminum Enclosure	
JEL 6/30/15	DO NOT SCALE DRAWING <small>Dwg No:</small> UAT43K-0G