

**Catalog Number: MC0816B1200RJBT**

**Features and Ratings**

- Unit Rating: 200A Max., 120/240VAC
- Meter Socket Rating: 200A Continuous
- Ringless Type Horn Bypass Meter Socket
- Outdoor Enclosure (NEMA Type 3R)
- Painted G90 Steel
- 1 Phase, 3 Wire
- 5 Jaw Meter Socket
- For Overhead or Underground Service
- RX Type Hub Opening, Cover Plate Installed
- 208Y/120 VAC, 1 Phase, 3 Wire  
(Derived From 3 Phase - 4 Wire System)

**Accessories**

**CONDUIT HUBS (RX Type)**

TRADE SIZE	CATALOG No.
1-1/4 INCH	EC38597
1-1/2 INCH	EC38598
2 INCH	EC38599
2-1/2 INCH	EC38600

**CONDUIT HUBS (HC Type)**

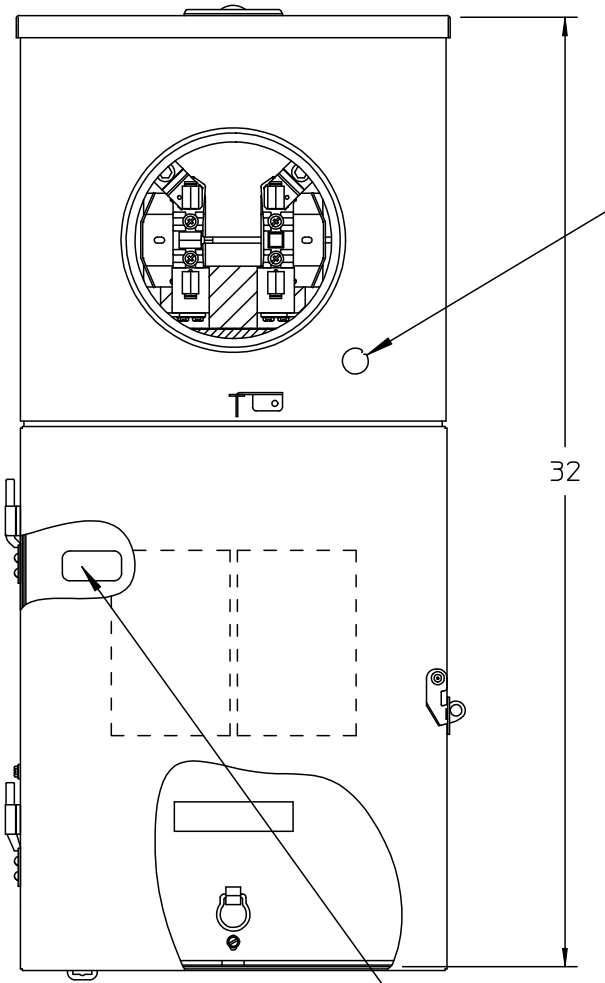
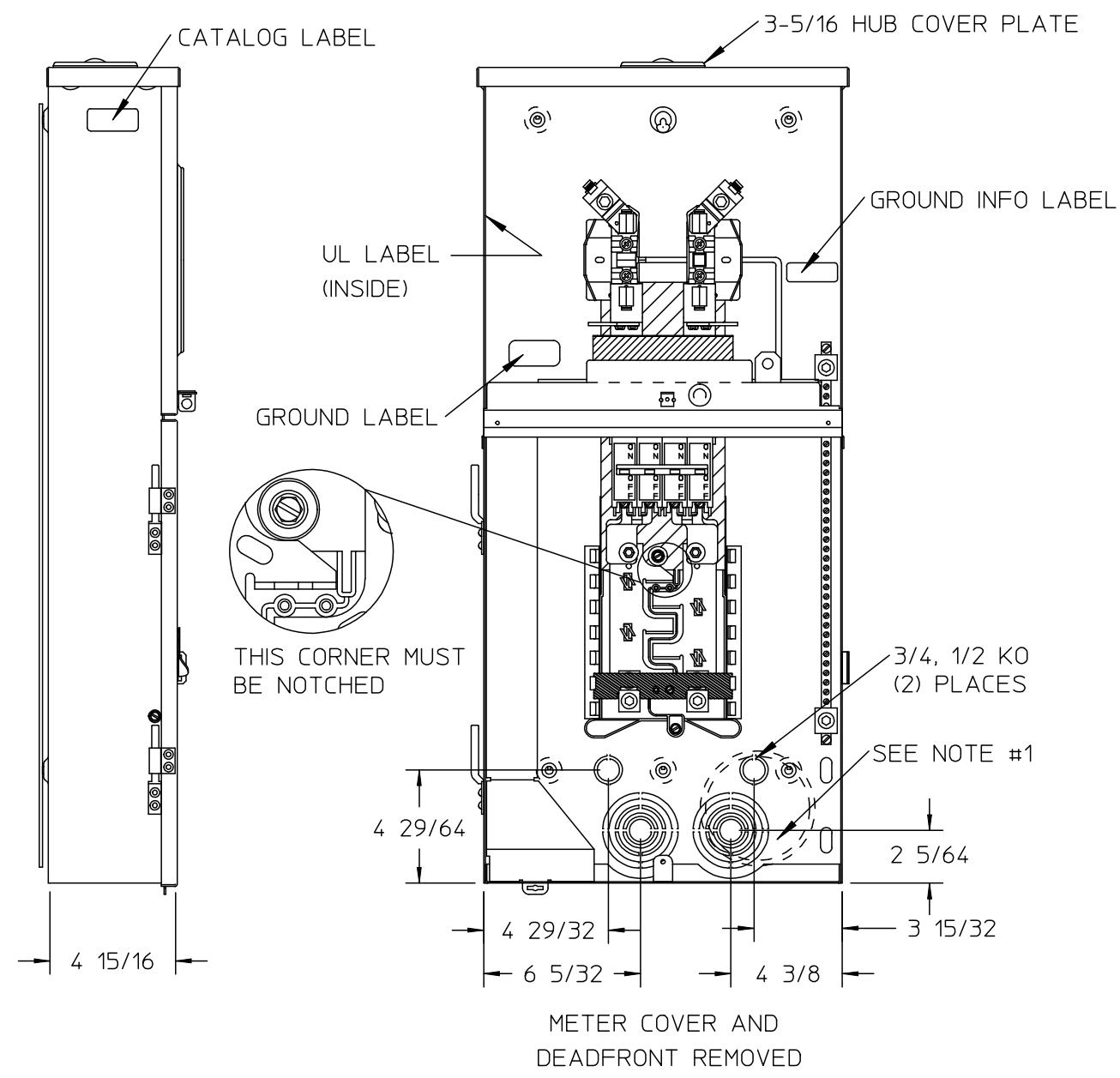
TRADE SIZE	CATALOG No.
2 INCH	ECHC200
2-1/2 INCH	ECHC250
3 INCH	ECHC300

**Accessories**

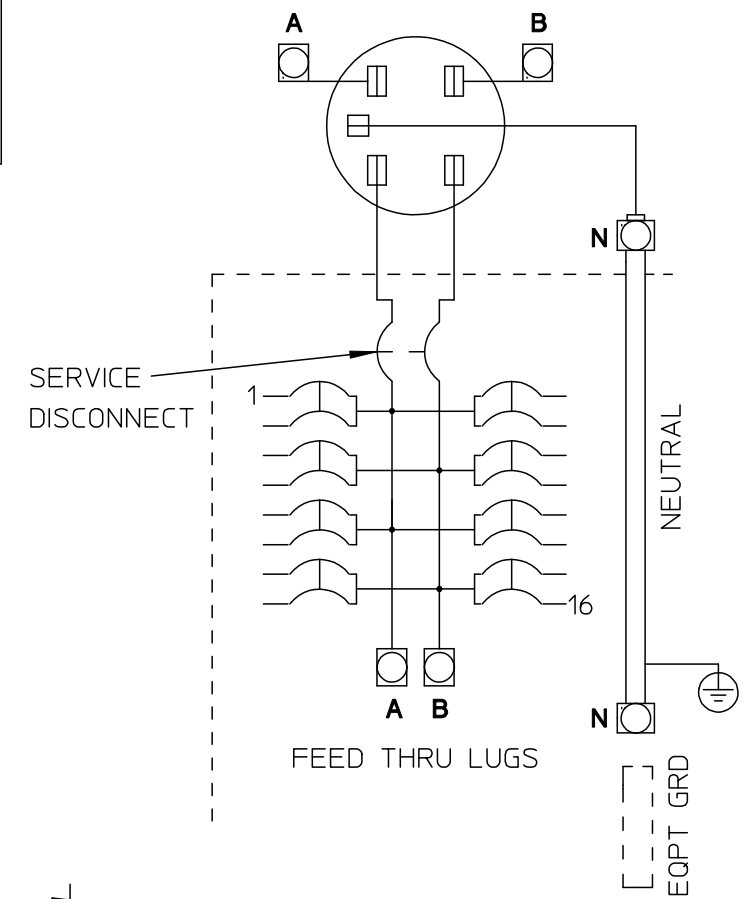
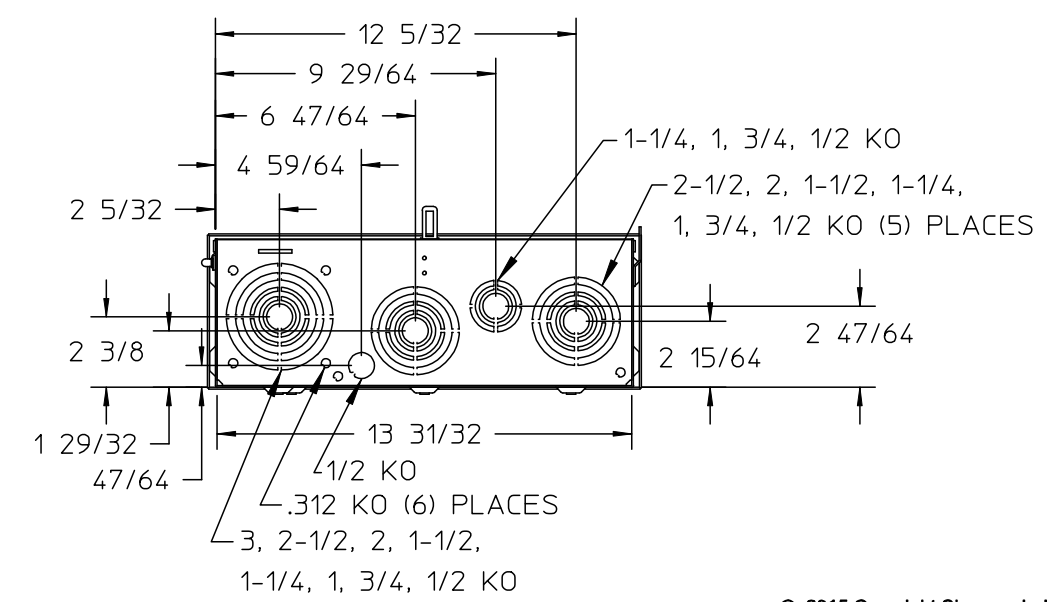
- Filler plate**  
Cat No: QF3 or ECQF3
- 2/0 - #4 Lug Kit**  
Cat No: ECLK2
- 5TH Jaw Assembly**  
Cat No: EC5J2
- Mechanical Breaker Interlock**  
Cat No: ECSBPK08
- Meter Socket Jumper**  
Cat No: ECJS
- Equipment Grounding Bars**  
Cat No: ECGB10

**Connectors, Wire Sizes and Torques**

CONNECTOR	WIRE SIZE	TORQUE
A, B, AND N	#4 AWG - 250 kcmil	250 IN.-LBS.
NEUTRAL/GROUND BAR	#14 - 10 CU/12 - 10AL AWG	20 IN.-LBS.
	#8 AWG	25 IN.-LBS.
	#6-4 AWG	35 IN.-LBS.



NOTES:  
1) PLACE ITEMS IN APPROX. LOCATION SHOWN



© 2015 Copyright Siemens Industry, Inc.

**SIEMENS**  
Siemens Industry, Inc.

**RAINPROOF COMBINATION METERING**

Description:

**SKT/BKR 200A 1P HCP**

RB 6/29/15 | DO NOT SCALE DRAWING | Dwg No: MC0816B1200RJBT