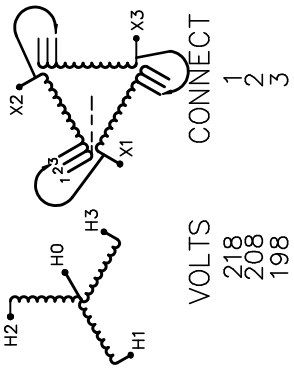




REVISION	DATE	BY	DATE	BY
			17/01/13	RM
1 ADDED ENCL BOTTOM DRAWING	17/04/03	JW		

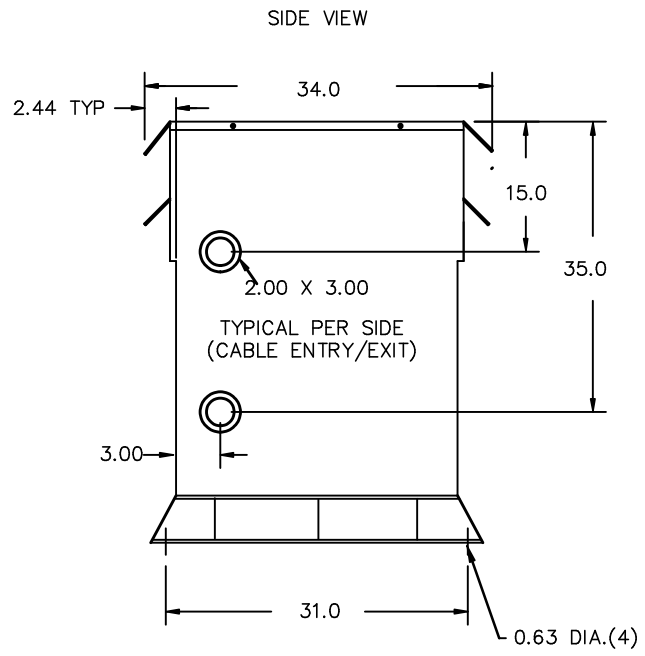
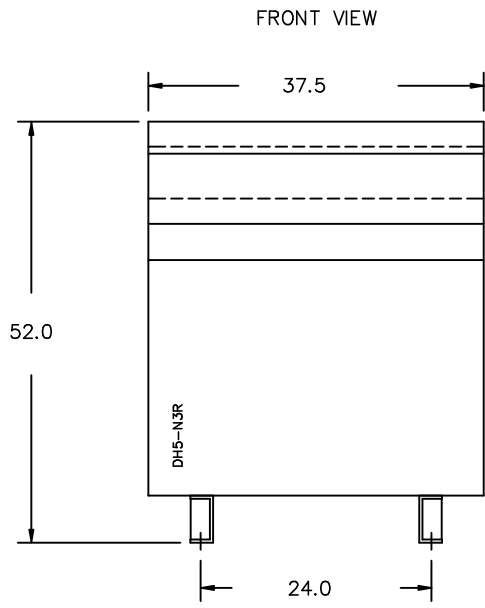
CUSTOMER		
ORDER NO.	DWG. NO.	1
	3B5S225D16	SH 1 OF 3

SIEMENS

CATALOG NO. 3B5S225D16 SERIAL NO. SERIES H 225 kVA 60 Hz 3 PHASE 5.6 % IMP AT 170 °C			
150 °C RISE	30 °C AVG. AMBIENT	VOLTS	CONNECT
220 °C TEMP CLASS	40 °C MAX. AMBIENT	218	1
PRIMARY (X1 X2 X3)	208 V 10 kV BIL	208	2
SECONDARY(H0 H1 H2 H3)	480Y/277 V 10 kV BIL	198	3
WINDING MATERIAL AL			
ENCLOSURE TYPE 3R WEIGHT 1450 LBS			
ENERGY EFFICIENCY EXCEEDS CSA C802.2-2012 DOE 10 CFR PART 431:2016			
SPACINGS BETWEEN ANY VENTILATED ENCLOSURE PANEL AND ANY ADJACENT WALL SHALL BE A MINIMUM OF 5 INCHES EXCEPT WHEN WALL MOUNTED USING APPROVED WALL MOUNTING KIT TRANSFORMER SUITABLE FOR STEP UP OPERATION ONLY			
TYPE K			
  LISTED DRY TYPE TRANSFORMER E112313 LR 3902			
SEISMIC QUALIFICATIONS, FLOOR MOUNT ONLY OSP-0136-10 IBC 2012/ASCE 7-10 SDS<=2.0g Z/h=1 Ip=1.5			
SUITABLE FOR INDOOR OR OUTDOOR LOCATIONS BEFORE HANDLING, INSTALLING AND OPERATING, SEE INSTRUCTION MANUAL		NEMA Class ANN Dry Type Transformer Siemens Industry, Inc. Norcross, GA dsu0086e1	



Siemens Industry, Inc.



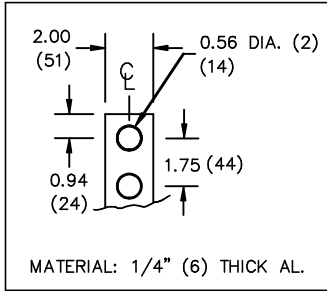
All Dimensions in inches

ENCLOSURE COLOR :ANSI 61 GREY – OUTDOOR

H.V.1. TERMINAL DETAIL

L.V.1. TERMINAL DETAIL

MECHANICAL TYPE LUGS INCLUDED
SUITABLE FOR 600MCM-2 CU/AL
CONDUCTORS
1 CONDUCTOR PER PHASE



CUSTOMER NOTES:

- HV1 TERMINATED AT BOTTOM FRONT
- LV1 TERMINATED AT TOP FRONT

Siemens Industry, Inc.

REVISION	DATE	BY	DATE	BY	CUSTOMER		
			17/01/13	RM			
1	ADDED ENCL BOTTOM DRAWING	17/04/03	JW	VERIF'D			
					ORDER NO.	DWG. NO.	1
					3B5S225D16		SH 2 OF 3

ENCLOSURE BOTTOM VIEW



NOTE:
 WHEN BOTTOM CABLE ENTRY IS OPTED, THE SPACE USED FOR CONDUITS IN THE FRONT OF THE TRANSFORMER SHOULD NOT OBSTRUCT MORE THAN 50% OF THE FRONT AIR INTAKE AREA DEFINED BETWEEN THE BOTTOM PLATE AND THE SUPPORTING LEGS. SEE MANUAL FOR ADDITIONAL INFORMATION

Siemens Industry, Inc.

REVISION	DATE	BY	DATE	BY	CUSTOMER
			17/01/13	RM	ORDER NO. DWG. NO. 1 3B5S225D16 SH 3 OF 3
1	ADDED ENCL BOTTOM DRAWING	17/04/03	JW	VERIF'D	