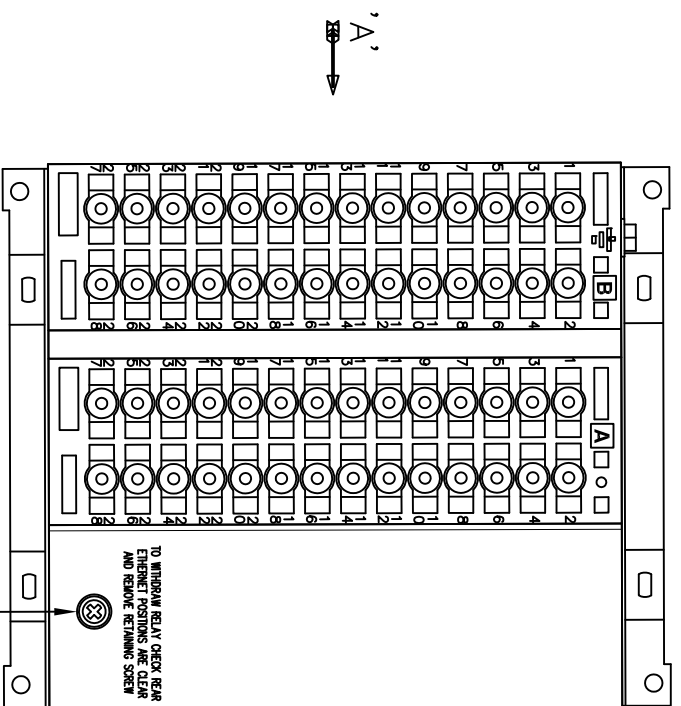
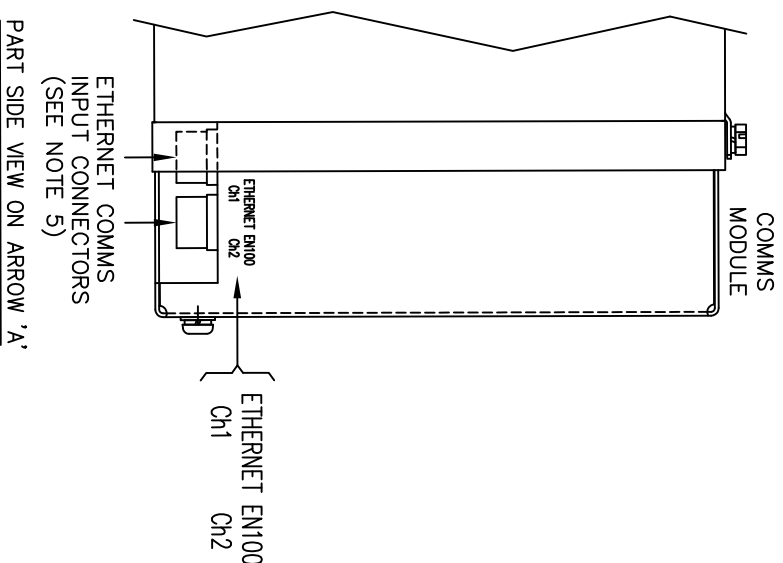


IF IN DOUBT ASK
DO NOT SCALE



RELAY VIEWED FROM REAR

TO WITHDRAW RELAY CHECK REAR
ETHERNET POSITIONS ARE CLEAR
AND REMOVE RETAINING SCREW



PART SIDE VIEW ON ARROW 'A'

ETHERNET COMMS
INPUT CONNECTORS
(SEE NOTE 5)

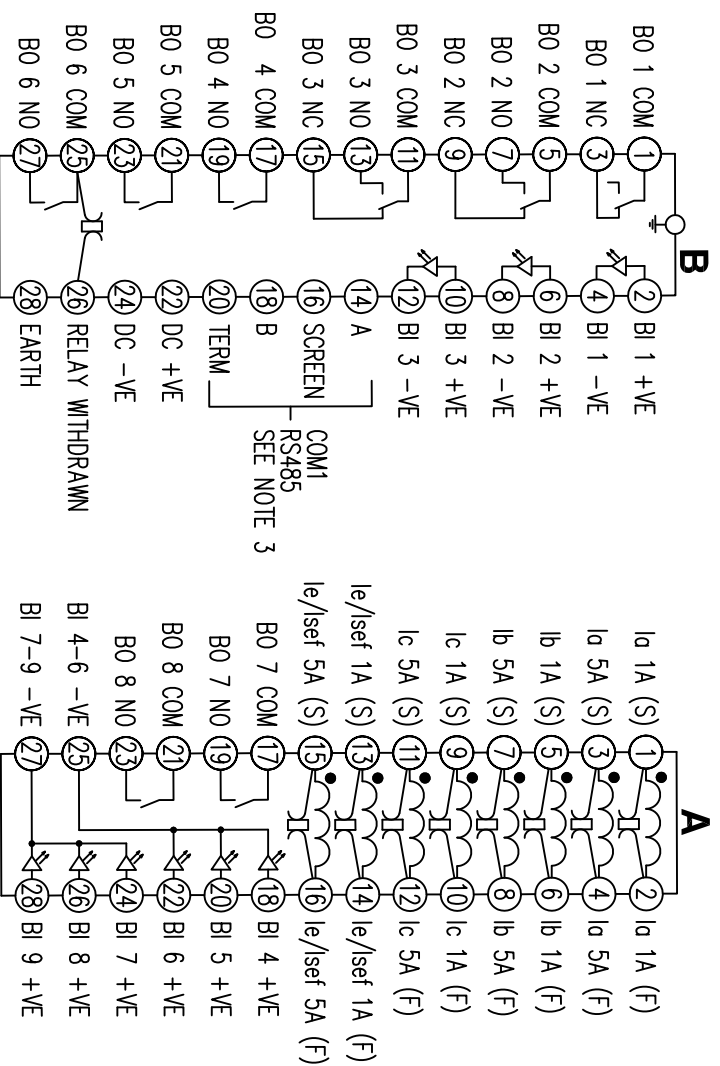
- NOTES
- 1) TERMINALS RECOMMENDED ARE PRE-INSULATED & MUST BE CRIMPED USING APPROVED TOOLING. AMP PIDG OR PLASTI GRIP FUNNEL ENTRY (RING TONGUE) FOR M4 FIXING STUD.
 - 2) FOR OUTLINE & PANEL DRILLING, SEE 2995X10020 (A4).
 - 3) CONNECTIONS TO THIS COMMUNICATIONS FACILITY IS BY SCREENED, TWISTED PAIR CABLE, ON SITE. WHEN WIRING OTHER FACILITIES ENSURE THAT THESE TERMINALS ARE NOT OBSCURED BY OTHER WIRE RUNS.
 - 4) CONTACTS SHOWN THUS AND ARE INTERNAL RELAY CASE ASSEMBLY AND CLOSE WHEN THE RELAY CHASSIS IS WITHDRAWN FROM THE CASE.
 - 5) THE ETHERNET PORTS CAN BE EITHER -
2 x FIBRE OPTIC OR 2 x ELECTRICAL.
- | SUPPLIER | PART NUMBER | CABLE SIZE |
|----------|-------------|-------------------------|
| AMP | 342103 | 0.25-1.6mm ² |
| AMP | 342143 | 1.0-2.6mm ² |
- OR ANY OTHER MANUFACTURERS EQUIVALENT TERMINAL.

ABBREVIATIONS

- I-CURRENT INPUTS
- BI-BINARY INPUTS
- BO-BINARY OUTPUTS
- CO-CHANGE OVER BINARY OUTPUT CONTACTS
- NO-NORMALLY OPEN BINARY OUTPUT CONTACTS
- NC-NORMALLY CLOSED BINARY OUTPUT CONTACTS

COMMUNICATIONS IDENTIFICATION

- COM1 RS485 (ON BLOCK 'B' TERMINALS 14,16,18 & 20)
- COM2 USB TYPE 'B' PORT (ON RELAY FRONT LABEL)
- COM3 ETHERNET(x2) PORTS (ON REAR COMMS MODULE)



MATERIAL:

Dimensions in millimetres : Surface texture in micrometres.

Machine where marked ✓

For explanation of dimensions, tolerances, notes etc. see B.S.308.

Limit on untoleranced unmachined dimensions ±

Limits on untoleranced machined dimensions to B.S.4500:
i.e. up to 6±0.1; over 30 to 120±0.3; over 315±0.5;
over 6 to 30±0.2; over 120 to 315±0.5;

General unmachined angular tolerance ±

DRAWN K.BURDON CHECKED RD.WATSON APPROVED RD.WATSON

Finish: _____
Treatment: _____

Title:
7SR210, E6, TERMINAL ID & WIRING DIAGRAM
4I, 9BI, 2C0, 5NO, 1NC, RS485, ETHERNET(x2) PORTS

Original Scale:
NTS

First used on: _____
Similar Articles: _____
Supersedes: _____
Drg. No. 2435W40069

| ISSUE | DATE | NOTED |
|-------|----------|---|
| 3 RDW | 30/7/13 | RETAINING SCREW POSITION CHANGED. MNA35/3650, 3J1770, KB |
| 2 RDW | 19/01/11 | SILK SCREENED LEGEND WERE LABELS & LEGEND CHANGED. BLN,3HBB, 110119 AND 9PDL MNA35/3380 KB |
| 1 | 02/08/10 | CHANGE |

Copyright © 2010 Siemens Protection Devices Ltd. Hebburn

SIEMENS PROTECTION DEVICES LTD.

DATE 19/11/2010 IE OPS PCP Purch.Spec. TQ EAC CE STD A3