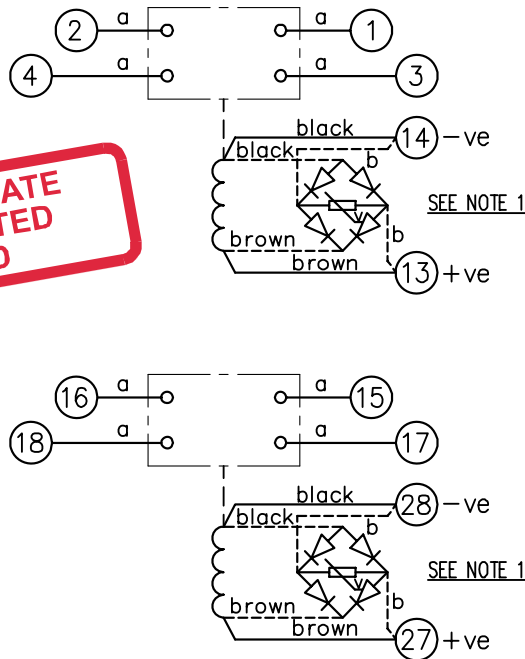


2112W50022

LOOKING ON FRONT OF RELAY



NOT SUBJECT TO UPDATE  
ONCE COPIED / PRINTED  
OR DOWNLOADED

PRINTED ON 31/07/2012  
ENSURE CORRECT REVISION  
DESTROY AFTER USE

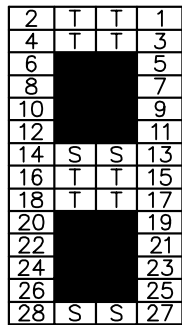
ASSEMBLY WIRES USED		
a	2107B10001	8 OFF
b	2107D10161	4 OFF

**KEY**

- make contact
- break contact
- c/o contact
- ext. conn
- plug bridge - shorting
- metering point
- 5Kv barrier
- test socket - shorting
- plug & socket

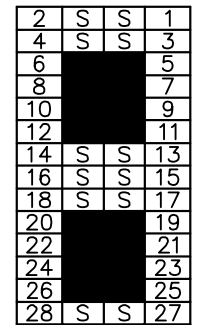
M.R. AND F.R. COILS SEE BOMS AND CUSTOMER ORDERS FOR SETTINGS								
A.R. COILS ONLY	2112G20019	2112G20020	2112G20022	2112G20023	2112G20026	2112G20029		
VOLTAGE	24	30	50	60	125	240		
CONTACT CONFIG.	OUTPUT CONTACT PAIR / TERMINAL No.						NOTE: 1. DASHED LINE --- SHOWS CONNECTIONS WHEN RECTIFIERS ARE FITTED, (AC APPLICATIONS ONLY).	
	TOP	BOT.	1-3	2-4	15-17	16-18		
2M	2M	M	M	M	M			
2M	1M1B	M	M	M	B			
2M	2B	M	M	B	B			
1M1B	2M	M	B	M	M			
1M1B	1M1B	M	B	M	B			
1M1B	2B	M	B	B	B			
2B	2M	B	B	M	M			
2B	1M1B	B	B	M	B			
2B	2B	B	B	B	B			

FRAME REFERENCE: E2FAQQ.  
 FRAME TERMINAL BLOCK ASSY: -  
 ASSEMBLY INSTRUCTIONS: -  
 TYPICAL ASSEMBLY DRAWING 2995G10032.  
 AT INDICATED POSITIONS FIT AS FOLLOWS:  
 T - FIT TRIP ISOLATION CONTACT 2995B10053  
 S - FIT STANDARD CONTACT 2995B10054  
 SECURE CONTACTS USING FIXING SCREW 2109F99009.  
 POSITIONS SHOWN BLANK ARE UNUSED



VIEW FROM NUMBERED SIDE OF BLOCK

OUTER TERMINAL BLOCK ASSY: -  
 ASSEMBLY INSTRUCTIONS: -  
 TYPICAL ASSEMBLY DRAWING 2995G10029.  
 AT INDICATED POSITIONS FIT AS FOLLOWS:  
 S - FIT STANDARD CONTACT 2995B10051  
 HC - FIT 'HEAVY CURRENT' KIT 2995G10030  
 WHERE IS SHOWN FIT CT SHORTING  
 KIT 2995G10031  
 POSITIONS SHOWN BLANK ARE UNUSED.  
 ALL POSITIONS FIT SCREW 2106F12506.



VIEW FROM INSIDE FACE

Title: TB AND WD FOR AR,MR OR FR 2 CONTACT/ 2 ELEMENT RELAYS IN E2 CASE.			First used on:		
2 RDW 10/07/12 MN11C/3479			Similar Articles:		
1 30/03/99			Supersedes:		
ISSUE DATE MOD.No.			Drg.No.		
Reyrolle Protection Hebburn.			2112W50022		
			Copyright © 1998 Reyrolle Ltd.		
DRAWN: A.LAW.	CHECKED:	APPROVED: R.D.WATSON	DATE: 16/07/02		