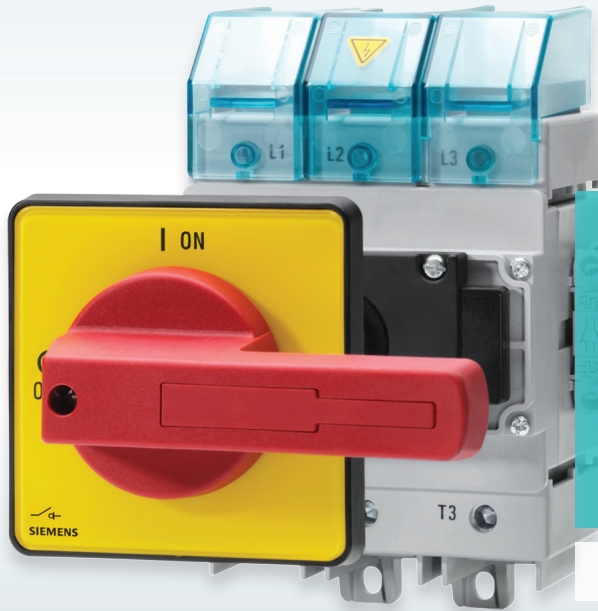


# SIEMENS

*Ingenuity for life*



## New Product Announcement

3LD2 160 and 250A Disconnect Switches

[usa.siemens.com/switches](http://usa.siemens.com/switches)

We are pleased to announce that 160 and 250A 3LD2 Disconnect Switches are now released for sale.

Base mounted units with either direct or door mounted handles are available. These switches are UL508 listed and now allow this line of switches to be used on 480V motor through 100 HP at 480V AC.

Catalog Number	Ampere Rating	List Price \$	No. of Poles	AC 3 Phase Horsepower Rating		
				240V	480V	600V
<b>Base Mounted Switch with Door Mounted Handle</b>						
3LD2318-0TK1_	160	580.00	3	40	75	75
3LD2418-0TK1_	250	653.00	3	50	100	75
3LD2318-1TL1_	160	595.00	3 + N	40	75	75
3LD2418-1TL1_	250	668.00	3 + N	50	100	75
<b>Base Mounted Switch with Direct Mounted Handle</b>						
3LD2330-0TK1_	160	550.00	3	40	75	75
3LD2430-0TK1_	250	625.00	3	50	100	75

### Accessories for 160A and 250A Base Mounted Switches

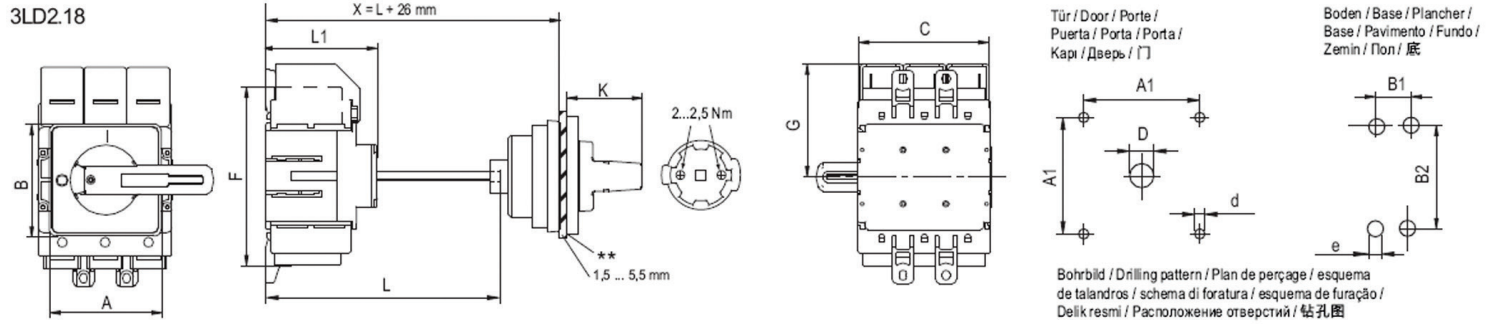
Catalog Number	Description	List Price \$
3LD9240-0C	4th Pole Kit	88.00
3LD9240-2C	Neutral / Ground Terminal Kit	43.00

#### Notes:

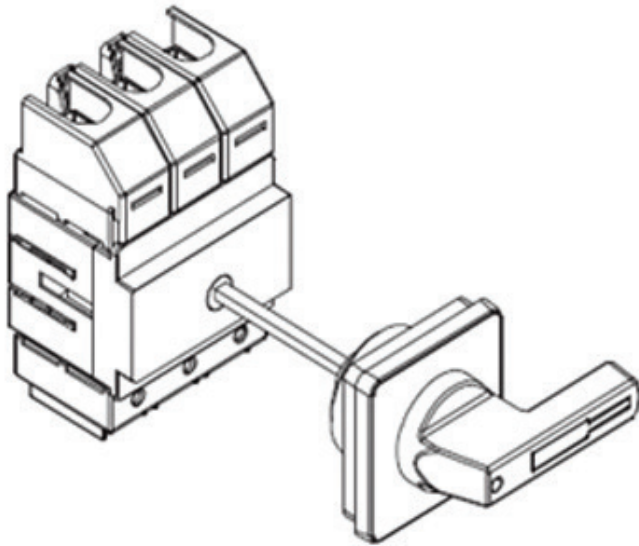
1. Add suffix 1 for a black or 3 for a red & yellow handle to the catalog number.
2. All catalog numbers include the switch, handle, operating shaft and line side terminal covers.
3. Handles are IP65 rated and are also listed by UL for Type1, 4X and 12 applications.

# Dimensional Drawing 3LD2318 / 3LD2418

Base-mounted devices with door-coupling operating mechanism – inches ( mm)



Switch	A	B	A1	B1	B2	C	D	d	e	F	G	K	L	L1	Xmin
3LD2318 & 3LD2418	3.70 (94)	3.70 (94)	2.68 (68)	1.42 (36)	6.46 (164)	4.41 (112)	.51 (13)	22 (5,5)	25 (6,3)	5.83 (148)	3.74 (95)	2.64 (67)	22.62 (574)	4.10 (104)	6.03 (153)



Published by  
Siemens 2018

Siemens Industry, Inc.  
5400 Triangle Parkway  
Norcross, GA 30092

1-800-241-4453  
info.us@siemens.com

Order No. SSPN-DIMSS-0118-CP  
Printed in USA  
All Rights Reserved  
© 2018, Siemens Industry, Inc.  
[usa.siemens.com/switches](http://usa.siemens.com/switches)

The technical data presented in this document is based on an actual case or on as-designed parameters, and therefore should not be relied upon for any specific application and does not constitute a performance guarantee for any projects. Actual results are dependent on variable conditions. Accordingly, Siemens does not make representations, warranties, or assurances as to the accuracy, currency or completeness of the content contained herein. If requested, we will provide specific technical data or specifications with respect to any customer's particular applications. Our company is constantly involved in engineering and development. For that reason, we reserve the right to modify, at any time, the technology and product specifications contained herein.