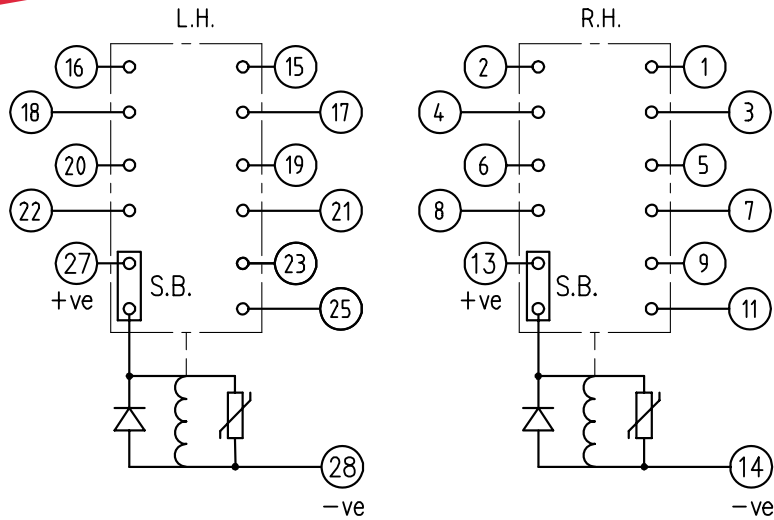


LOOKING ON FRONT OF RELAY

COIL CONNS. ARE AS

2112W50242

**FOR INFORMATION ONLY
UNCONTROLLED COPY
NOT SUBJECT TO UPDATE**



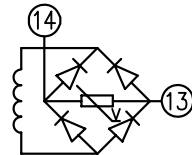
**DATE 04/05/2020
Printed on
IF IN DOUBT ASK**

KEY

- make contact
- break contact
- c/o contact
- ext. conn
- plug bridge - shorting
- metering point
- 5Kv barrier
- test socket - shorting
- plug & socket

CONTACT CONFIG.		OUTPUT CONTACT PAIR / TERMINAL No.					
R.H. →		1-3	2-4	5-7	6-8	9-11	10-12
L.H. →		15-17	16-18	19-21	20-22	23-25	24-26
5M	1SB	M	M	M	M	M	
4M	1B 1SB	M	B	M	M	M	
3M	2B 1SB	B	B	M	M	M	
2M	3B 1SB	B	B	M	B	M	
1M	4B 1SB	B	B	B	B	M	
	5B 1SB	B	B	B	B	B	

NOTE: WHEN RECTIFIER IS SPECIFIED COIL CONNS. ARE AS SHOWN.



FRAME REFERENCE: E4FS09.

FRAME TERMINAL BLOCK ASSY: -

ASSEMBLY INSTRUCTIONS: -

TYPICAL ASSEMBLY DRAWING 2995G10032.

AT INDICATED POSITIONS FIT AS FOLLOWS:

T - FIT TRIP ISOLATION CONTACT 2995B10053

S - FIT STANDARD CONTACT 2995B10054

SECURE CONTACTS USING FIXING SCREW

2109F99009.

POSITIONS SHOWN BLANK ARE UNUSED

2	T	T	1
4	T	T	3
6	T	T	5
8	T	T	7
10		T	9
12		T	11
14	S	S	13
16	T	T	15
18	T	T	17
20	T	T	19
22	T	T	21
24		T	23
26		T	25
28	S	S	27

VIEW FROM NUMBERED SIDE OF BLOCK

OUTER TERMINAL BLOCK ASSY: -

ASSEMBLY INSTRUCTIONS: -

TYPICAL ASSEMBLY DRAWING 2995G10029.

AT INDICATED POSITIONS FIT AS FOLLOWS:

S - FIT STANDARD CONTACT 2995B10051

HC - FIT 'HEAVY CURRENT' KIT 2995G10030

WHERE IS SHOWN FIT CT SHORTING

KIT 2995G10031

POSITIONS SHOWN BLANK ARE UNUSED.

ALL POSITIONS FIT SCREW 2106F12506.

2	S	S	1
4	S	S	3
6	S	S	5
8	S	S	7
10		S	9
12		S	11
14	S	S	13
16	S	S	15
18	S	S	17
20	S	S	19
22	S	S	21
24		S	23
26		S	25
28	S	S	27

VIEW FROM INSIDE FACE

Title: T.B. AND W.D. FOR AR212SD 6 CONTACT RELAYS IN EPSILON E4 CASE.			First used on:		
16/01/14			Similar Articles:		
ISSUE DATE MOD.No.			Supersedes:		
SIEMENS PROTECTION DEVICES LTD.			Original Scale. Drg.No.		
			2112W50242		
DRAWN: J.BURNETT		CHECKED:	APPROVED: N.CAMPBELL	DATE: 17/01/2014	IE:
				OPS:	