

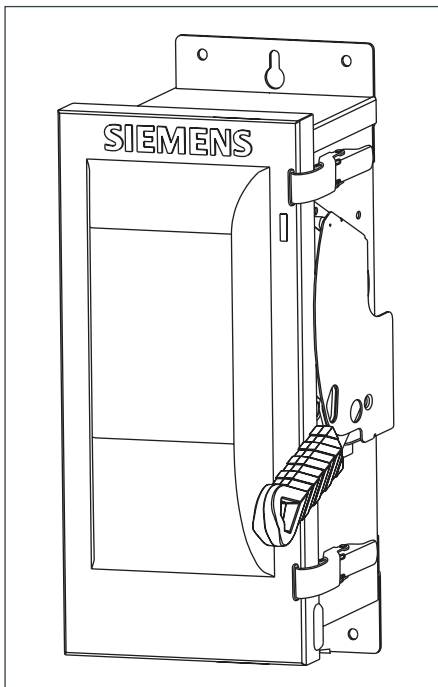
# SIEMENS

Data Sheet

## VBI Heavy Duty Safety Switch

60A, 600V, Type 4/4X

[usa.siemens.com/switches](http://usa.siemens.com/switches)



### Standards and Ratings

- UL Listed under file #E4776
- Meets UL98 for switches and UL 50 for enclosures
- Meets NEMA Standard KS-1 for enclosed switches
- Meets NEC wire bending space requirements
- Rated 10,000 AIC as standard or 100,000 AIC when protected by Class R, T or J fuses rated 60 amp maximum
- I<sup>2</sup>t rated (Amps<sup>2</sup> x Seconds = 200,000)
- 12X overload current rating exceeds 10X industry standard
- Suitable for use as service entrance equipment
- Includes internal shields which meet NEC 2020 230.62 line side barrier requirements

### Features

- Quick-make and break switching action
- Double break visible blade design
- Highly visible ON/OFF indication
- Rugged installer friendly enclosure design
- Modular design allows quick and easy replacement of parts
- Front removable lugs which can easily be converted to copper body or compression type lugs
- Defeatable dual cover interlock

# Product Specifications

## Heavy Duty 60A, 600V Type 4/4X

### General Information

Catalog Number	Volts	Description	Shipping Weight (lbs.)
HNF362SH	600V AC, 250V DC	3 Pole, 3 Wire, Non-Fusible	13

### Horsepower Ratings – 600 Volts

Catalog Number	3 Phase, 480V AC		3 Phase, 600V AC		250V DC
	Std	Max	Std	Max	
HNF362SH	—	50 <sup>1</sup>	—	40	10

### Mechanical Lug Wire Range (60/75°C, Cu/Al)

Description	Wire Range
Line	#12-3 AWG (Al) or #14-3 AWG (Cu)
Load, Neutral	#12-2 (Al) #14-2 (Cu)
Ground	#14-4 AWG

### Accessories

Catalog Number	Description
HA161234	One Normally Open and Closed Auxiliary Switches
HA261234	Two Normally Open and Closed Auxiliary Switches
HA361234	Low Voltage Auxiliary Switch
HG61234	Equipment Ground Lug Kit
HG261234	Isolated Equipment Ground Lug Kit
HN612	Neutral Kit
HLC612	Copper Lug Kit (9 lugs per kit)
HCL612	Compression Lug Neutral Barrier Kit
SSH075	0.75" Type 4/4X Hub
SSH100	1.00" Type 4/4X Hub

### Replacement Parts

Catalog Number	Description
HNB612	Non-Fusible Replacement Base
HH6123S	Replacement Handle/Handle Guard
HL612	Replacement Lugs (3 lugs per kit)
HM6123S	Replacement Mechanism
2	Replacement Door

### Compression Lugs<sup>3</sup>

Wire Size	Burndy		Thomas-Betts		Ilsco	
	CU Only	CU/AL	CU Only	CU/AL	CU Only	CU/AL
#14-10	—	—	—	60096 60097	—	—
#8	YA8C-L BOX YA8C-L1 BOX	—	54104 54130	60101 60102 61102	CRA-8	ACL-8 ACN-8
#6	—	—	—	61107	—	—

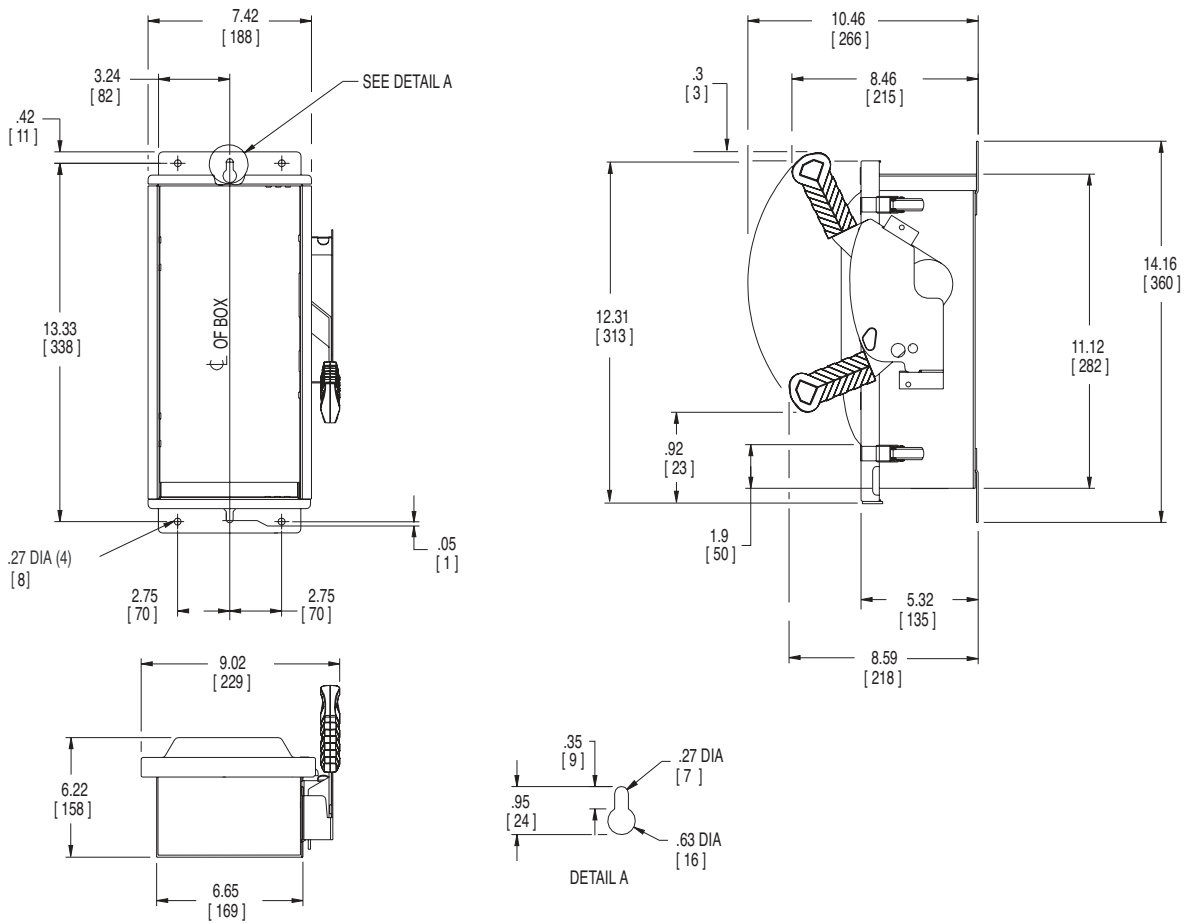
<sup>1</sup> Also rated 20 HP on 3 Phase, 240V AC systems.

<sup>2</sup> Place "Door" at the end of the switch catalog number.

<sup>3</sup> If compression lugs are used for the neutral, order compression lug neutral barrier kit HCL612.

# Dimension Drawings

## Heavy Duty 60A, 600V Type 4/4X



No knockouts in enclosures.  
 Dimensions shown in inches and millimeters ( ).  
 Dimension shown accurate to  $\pm \frac{1}{8}$  inch.

	LINE SIDE WIRE BEND	LOAD SIDE WIRE BEND
Non-Fused	3.02 (77)	4.11 (104)

Enclosure: 304 Stainless Steel  
 .055 Thick (17 Gauge)

**Published by**  
**Siemens Industry, Inc. 2021.**

Siemens Industry, Inc.  
 3617 Parkway Ln  
 Peachtree Corners, GA 30092

For more information, please contact  
 our Customer Support Center.  
 Phone: 1-800-241-4453  
 E-mail: info.us@siemens.com

[usa.siemens.com/switches](http://usa.siemens.com/switches)

Order No.: SSDS-HN6SH-0521  
 Printed in U.S.A.  
 © 2021 Siemens Industry, Inc.

The technical data presented in this document is based on an actual case or on as-designed parameters, and therefore should not be relied upon for any specific application and does not constitute a performance guarantee for any projects. Actual results are dependent on variable conditions. Accordingly, Siemens does not make representations, warranties, or assurances as to the accuracy, currency or completeness of the content contained herein. If requested, we will provide specific technical data or specifications with respect to any customer's particular applications. Our company is constantly involved in engineering and development. For that reason, we reserve the right to modify, at any time, the technology and product specifications contained herein.