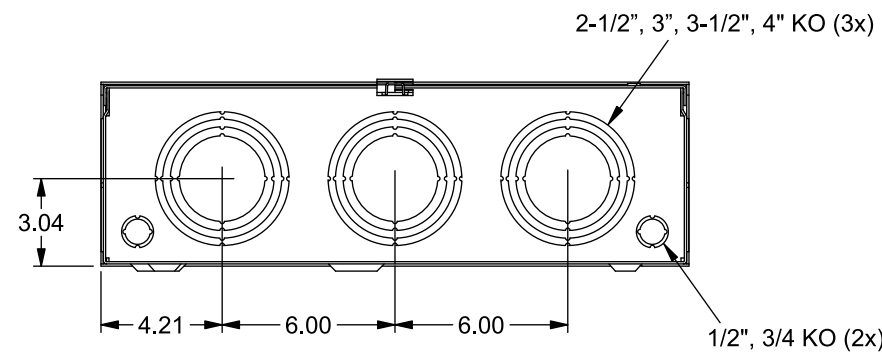
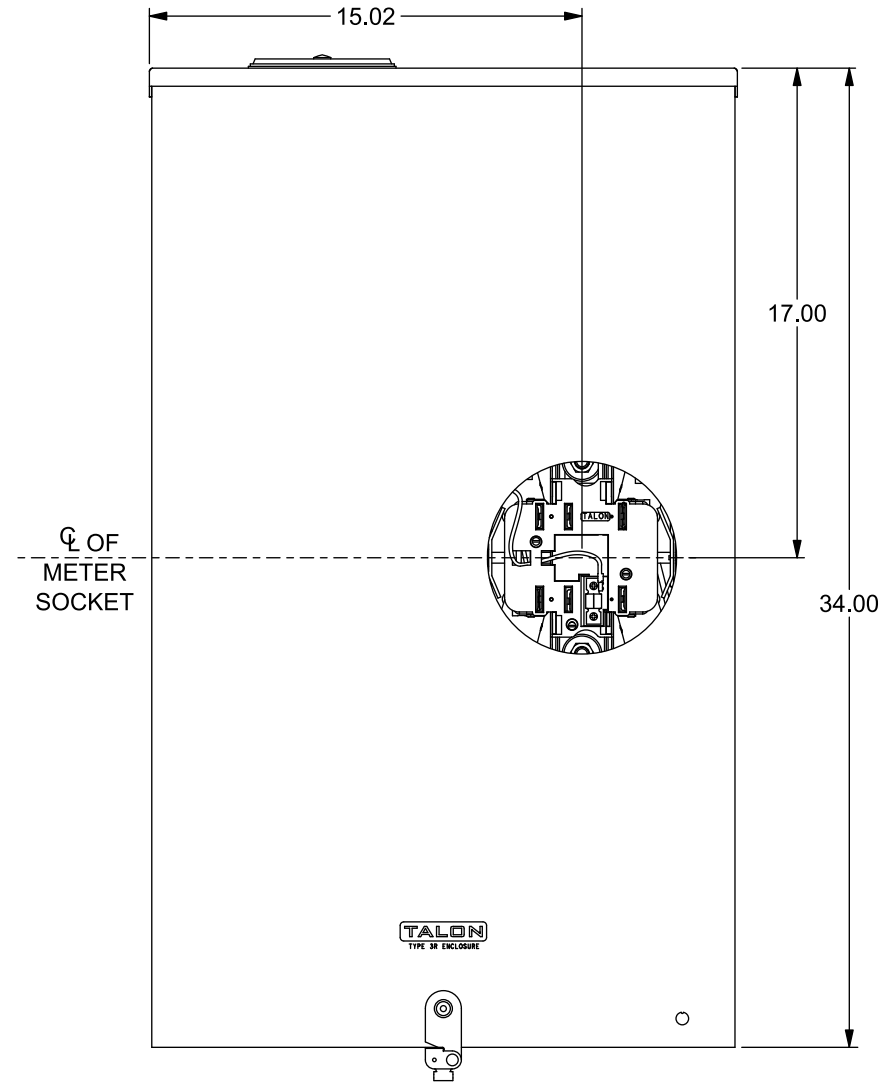
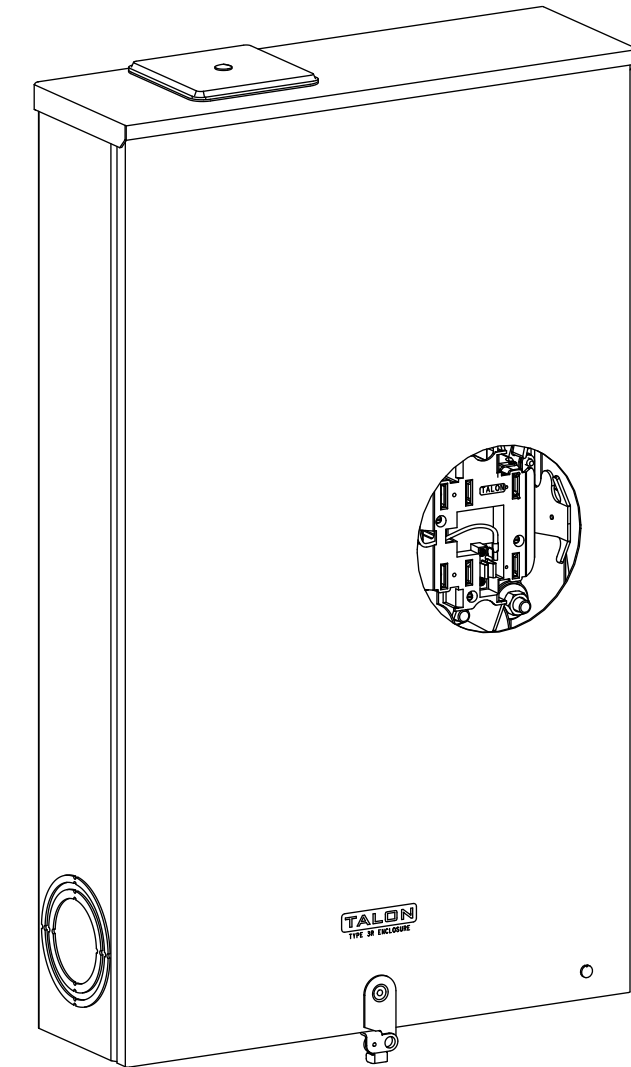
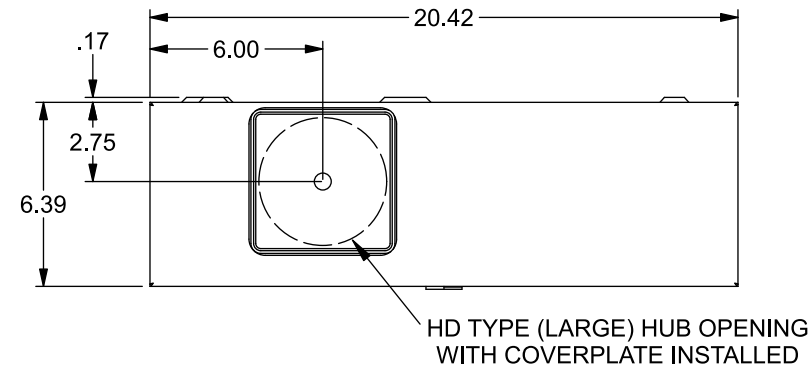


Catalog Number: 44707-02PP

Features and Ratings

- Ringless Type Meter Socket
- 320A Continuous, 400A Max., 600V AC
- Outdoor Enclosure (Type 3R)
- Painted G90 Steel Enclosure
- 3 Phase
- 7 Jaw, Lever Bypass Meter Socket
- Meter Socket Type HQ-7DSW
- For Overhead & Underground Service
- HD Type Hub Opening w/Large Coverplate
- Side Wired



Accessories

CONDUIT HUBS (HD Type)	
TRADE SIZE	CATALOG No.
3 INCH	EC56856 or H56856-2
3-1/2 INCH	EC56857 or H56857-2
4 INCH	EC56858 or H56858-2
Hub Cover Plate	EC56933 or H56933S

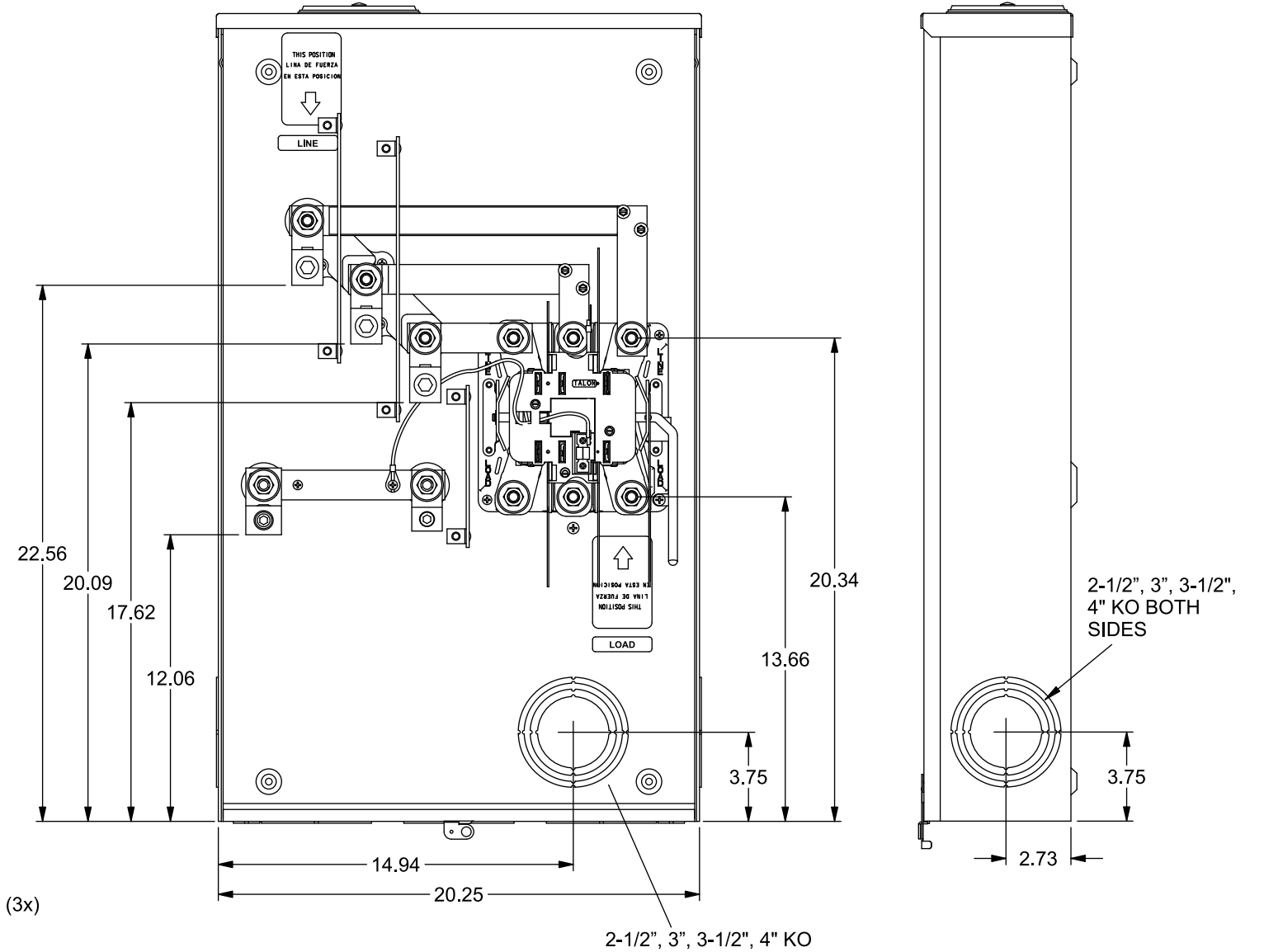
Meter Opening Cover Plate
Cat No: H659-0162

Connectors, Wire Sizes and Torques

RECOMMENDED CONNECTORS			
Tightening torque for connector mounting nuts is 250 lb-in			
LOCATION	PART NO.	WIRE SIZE	TORQUE
NEUTRAL	37892	#4-500 kcmil	500 LB-IN
LINE	H56476	#3/0-800 kcmil	500 LB-IN
LOAD	H56732	(2)#4-350 kcmil	275 LB-IN
GROUND	56734	#6-250 kcmil	250 LB-IN

Meets 400 Amp wire bending using up to (2) 250 kcmil

VIEW SHOWN WITH COVER REMOVED



© 2019 Copyright Siemens Industry, Inc.

TALON
Meter Socket

Description: **320A Cont, 7 Jaw, HQ-7DSW, 600V AC, Painted Steel Enclosure**

KAM 6/12/19 DO NOT SCALE DRAWING Dwg No: **44707-02PP**