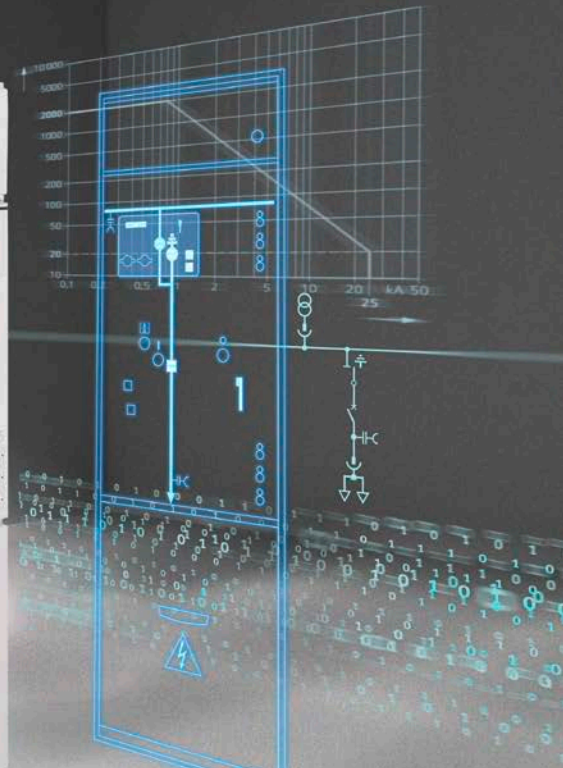


SIEMENS

Ingenuity for life



up to
36/38 kV



NXPLUS C Wind – The Specialist

Gas-insulated medium-voltage switchgear



When it comes to medium-voltage power distribution, Siemens has developed a wide range of products and solutions, based on experience, innovation, and reliability.

Siemens has a proven track record for delivering gas-insulated medium-voltage switchgear (GIS) for wind farm applications. Fixed-mounted circuit-breaker switchgear NXPLUS C Wind is a factory-assembled, type-tested, metal-enclosed, SF₆-insulated switchgear for single-busbar applications for indoor installation.



Offshore wind power in particular faces many challenges. Conditions during installation, operation, and maintenance may be harsh, and the product requirements are high. From one of the world's first offshore wind farms more than ten years ago to today's largest wind farms, our customers take full advantage of the gas-insulated switchgear technology – with a compact, climate-independent, and maintenance-free design.

There is one thing operators just have to rely on: safe and reliable operation of the wind farm's power grid. Around-the-clock.

Wind turbines in remote areas or in offshore wind farms are often hard to access. In case of harsh weather conditions or rough seas, it can take up to several days

to fix a fault on a wind turbine in an offshore wind farm. This is why switchgear for wind turbines must be particularly reliable. Gas-insulated switchgear from Siemens has been in operation in the first offshore wind parks for more than ten years, at the Middelgrunden, Horns Rev, Rødsand, and Arklow Bay wind farms, for example. Meanwhile, Siemens has delivered more than 11,000 switchgear panels for wind farm applications.

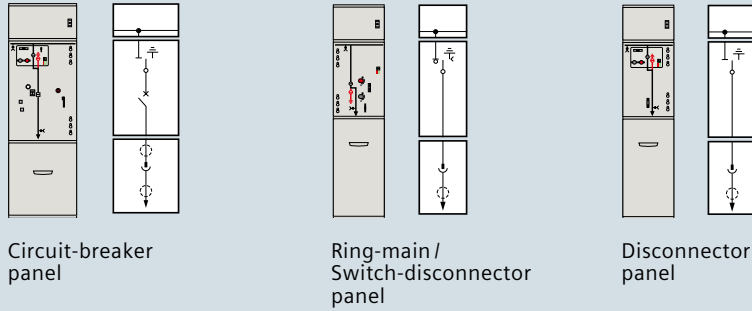
NXPLUS C switchgear from Siemens is based on more than 30 years of experience with gas-insulated switchgear technology and the use of proven components.

Your advantages

- Independent of environment and climate
- Maintenance-free
- Compact
- Safe for operators
- Cost-efficient
- Ecological
- Reliable and safe operation



NXPLUS C Wind Medium-Voltage Switchgear – Product range (The following selection is not complete)



Circuit-breaker panel

Ring-main / Switch-disconnector panel

Disconnecter panel

Technical data of NXPLUS C Wind

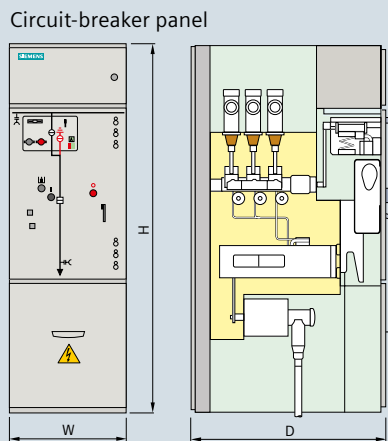
Rated	
Voltage	up to 36 / 38*) kV
Frequency	Hz 50 / 60
Short-duration power-frequency withstand voltage	kV 70
Lightning impulse withstand voltage	kV 170
Short-circuit breaking current	max. kA 25
Short-time withstand current, 1 s	max. kA 25
Short-time withstand current, 3 s	max. kA 20
Short-circuit making current	max. kA 63 / 65
Peak withstand current	max. kA 63 / 65
Normal current for busbar	max. A 1,000
Normal current for circuit-breaker panel	max. A 800
Normal current for disconnecter panel	max. A 1,000
Normal current for ring-main panel	max. A 630

*) Test voltage

Performance features

- Type-tested according to IEC 62271-200
- Sealed pressure system with SF₆ filling for the entire service life
- Safe-to-touch enclosure and standardized connections for plug-in cable terminations
- 1-pole insulated and screened busbar
- 3-pole, gas-insulated switchgear vessels with three-position switch and circuit-breaker
- Operating mechanism and instrument transformers are located outside the switchgear vessel and are easily accessible
- Different optionally solutions or special applications available
- Metal-enclosed, partition class PM
- Loss of service continuity category for switchgear: LSC 2
- Internal arc classification for:
 - Wall-standing arrangement: IAC A FL 25 kA, 1 s
 - Free-standing arrangement: IAC A FLR 25 kA, 1 s

Dimensions of NXPLUS C Wind



Dimensions		Dimensions in mm
Width (spacing)	W	Circuit-breaker panel: 600 Disconnecter panel, switch-disconnector panel, and ring-main panel: 450
Height	H	1,900
Depth	D	1,000

For the U.S. published by Siemens Industry Inc. 100 Technology Drive Alpharetta, GA 30005 United States

Published by Siemens AG Smart Infrastructure Distribution Systems Mozartstraße 31c 91052 Erlangen, Germany

Article No. SIDS-B10012-00-7600 Dispo 30403 | PU184/005550 0719 © 2019 Siemens

Subject to changes and errors. The information given in this document only contains general descriptions and/or performance features which may not always specifically reflect those described, or which may undergo modification in the course of further development of the products. The requested performance features are binding only when they are expressly agreed upon in the concluded contract.

All product designations may be trademarks or other rights of Siemens AG, its affiliated companies or other companies whose use by third parties for their own purposes could violate the rights of the respective owner.