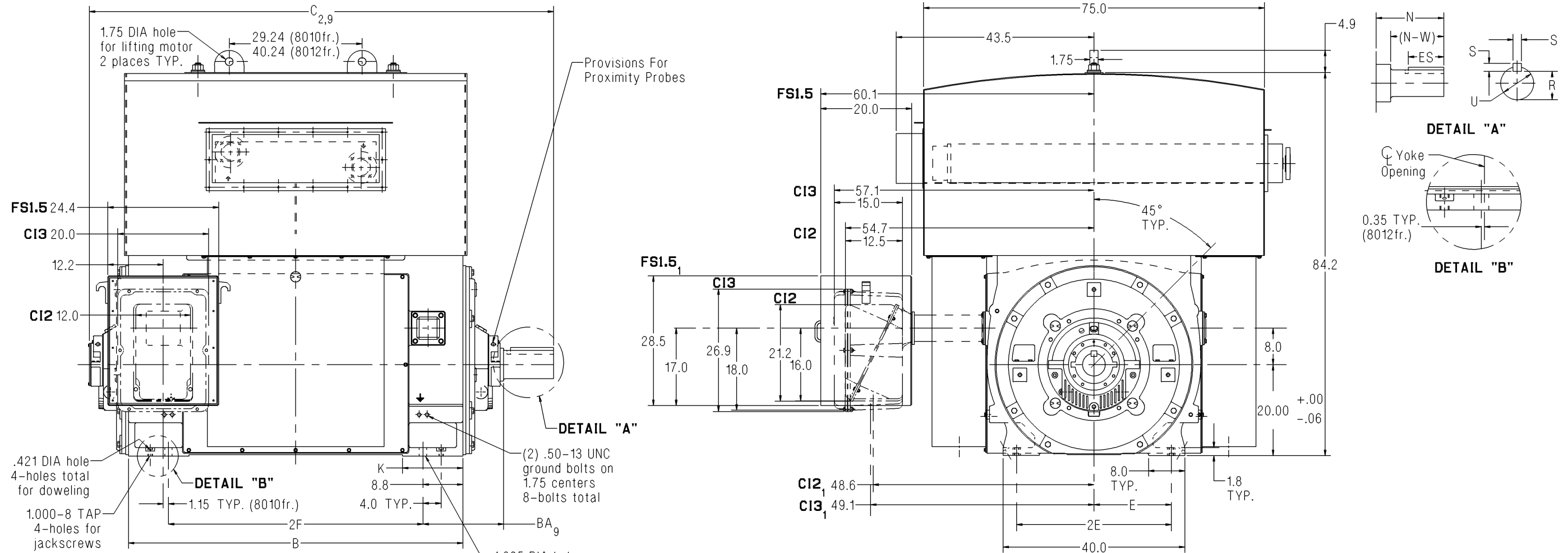


SIEMENS

Dimension Prints for Above NEMA Motors

Type CGG – Horizontal – Totally Enclosed Water to Air Cooled
Sleeve Bearing With Provisions For External Proximity Probes – Direct Connected
Frames 8010 / 8012 – Rotatable Main Conduit Box



- Notes:**
- Main conduit box may be rotated in steps of 90°. A removable bottom plate is supplied on the FS1.5 conduit box. A 5.0 N.P.T. is supplied on the CI2 and CI3 conduit boxes. A 16.0" spacer is supplied on both frames for all rotatable conduit boxes.
 - C = Length of motor from drive end of shaft to end of non-drive end of motor.
 - V = (N-W)-0.25" = length of shaft available for coupling.
 - 2 Pole machines may rotate in one direction only.
 - Shims may be necessary under motor feet for direct connection.
 - Rotor end float = 0.5"
 - End float of LEF coupling = 0.19"
 - Adding a rotating labyrinth seal to the drive end increases BA and C by: 2 Pole: 0.35" 4 Pole & Slower: 0.35" and decreases N by: 2 Pole: 0.20" 4 Pole & Slower: 0.20"
 - When adding a ground brush, consult the factory. (BA and C will increase.)
 - For motors without proximity probes use print CGG_800_2plusPL_SLV_ROT.

Lubrication Per Bearing	
2 Pole	4 Pole & Slower
140-160 SUS @ 100°F	290-350 SUS @ 100°F
6.0 qt. capacity	6.0 qt. capacity

Standard Dimensions in Inches

Shaft	Frame	Speed	B	BA _g	C _{2,9}	E	2F	K	N	(N-W)	R	S	U	V ₃	ES	Approx. Ship Wt. (Lbs)
Short	8010	2 Pole	73.6	17.75	99.8	17.0	56.0	13.3	9.50	8.75	4.296	1.25	5.00	8.50	7.0	21000
Short	8010	4 Pole & Slower	73.6	17.75	102.0	17.0	56.0	13.3	11.75	11.00	5.408	1.50	6.25	10.75	9.5	21900
Short	8012	2 Pole	88.6	17.75	114.8	17.0	71.0	14.8	9.50	8.75	4.296	1.25	5.00	8.50	7.0	25800
Short	8012	4 Pole & Slower	88.6	17.75	117.0	17.0	71.0	14.8	11.75	11.00	5.408	1.50	6.25	10.75	9.5	26800

Certification: Customer _____ P.O. _____ S.O. _____ Item _____
 HP _____ RPM _____ Frame _____ PH/HZ/Volts 3/_____/_____/_____ Terminal Box Size CI2 CI3 FS1.5
 By _____ Date _____
 Comments _____
 Not for construction, installation or application purposes unless certified.

CGG_800_2plusPL_SLVPRB_ROT
Revision 02
01/26/09