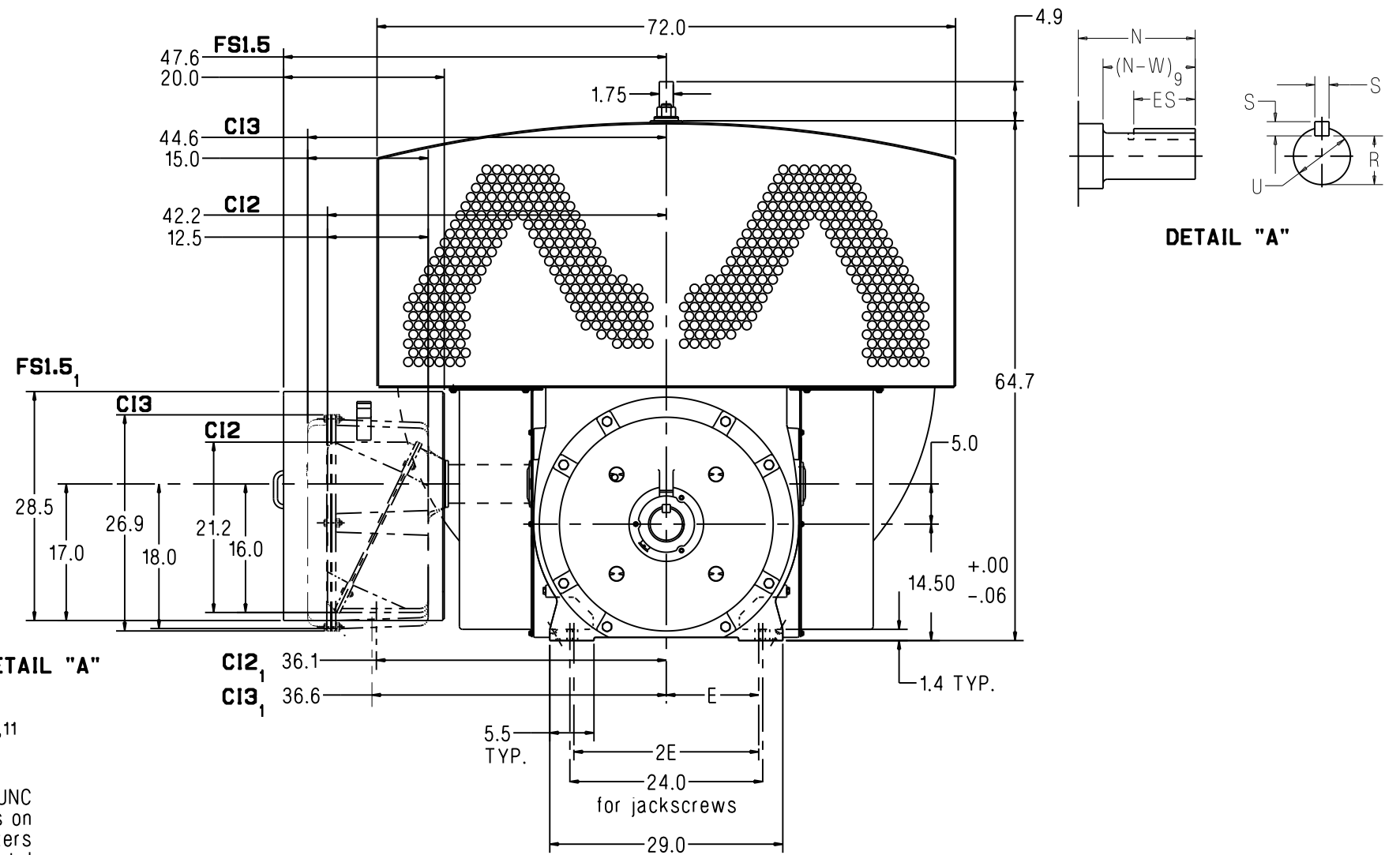
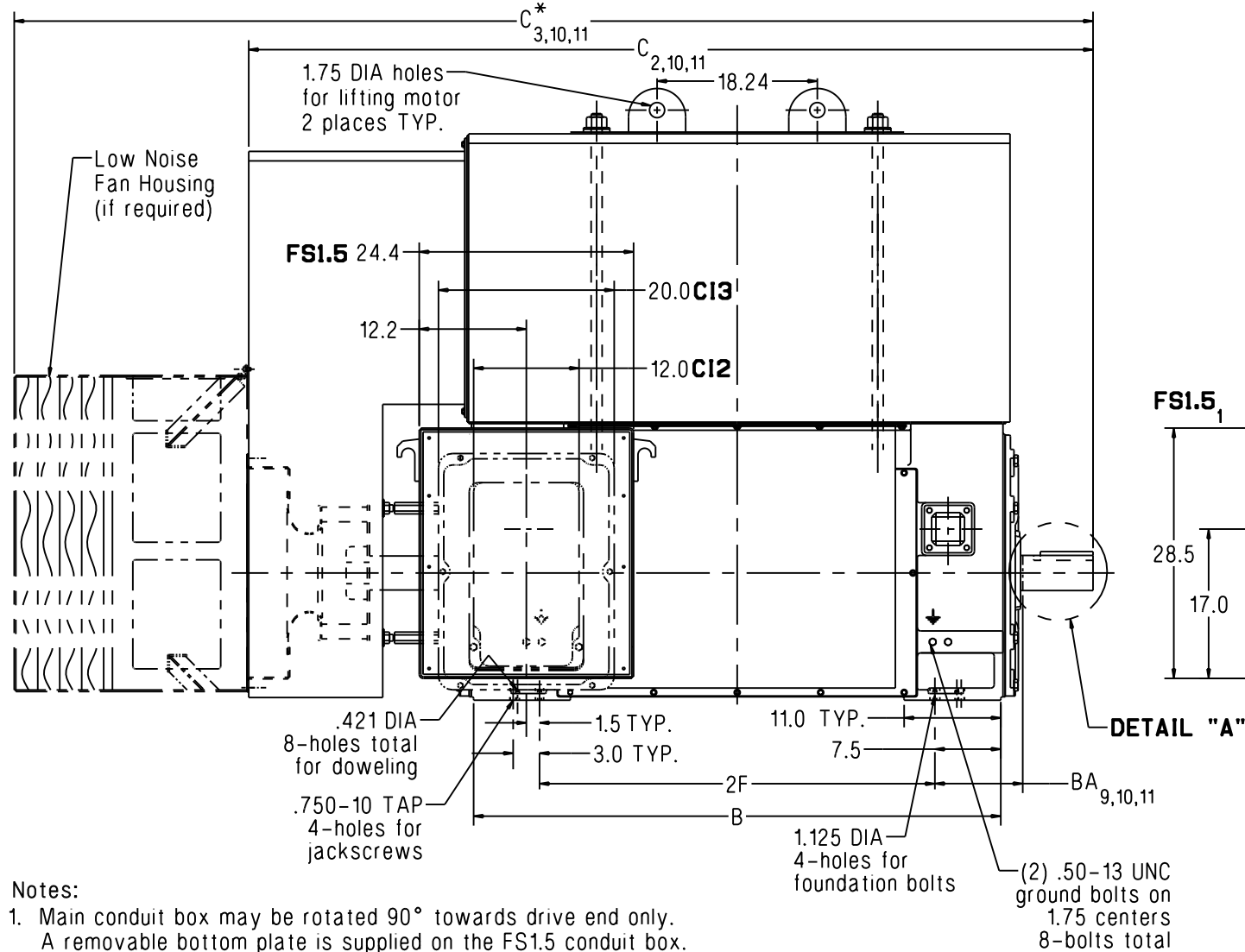


Dimension Prints for Above NEMA Motors



Notes:

1. Main conduit box may be rotated 90° towards drive end only.
A removable bottom plate is supplied on the FS1.5 conduit box.
A 5.0 N.P.T. is supplied on the CI2 and CI3 conduit boxes.
A 10.75" spacer is supplied on the 5812 frame for all rotatable conduit boxes.
2. C = Length of motor from drive end of shaft to end of standard fan housing.
3. C* = Length of motor from drive end of shaft to end of low noise fan housing.
4. $V = (N-W) - 0.25$ " = length of shaft available for coupling. Note: When adding a rotating labyrinth seal, (N-W) will change so V will change accordingly.
5. Machines rotate in one direction only.
6. Shims may be necessary under motor feet for direct connection.
7. Approximate ship weight is based on standard aluminum cooling tubes.
8. Short shaft or long shaft is for direct connection.
9. Adding a rotating labyrinth seal to the drive end increases BA and decreases (N-W) by:
4 Pole & Slower: 0.28" Long Shaft 4 Pole & Slower: 0.28"
10. Adding a ground brush increases BA, C, and C* by:
4 Pole & Slower: 2.50" Long Shaft 4 Pole & Slower: 2.50"
11. Adding a ground brush with rotating labyrinth seal increases BA, C, and C* by:
4 Pole & Slower: 2.75" Long Shaft 4 Pole & Slower: 2.75"
12. 2 Pole Machine limited to maximum of 1750 HP.

Standard Dimensions in Inches

Shaft	Frame	Speed	B	BA _{9,10,11}	C _{2,10,11}	C* _{3,10,11}	E	2F	N	(N-W) ₉	R	S	U	V ₄	ES	Approx. Ship Wt. (Lbs) ₇
Short ₁₂	5812S	2 Pole	60.0	10.00	95.4	121.4	11.50	45.0	7.00	6.75	2.450	0.750	2.875	6.50	5.0	10100
Short	5812S	4 Pole & Slower	60.0	10.00	96.6	122.6	11.50	45.0	8.25	8.00	3.436	1.000	4.000	7.75	6.0	10100
Long	5812	4 Pole & Slower	60.0	10.00	103.2	129.2	11.50	45.0	14.90	14.62	4.169	1.250	4.875	14.38	13.0	10100

Certification: Customer _____ P.O. _____ S.O. _____ Item _____
 HP _____ RPM _____ Frame _____ PH/HZ/Volts 3/_____/_____
 By _____ Date _____ Terminal Box Size CI2 CI3 FS1.5
 Comments _____
 Not for construction, installation or application purposes unless certified.