

Features and Ratings

- 125 Amps, 1 Phase, 3 Wire, 120/240V ~
- 8 - 1" Positions, 16 Circuits Max.
- Type N1 Indoor Enclosure
- Surface Trim
- Aluminum Bus Bars
- Ground Bar Factory Installed

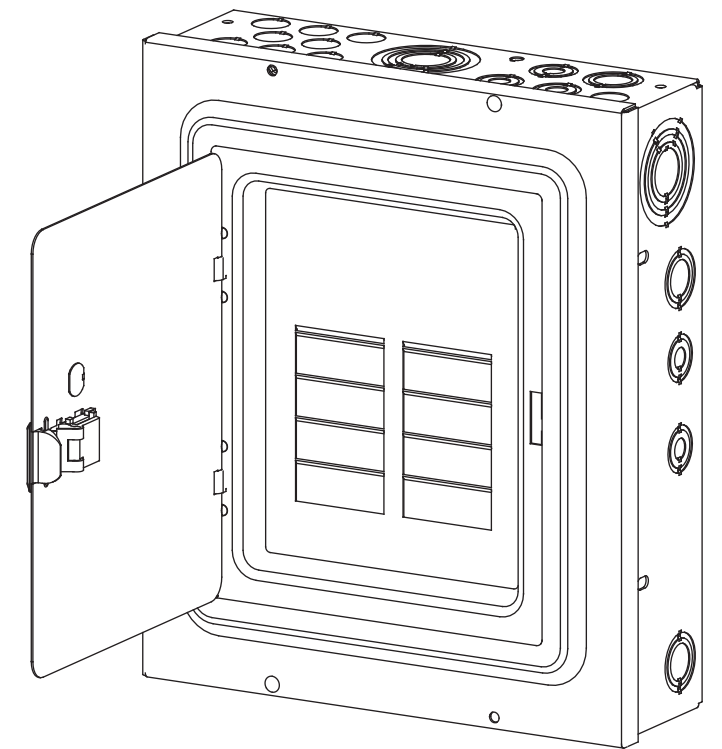
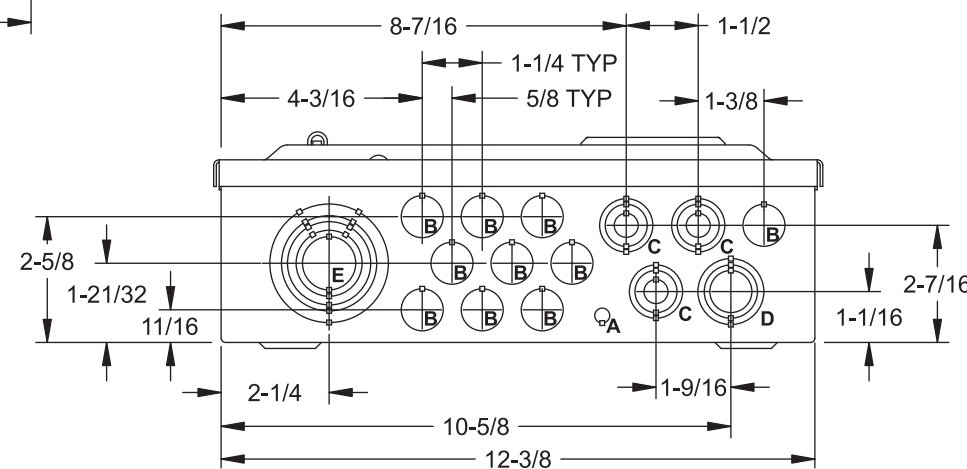
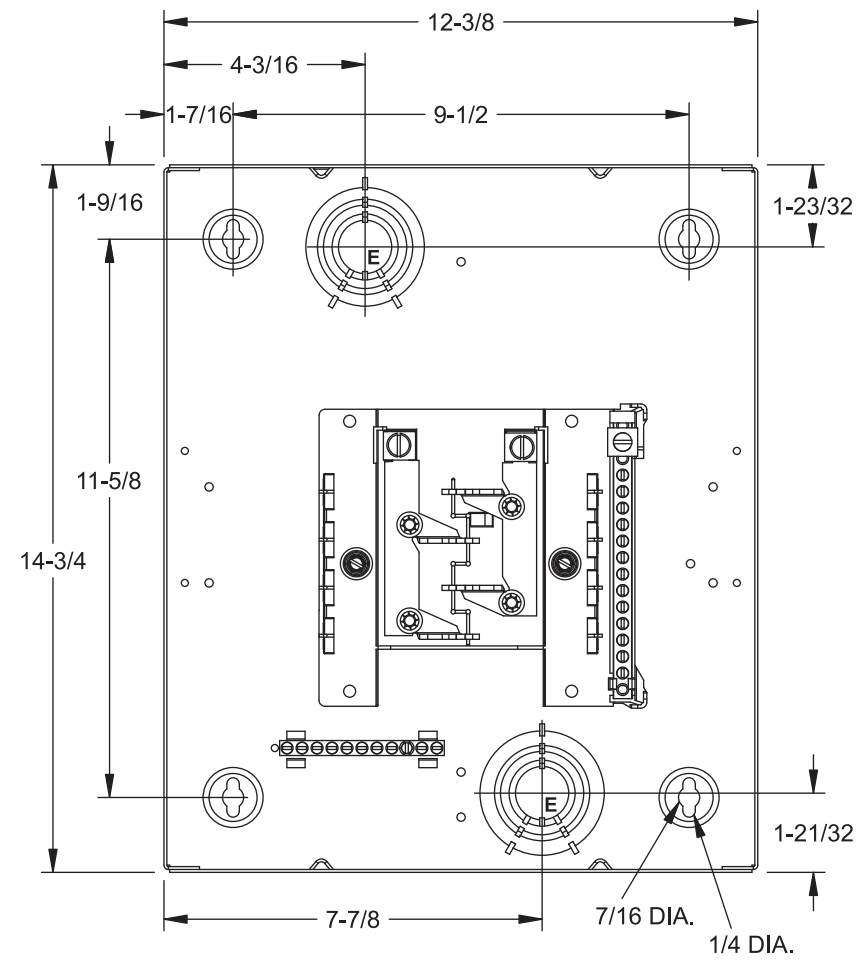
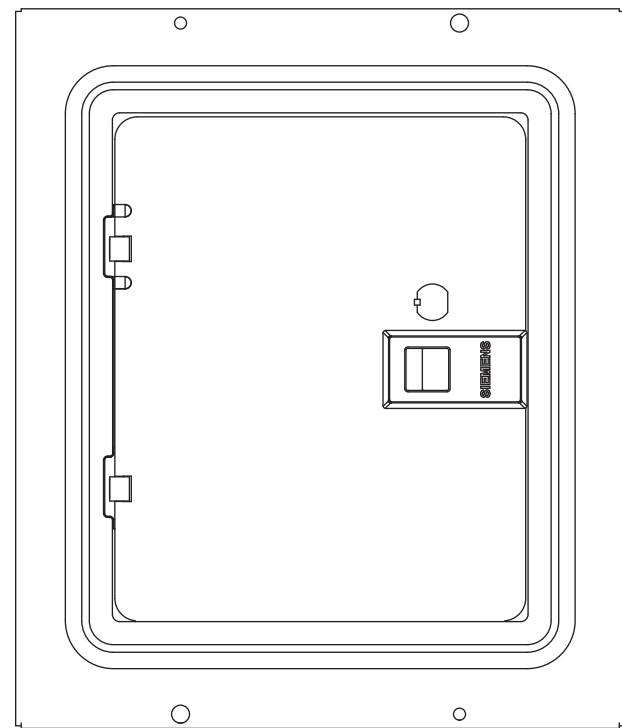
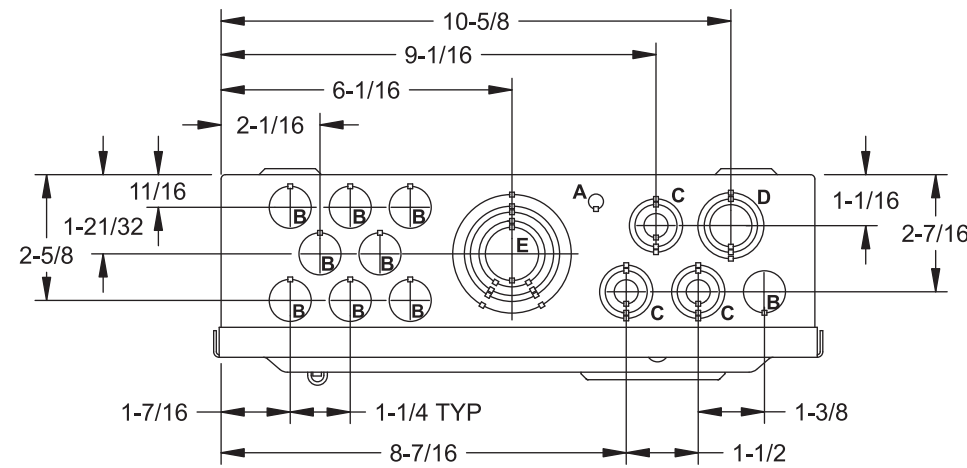
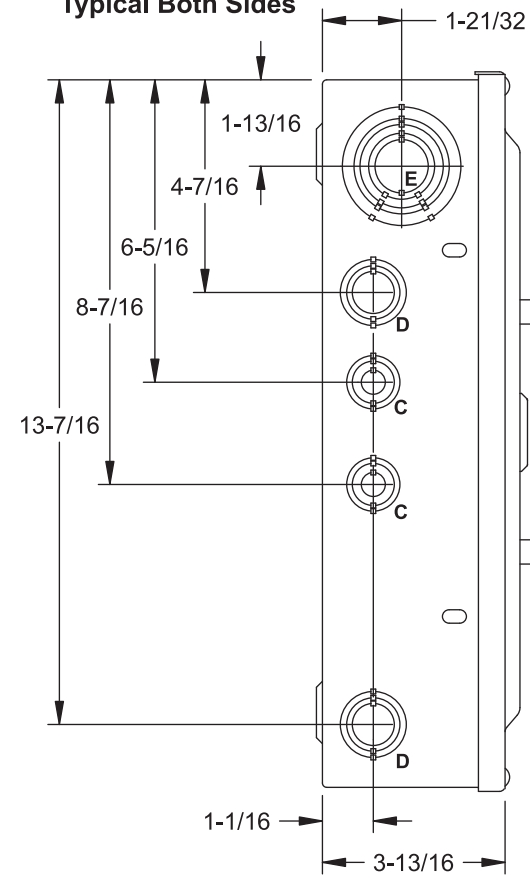
KNOCKOUT CHART

KO Designation	Conduit Size
A	KO Size = .313" DIA.
B	1/2"
C	1/2", 3/4"
D	1/2", 3/4", 1"
E	3/4", 1", 1-1/4", 1-1/2", 2"

E0816ML1125SGP

View Shown without Trim/Door

Dimensions and Kos
Typical Both Sides



© 2012 Copyright Siemens Industry, Inc.

SIEMENS
Siemens Industry, Inc.

Indoor Load Center

Description: **1 Phase, Surface Trim,
8 Position, 16 Ckt, Main Lug Cut Sheet**

KAM 5/30/12 DO NOT SCALE DRAWING Dwg No: **E0816ML1125SGP**