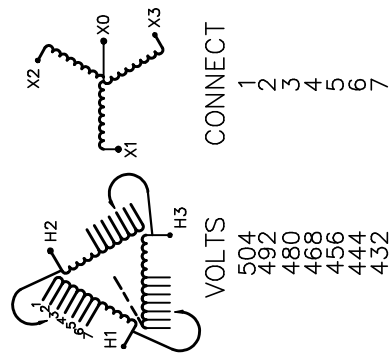


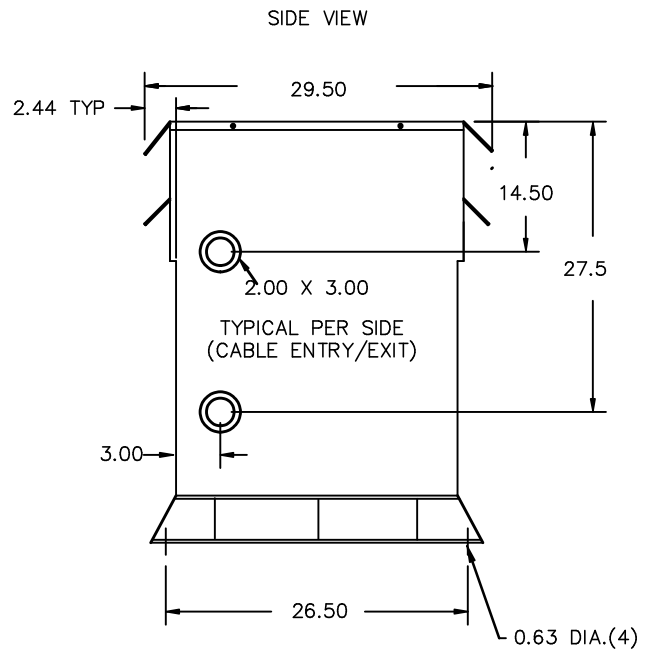
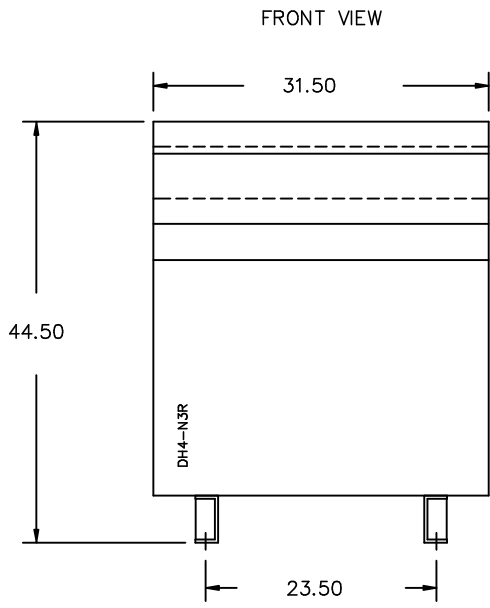
REVISION	DATE	BY	DATE	BY
			18/03/22	PP
		DRAWN		
		CHEK'D		
		VERIF'D		

CUSTOMER		Siemens Industry, Inc.	
ORDER NO.	DWG. NO.		
	3F6Y150D16		SH 1 OF 3

SIEMENS

<p>CATALOG NO. 3F6Y150D16 SERIAL NO. 150 kVA 60 Hz 3 PHASE 5.2 % IMP AT 170 °C</p>	<p>SERIES H 30 °C AVG. AMBIENT 40 °C MAX. AMBIENT PRIMARY (H1 H2 H3) 480V V 10 kV BIL SECONDARY(X0 X1 X2 X3) 380Y/219V V 10 kV BIL</p>		<p>TYPE K DRY TYPE TRANSFORMER E112313 LR 3902</p>
<p>WINDING MATERIAL AL ENCLOSURE TYPE 3R WEIGHT 945 LBS ENERGY EFFICIENCY EXCEEDS CSA D0E 10 CFR PART 431:2016 C802.2-2012</p>		<p>UL LISTED SEISMIC QUALIFICATIONS, FLOOR MOUNT ONLY OSP-0136-10 IBC 2012/ASCE 7-10 SDS<=2.0g Z/h=1 Ip=1.5</p>	
<p>SPACINGS BETWEEN ANY VENTILATED ENCLOSURE PANEL AND ANY ADJACENT WALL SHALL BE A MINIMUM OF 5 INCHES EXCEPT WHEN WALL MOUNTED USING APPROVED WALL MOUNTING KIT</p> <p>SUITABLE FOR INDOOR OR OUTDOOR LOCATIONS BEFORE HANDLING, INSTALLING AND OPERATING, SEE INSTRUCTION MANUAL</p> <p>NEMA Class ANN Dry Type Transformer Siemens Industry, Inc. Norcross, GA dsu0086e</p>			





All Dimensions in inches

ENCLOSURE COLOR :ANSI 61 GREY – OUTDOOR

HV TERMINAL DETAIL

LV TERMINAL DETAIL

MECHANICAL TYPE LUGS INCLUDED
SUITABLE FOR 350MCM-6 CU/AL
CONDUCTORS
1 CONDUCTOR PER PHASE

MECHANICAL TYPE LUGS INCLUDED
SUITABLE FOR 600MCM-2 CU/AL
CONDUCTORS
1 CONDUCTOR PER PHASE

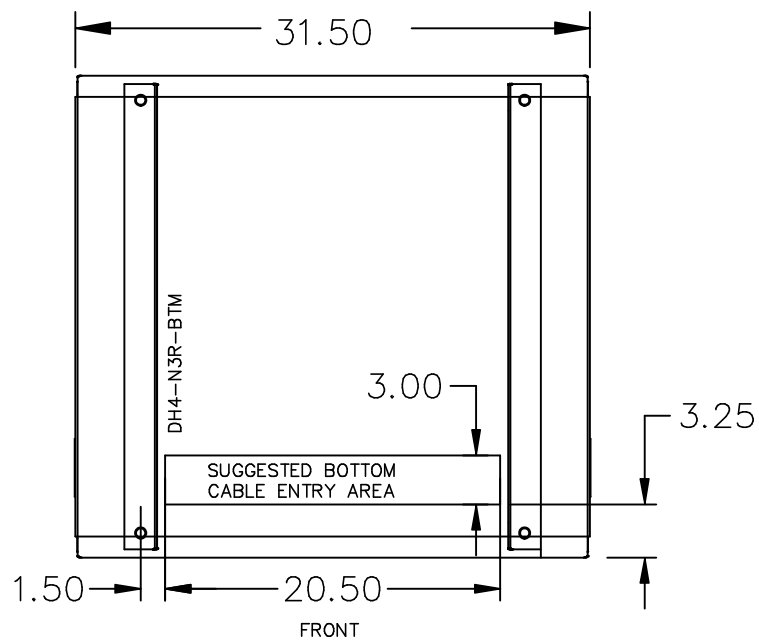
- CUSTOMER NOTES:
- HV TERMINATED AT TOP FRONT
 - LV TERMINATED AT BOTTOM FRONT

Siemens Industry, Inc.

REVISION	DATE	BY	DATE	BY
			18/03/22	PP
			CHEK'D	
			VERIF'D	

CUSTOMER		
ORDER NO.	DWG. NO.	
	3F6Y150D16	SH 2 OF 3

ENCLOSURE BOTTOM VIEW



NOTE:
 WHEN BOTTOM CABLE ENTRY IS OPTED, THE SPACE USED FOR CONDUITS IN THE FRONT OF THE TRANSFORMER SHOULD NOT OBSTRUCT MORE THAN 50% OF THE FRONT AIR INTAKE AREA DEFINED BETWEEN THE BOTTOM PLATE AND THE SUPPORTING LEGS.
 SEE MANUAL FOR ADDITIONAL INFORMATION

Siemens Industry, Inc.

REVISION	DATE	BY	DATE	BY	CUSTOMER		
			18/03/22	PP			
			CHEK'D				
			VERIF'D				
					ORDER NO.	DWG. NO.	
						3F6Y150D16	SH 3 OF 3