

SIEMENS

Siemens Energy And Automation Inc.
Bellevue, Ohio 43311 - USA

PC. NO. 62152A00

©Siemens Energy & Automation, Inc. 1986 (B)

Cat. No. TCIQ250

For Use With: I-T-E® TYPES
QJ, QJ2, QJH2, QJ2-H OR HQJ2H
Circuit Breakers And
MOLDED CASE SWITCHES

Page 1 of 1.

Installation Instructions



⚠ DANGER

Hazardous Voltage.
Will cause death or
severe injury.

Turn off and lock out power
supplying device before
installing.

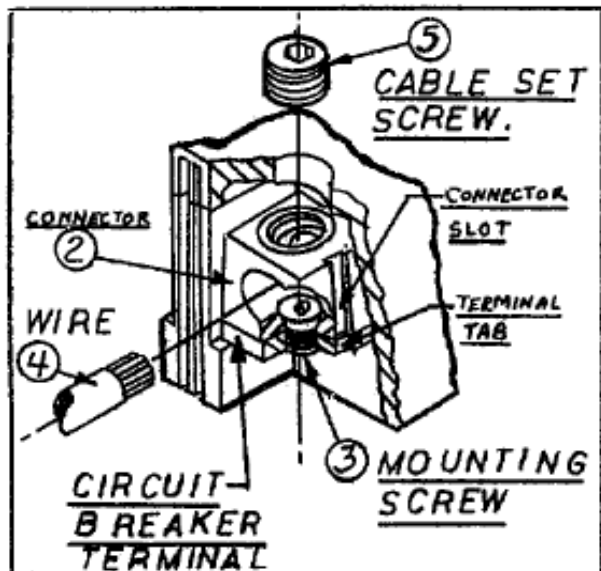
⚠ SAFETY INSTRUCTIONS

Note: This instruction outlines the recommended installation. The terminals have been tested per UI-486 A with standard stranded cable.

WARNING: These connectors are for copper cable only!

- ① Turn off and lock out power feeding this circuit breaker, before working on circuit breaker.
- ② Place connector on circuit breaker terminal. Position so slots on the connector engages terminal tabs. (See illustration).
- ③ Pass mounting screw through connector (see illustration) and thread screw into circuit breaker terminal. Tighten mounting screw to 150 inch pounds. (7/32 internal hex).

- ④ Carefully remove 13/16 of wire insulation from end of wire and fully insert bare end of wire into connector
- ⑤ insert and tighten cable set screw (5/16 internal hex). Tighten to the appropriate value from table below.
- ⑥ Remove backing from the TCIQ250 torque label and carefully place it over the top of the TAIQ300 torque information



WIRE MATERIAL	WIRE SIZE	CABLE SET SCREW TIGHTENING TORQUES
CU.	6 AWG	120 IN. LBS.
	4 AWG	200 IN LBS.
	3 AWG - 250 KCMIL	250 IN LBS.
60°/75° C WIRE		