

P2 Panelboard Kit BBKQ1 For Branch Mounting of QJ Breakers

Installation Instructions

DEADFRONT MODIFICATIONS AND PANEL RE-ASSEMBLY

10. Refer to figure 4. - Identify the dead front area that will cover the 6" kit unit space. Measure the unit space locating dimension D directly from the dead front end plate as shown.

11. Remove any full width plate and any center strip covering the dead front area for the 6" kit unit space. Fasten the QJ branch deadfront plate (item 7) to the dead front side rails with four 8-32 screws (item 9). The plate can be inverted from the standard orientation shown, to place the cut-out in the lower portion of the plate for applications where a 2-pole breaker is mounted in the "lower" position in a 3 ϕ kit installation.

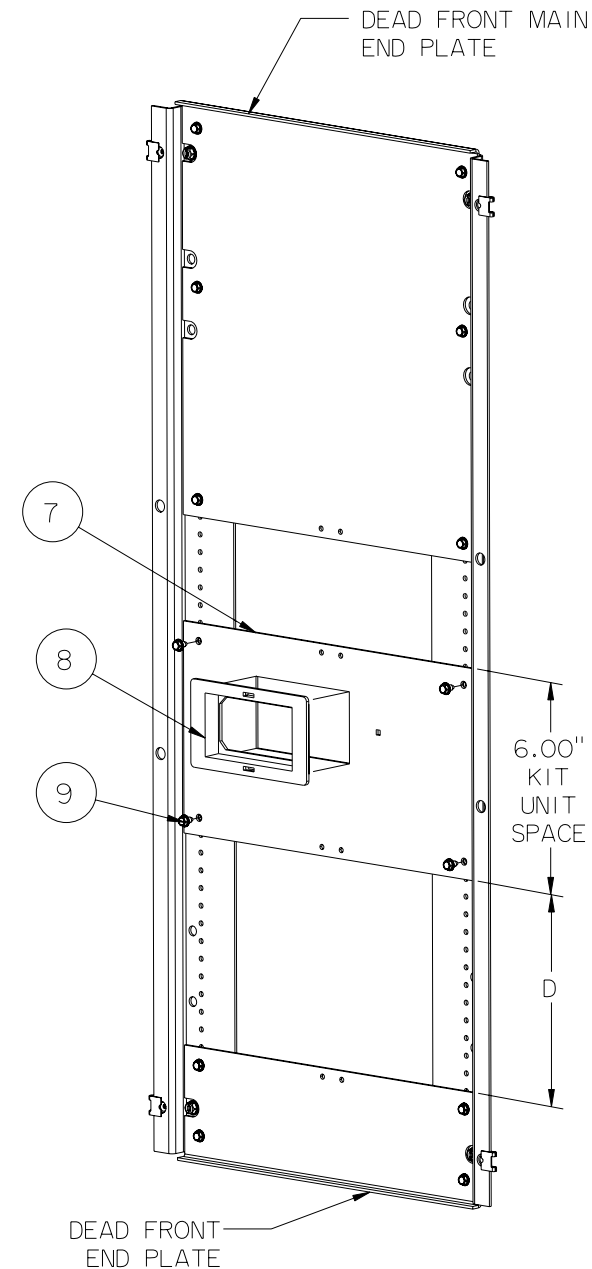
12. If the installed kit does not completely fill the unit space of removed modules, a dead front filler plate kit is required to cover unit space where no branch components are installed. Use kit DFFP3 for 3" gaps and kit DFFP6 for 6" gaps.

13. If a dead front center strip was removed to make space for this kit, and a shorter strip is needed to cover remaining dual mounted branch modules, use kit DFKI to install the appropriate length strip.

14. Replace the dead front using the hardware removed during disassembly.

15. Tighten all hardware to the specified torque values on the back of the dead front.

16. Replace the panelboard front cover using the hardware removed during disassembly.



Installation Instructions

The following instructions are for installation of a Siemens QJ circuit breaker as a branch device in a Type P2 panelboard. The parts provided in this kit connect a 2-pole QJ breaker to 1-phase or 3-phase system, or a 3-pole QJ breaker to a 3-phase system. The breaker is not included in this kit and must be purchased separately. This kit requires 6" of branch unit space. If any part of the unit space for this kit is presently covered on the dead front by a center strip for dual mounted breakers, the dead front may require modifications using kit DFKI. The dead front will need a blank filler plate if this kit does not completely fill the unit space of any removed branch module(s). These dead front filler kits are #DFFP3 for a 3" gap and #DFFP6 for a 6" gap.



⚠ DANGER

Hazardous voltage. Will cause death or serious injury.

Keep out. Qualified personnel only. Disconnect and lock off all power before working on this equipment.

1. Lock off power supplying this equipment before working on it.
2. Remove the panelboard front cover and dead front.
3. Refer to Fig.1 - For taking unit space measurements, use the bus support located farthest from the main lug or device end of the panel. Note that unit space starts 0.25" from the inner surface of the bus support.

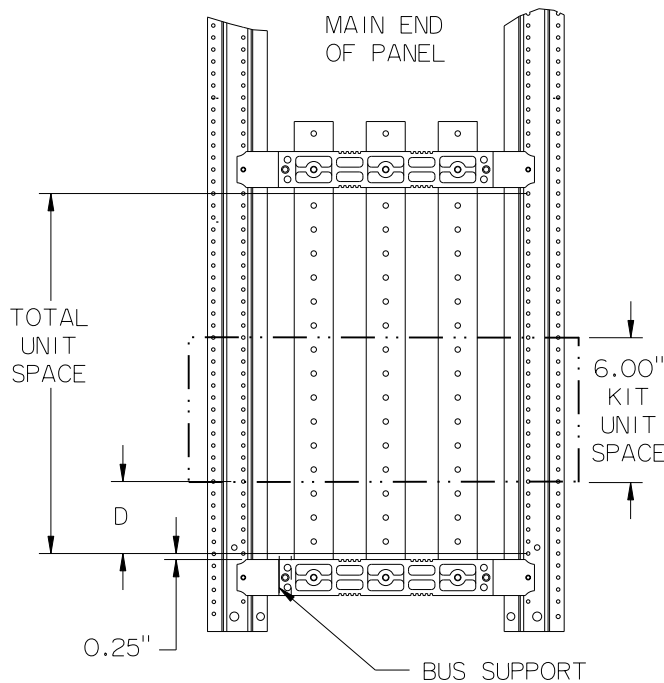


Figure 1

4. This kit requires 6" of unit space. Determine the location where the kit is to be installed. The kit locating dimension D in fig. 1, must be a multiple of 3" (0", 3", 6", 9", etc.). Add 0.25" to dimension D when taking measurements from the bus support (0.25", 3.25", 6.25", 9.25", etc.).
5. If an existing branch module occupies the location chosen for this kit, remove all of its devices, components and parts.

THIS KIT CONTAINS THE FOLLOWING ITEMS

ITEM #	DESCRIPTION	QTY.
1	QJ Breaker Support	1
2	Long Outer Connector Bus	1
3	Short Outer Connector Bus Type A	1
4	Short Outer Connecting Bus Type B	1
5	Center Connector Bus	1
6	Branch Neutral Lug	1
7	QJ Branch Dead Front Plate	1
8	QJ Breaker Dead Front Adaptor	1
9	8-32 X 9/32" Self-threading Screw	6
10	1/4-20 X 5/8" Self-threading Screw	9
11	1/4-20 X 3/4" Self-threading Screw	2
12	1/4-20 X 2-1/2" Machine Screw	2

NOTE: Separate instructions are provided for kit installation in 1Ø and 3Ø panels. Each application uses some, but not all of the above listed parts. Instructions for dead front modification and panel re-assembly are located on page 4.

2-POLE QJ INSTALLATION IN 1-PHASE PANELS

6. Refer to fig. 2. - Position the breaker support (item 1) on the base rail in the center of the 6" kit unit space as shown. Fasten it to the base rail with two 8-32 screws (item 9). Fasten the long outer connector (item 2), and the Type A short outer connector (item 3) to the panel bus with four 1/4-20 X 5/8" screws (item 10).

7. Keeping the connectors aligned and their breaker connection holes spaced 1.50" apart, tighten all of the screws to the torque values specified on the back of the dead front.

8. Position the breaker with its load-side mounting hole aligned with the upper hole in the breaker support (item 1). Bring the breaker line pads into contact with the connectors. Fasten the breaker to the support with one 1/4-20 X 2-1/2" machine screw (item 12). Do not tighten until the bus connections are made. Fasten the breaker line pads to the the connectors with two 1/4-20 X 5/8" screws (item 10).

8. If this kit is installed in a panel with a neutral, fasten the branch neutral lug (item 6) to any one of the four indicated sites on the the neutral cross bus with two 1/4-20 X 3/4" screws (item 11), as shown.

9. Tighten all screws to the torque values specified on the back of the dead front.

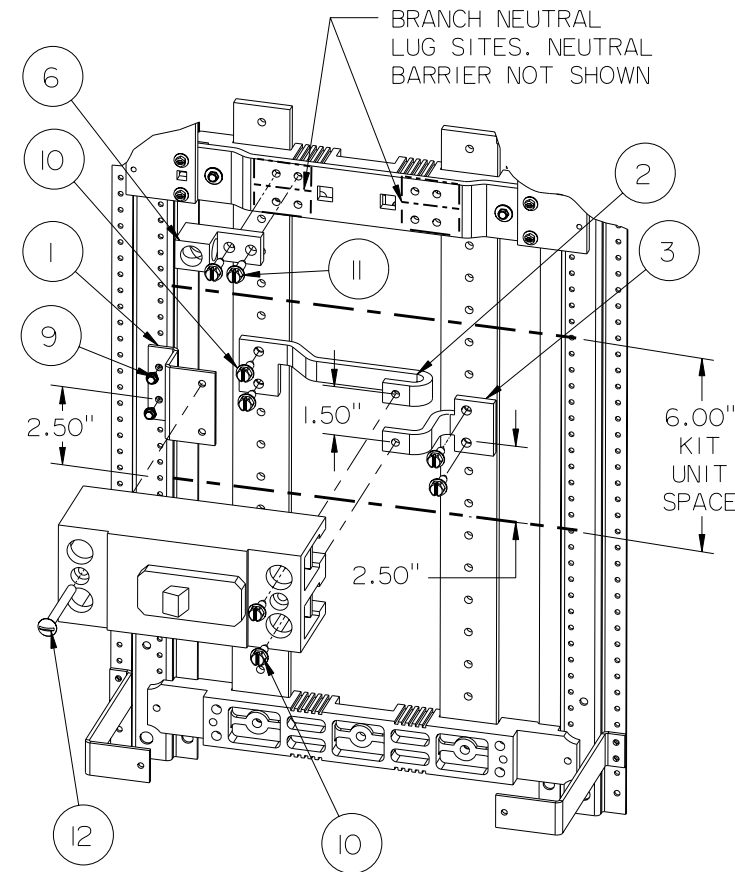


Figure 2

3-POLE QJ INSTALLATION IN 3-PHASE PANELS

6. Refer to fig. 3. - Position the breaker support (item 1) on the base rail in the center of the 6" kit unit space as shown. Fasten it to the base rail with two 8-32 screws (item 9). Fasten the long outer connector (item 2), the center connector (item 5) and the Type B short outer connector (item 4) to the panel bus with six 1/4-20 X 5/8" screws (item 10).

7. Keeping the connectors aligned and their breaker connection holes spaced 1.50" apart, tighten all of the screws to the torque values specified on the back of the dead front.

- 8A. TO INSTALL A 3-POLE BREAKER, position the breaker with its load-side mounting holes aligned with the holes in the breaker support (item 1). Bring the breaker line pads into contact with the connectors. Fasten the breaker to the the support with two 1/4-20 X 2-1/2" machine screws. (item 12). Do not tighten until the bus connections are made. Fasten the breaker line pads to the connectors with three 1/4-20 X 5/8" screws (item 10).

- 8B. TO INSTALL A 2-POLE BREAKER, position the breaker with its load-side mounting hole aligned with either hole in the breaker support (item 1). Bring the breaker line pads into contact with the connectors. If mounted to the upper support, the breaker connects to the upper connectors (items 2 & 5). If mounted to the lower hole, it connects to the lower connectors (items 5 & 4). Fasten the breaker to the support with one 1/4-20 X 2-1/2" machine screw (item 12). Do not tighten until the bus connections are made. Fasten the breaker line pads to the connectors with three 1/4-20 X 5/8" screws (item 10).

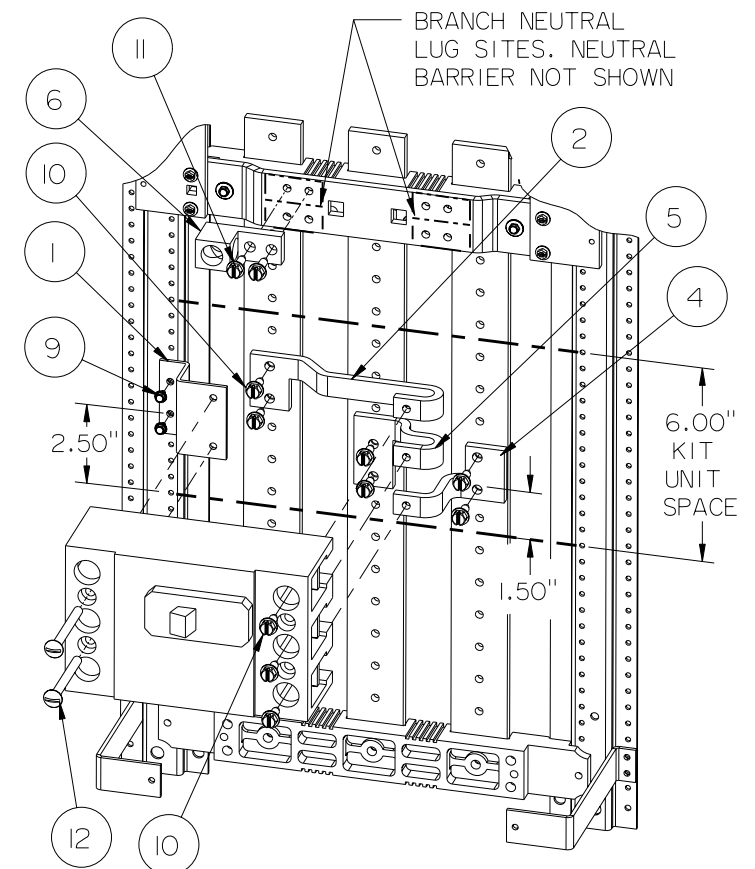


Figure 3

9. If this kit is installed in a panel with a neutral, fasten the branch neutral lug (item 6) to any one of the four indicated sites on the the neutral cross bus with two 1/4-20 X 3/4" screws (item 11), as shown.

10. Tighten all screws to the torque values specified on the back of the dead front.