

# EUSERC Meter/Load Center Combinations

## Flush Mount (JC0406L1200FEC)

### FEATURES

- UL Listed only for use as service entrance equipment
- NEMA Type 3R enclosure with painted, G90 galvanized steel
- 22,000A IC rating
- Overhead and Underground feed
- Ring style meter cover
- Tin plated copper bus bars
- 7" deep can
- Steel breaker mounting base pan
- *INSTA-WIRE* neutrals and grounds
- Visible neutrals and grounds
- Side-hinged load center door; requires the removal of only one screw to remove door
- Semi-flush mounting
- Adjustable flush rails for 2x4 or 2x6 installations
- Key hole shaped mounting holes for easy hanging
- Deadfront pull ring
- Captive deadfront screw
- See wiring diagram for lug sizes and torque data
- Main Breaker not included

### ACCESSORIES

- Bottom end wall has type HC hub provisions:
  - ECHC200 (2")
  - ECHC250 (2-1/2")
  - ECHC300 (3")
- Ground bar kits:
  - ECGB5, ECGB10, ECGB14 (check wiring diagram for limitations)
- 2/0 - #4 wire range Lug Kit: ECLK2
- 5th Jaw Assembly: EMC5J
- Mechanical Breaker Interlock: ECQML12
- Meter Socket Jumper: ECJS
- Filler Plate: QF3 or ECQF3



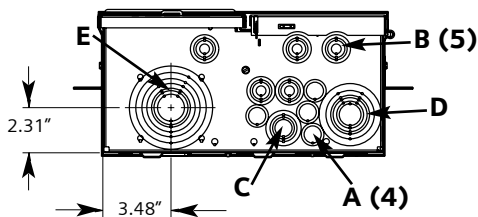
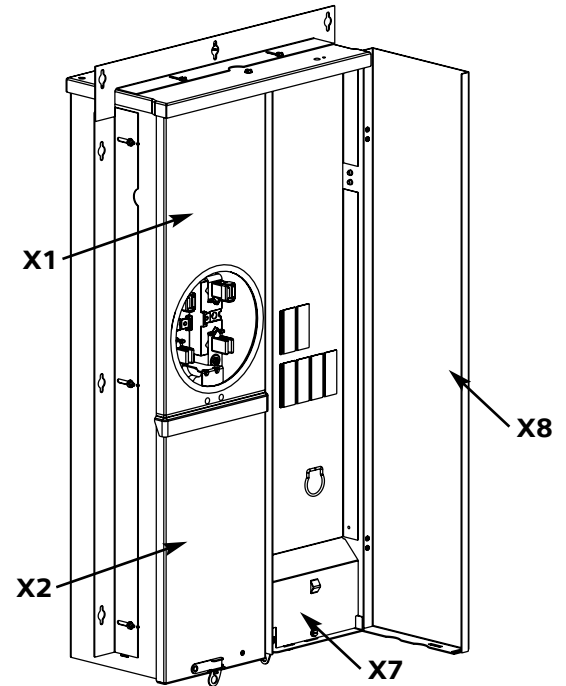
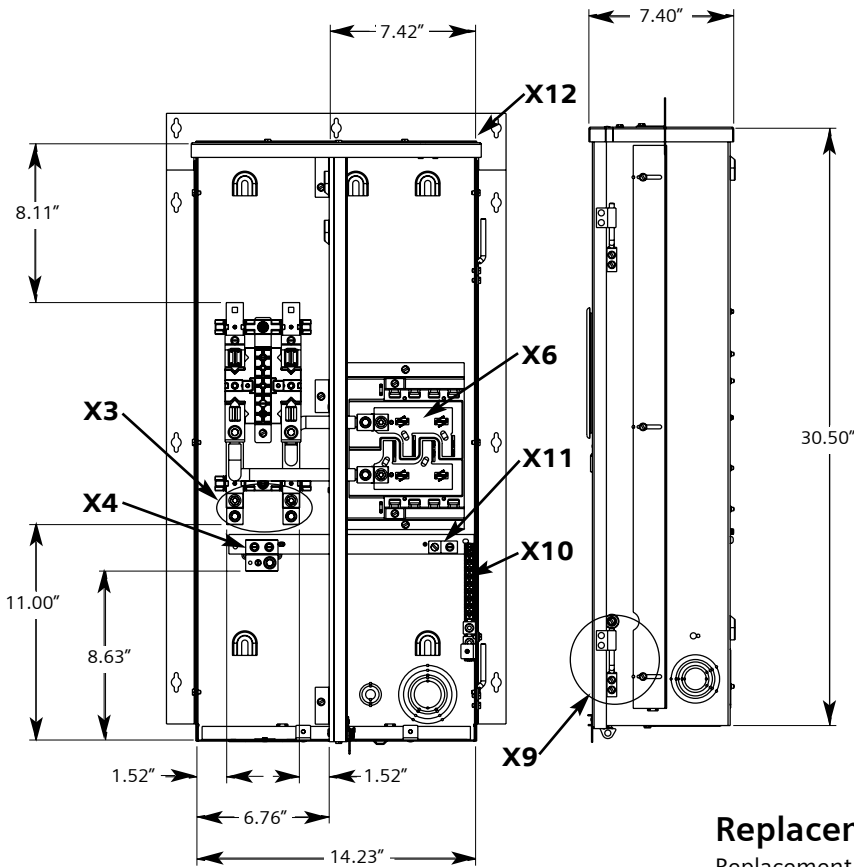
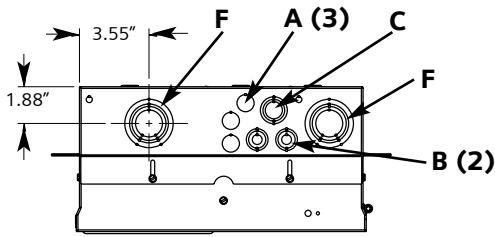
Main Ampere Rating	Catalog Number	No. of Circuits	No. of Spaces
200	JC0406L1200FEC	4	6

**fastfax**

**MURRAY**

# EUSERC Meter/Load Center Combinations

## Dimensions, Knockout Diagrams, Replacement Parts



**HC Hub Pattern**

### Knockout Schedule

- A = 1/2"
- B = 1/2", 3/4"
- C = 1/2", 3/4", 1"
- D = 3/4", 1", 1-1/4", 1-1/2", 2"
- E = 1", 1-1/4", 1-1/2", 2", 2-1/2", 3"
- F = 1", 1-1/4", 1-1/2", 2", 2-1/2"
- G = 0.31" diameter Ground Wire K.O.

### Replacement Parts

Replacement Parts are to be ordered as an "ITESA2 Special" using the descriptions following the X reference below:

X Reference	Description	Part No.
X1	Meter Cover	5459623
X2	Pull Section Cover and Latch	5459628, MO-11320, 55707-3
X3	Line Phase Lugs	6519900
X4	Utility Neutral Lug	6529980
X5	Main Breaker	Type MP-T, MP-HT, MD-T, MD-HT
X6	Load Center Interior	8019959
X7	Deadfront (not shown)	5329542
X8	Load Center Door	5459631, 1120010, 5819904
X9	Door Hinge Pin	5819903
X10	Neutral Bar	8029140
X11	Load Center Ground Lug	67554
X12	Flush Rails	5619917, 5619920