



FSPD 036



FSPD060, FSPD100, FSPD140

FSPD SERIES FOR EXTERNAL APPLICATIONS

# BoltShield™ Surge Protection Devices

[siemens.ca/powerdistribution](https://www.siemens.ca/powerdistribution)

**SIEMENS**

Material ID	Surge Current Rating
FSPD036	36kA

### General Specifications

UL Type Designation	Type 1
UL 1449 & CSA C22.2 No. 269 I-nominal rating	10kA
UL 1449 & CSA C22.2 No. 269 short circuit current rating	200kA

### Design Specifications

Custom MOV design for high energy handling in Category C locations
Thermally protected MOVs
External parallel connected for mounting next to electrical gear
Reduced mode of protection (L1-N, L2-N)

### Diagnostic and Status Monitoring Specifications

LED Protection Status Monitoring (Single LED Standard)
--

### Enclosure

Polycarbonate 4.25" x 2.41" x 2.75"
Lid ultrasonically sealed
NEMA 4X
½ inch NPT Side Mount Nipple

### Filtering

NO
----

### Physical Specifications

Humidity Range	0-95% non-condensing
Operating Frequency	50-60Hz
Operating Temperature	-35°C to +85°C
Typical Connection	18" #12 AWG (pre-wired pig tails)

### Standards Compliance and Certifications

UL 1449 5th Edition: 2021, cULus, CSA C22.2 No 269.1, ANSI/IEEE C62.41.1-2002, C62.41.2-2002, C62.45-2002, NEC Article 285
ISO 9001:2014 Quality Management System, ISO 17025:2007 Laboratory Certification (UL DAP Program) Compliance with RoHS, REACH & California Prop 65.
100% Quality Tested prior to shipping

Material ID	Surge Current Rating
FSPD060	60kA
FSPD100	100kA
FSPD140	140kA

### General Specifications

UL Type Designation	Type 2
UL 1449 & CSA C22.2 No. 269 I-nominal rating	20kA
UL 1449 & CSA C22.2 No. 269 short circuit current rating	200kA

### Design Specifications

Custom MOV design for high energy handling in Category C locations
Thermally protected MOVs
External parallel connected for mounting next to electrical gear
All modes of protection (L-N, L-G, N-G)

### Diagnostic and Status Monitoring Specifications

Phase Loss Monitoring (Standard)
Audible Alarm (Standard)
Form C Dry Contact, 240V, 2A (Standard)
3 GREEN LEDs – one for each Line disconnect
1 RED LED – flashes if fault condition:
GRM (Ground Reference Monitoring), N-G voltage > 20V detected.

### Enclosure

Polycarbonate 7.95" x 3.06" x 2.75"
Lid screwed and gasketed
NEMA 4X
¾ inch NPT Side Mount Nipple

### Filtering

Standard (UL 1283)
--------------------

### Physical Specifications

Humidity Range	0-95% non-condensing
Operating Frequency	50-60Hz
Operating Temperature	-40°C to +85°C
Typical Connection	18" #12 AWG (pre-wired pig tails)

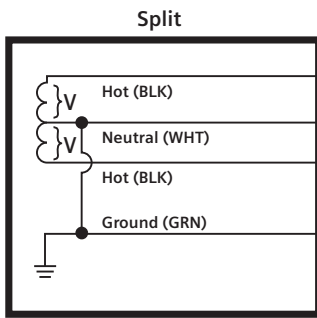
# FSPD

FSPD036	Voltage Code	System Voltage	L-N	L-G	L-L	N-G	MCOV
	A	120/240V, 1Ø, 3W	700	-	1200	-	180

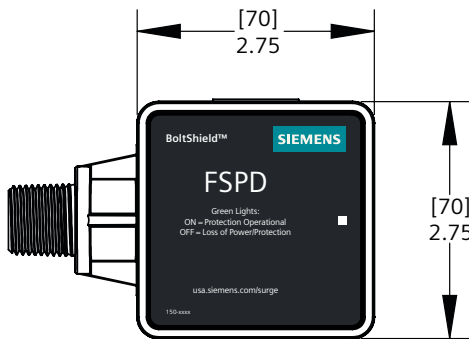
FSPD060, FSPD100, FSPD140	Voltage Code	System Voltage	L-N	L-G	L-L	N-G	MCOV
	A	120/240V, 1Ø, 3W	700	700	1200	700	180

## FSPD036 Wiring Configurations



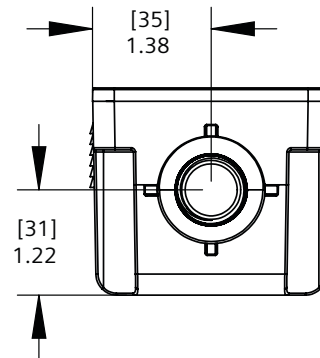
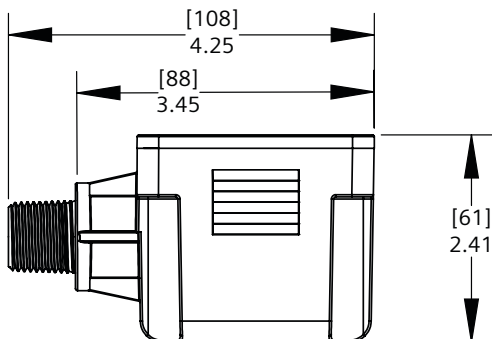
2 Hots, 1 Neu, 1 Grnd

## FSPD036 Product Diagram [in millimeters] and inches

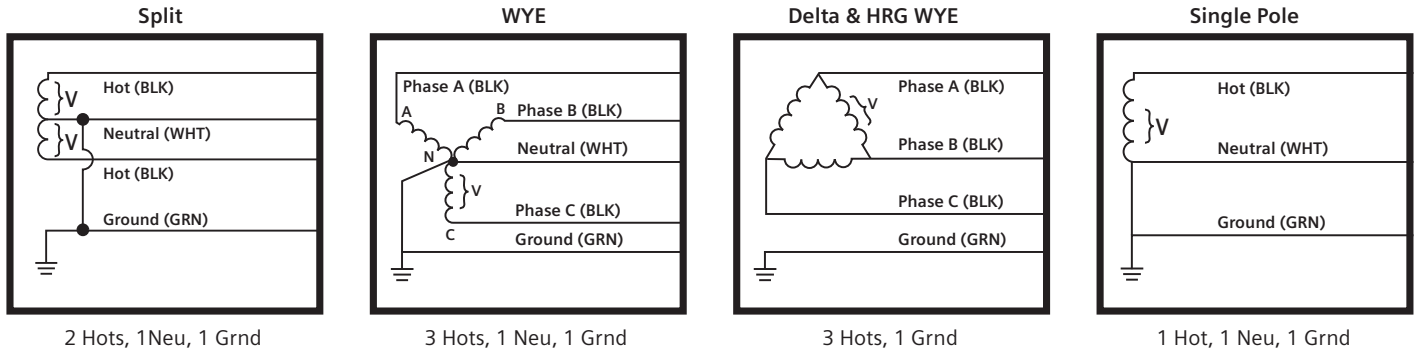


### Size and Mechanical Specifications

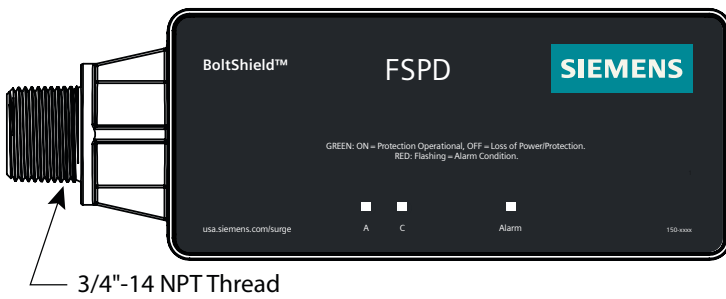
Dimensions	4.25" x 2.41" x 2.75"
Weight	0.46 lbs
Enclosure Type	Polycarbonate NEMA 4X
Installation Type	Indoor/Outdoor
Mounting Method	Flush/Flange/Through-hole



# FSPD060, FSPD100, FSPD140 Wiring Configurations

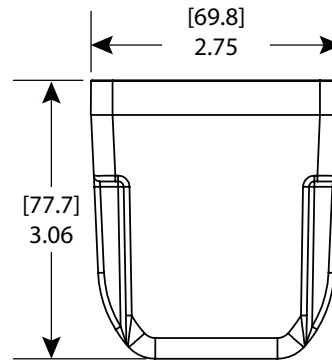
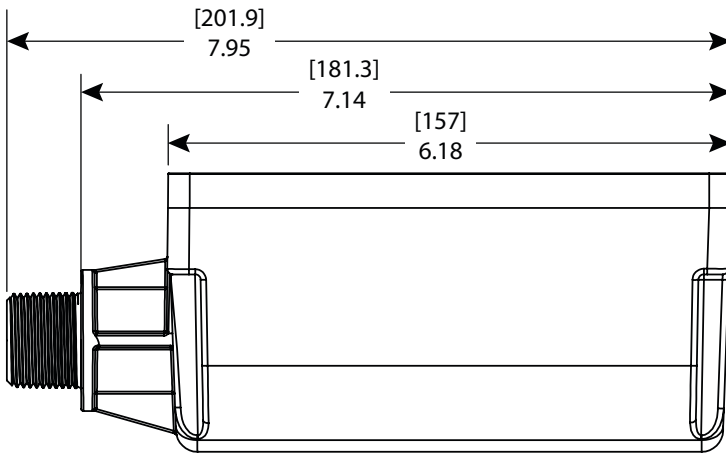


# FSPD060, FSPD100, FSPD140 Product Diagram [in millimeters] and inches



## Size and Mechanical Specifications

Dimensions	7.95" x 3.06" x 2.75"
Weight	1.38 lbs
Enclosure Type	Polycarbonate NEMA 4X
Installation Type	Indoor/Outdoor
Mounting Method	Flush/Flange/Through-hole



**Published by**  
**Siemens Canada 2024**

**Siemens Canada Limited**  
 Electrical Products  
 1577 North Service Road East  
 Oakville, ON L6H 0H6

**Customer Interaction Centre**  
 Tel: 1 (888) 303-3353  
 cic.ca@siemens.com

Printed in Canada  
 Order No. SIEPC-D25-CAEN  
 All Rights Reserved  
 © 2024, Siemens Canada Limited  
 siemens.ca/powerdistribution

The technical data presented in this document is based on an actual case or on as-designed parameters, and therefore should not be relied upon for any specific application and does not constitute a performance guarantee for any projects. Actual results are dependent on variable conditions. Accordingly, Siemens does not make representations, warranties, or assurances as to the accuracy, currency or completeness of the content contained herein. If requested, we will provide specific technical data or specifications with respect to any customer's particular applications. Our company is constantly involved in engineering and development. For that reason, we reserve the right to modify, at any time, the technology and product specifications contained herein.