

SIEMENS

Indoor/Outdoor Service Entrance Module

Catalog Number

- WB3200B**
 WB3200BU

Enclosure
Type 3R

Module Rating:

2000 Amps Max; See main breaker for actual rating.
 Main Bus Rating: 1200 Amps Max (1200 Amps Max feed per side)
 208Y/120 Volts~, 3 Phase, 4 Wire
 240/120 Volts~, 3 Phase, 4 Wire, Delta (B Phase is High Leg)

For installation by Qualified Person in accordance with all local electrical codes and/or the National Electrical Code®.

Suitable Only For Use As Service Equipment unless bond strap is removed. Apply appropriate label provided next to breaker handle.

For underground service only.

Use 75°C Copper or Aluminum Conductors.

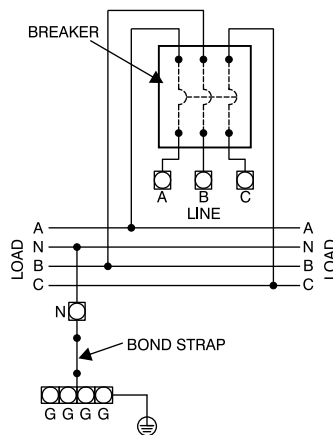
Terminals A, B, C and N:

See Lug Chart on adjacent diagram for applicable lug kits, wire size and torque information.

Ground terminal G:

Wire size #4-300 kcmil.
 Torque terminal to 250 lb.-in.

Circuit breaker trip position is indicated by handle position midway between ON and OFF. To reset, move handle to OFF position, then turn ON.



49311245

Siemens Industry, Inc. Norcross, Georgia U.S.A.

D

409000650101 Rev.00

© The National Electrical Code is a registered trademark of the National Fire Protection Association.
 © 2019 Copyright Siemens Industry, Inc.

SIEMENS

Lugs for Phase and Neutral Connections (not supplied)

| Lug No. ① | MFG | Wire Range | Type | No. Wires per phase | Torque (lb.-in.) |
|-----------|---------|---------------|-------------|---------------------|------------------|
| LK36750N2 | Siemens | 1/0-750 kcmil | Mechanical | 6 | 500 |
| 2ACL-750 | ILSCO | 750 kcmil | Compression | 6 | NA ② |

- ① Order one mechanical lug kit for main breaker and neutral conversions. Contact lug manufacturer for compression lug quantities supplied for each kit.
 ② See lug manufacturer's instruction sheet supplied with the connector for tool, die, and number of crimps.

Connect Modules Using: **Cat. No.** **Torque**
 Quick Connect QC4 400-440 lb-in (35-36 ft.-lb.)

IMPORTANT - for use with:

| Module Description | Siemens Series# |
|--------------------|--|
| Main Breakers | WB(M), WEB(M), WXB(M), BFT(M) |
| Switches | WMP, WS, WES, WXS |
| Tap/Terminal Boxes | WTB, WET, WT_PU, WTBN, WBT(M) |
| Pull Boxes | WMMB |
| Meter Module | (W)MM, (W)MT, (W)ML, (W)MK, (W)MLZ(F), (W)MN |
| Meter Combinations | WC, WCL, WCT, |
| Extension Box | WSP, WSPD |
| Bussed Elbow | BE, WELB |

Short Circuit Current Rating

This device has a maximum short circuit current rating of 100,000 amps RMS symmetrical at 240 Volts ~. The actual short circuit current rating is limited to the interrupting rating of the circuit breaker installed. Replacement breakers must be manufactured by Siemens and must be of the correct type and rating as indicated in the table below. Use of other circuit breakers in this device will void the warranty.

| Breaker Type | Rating |
|--------------|----------|
| RXD6 | 65k AIC |
| HRXD6 | 100k AIC |

USE ONLY NON-INTERCHANGEABLE
 TRIP BREAKER TYPES

Important: Do not allow petroleum based (hydrocarbon) sprays, chemicals, solvents or any paint to contact interior components. Petroleum based chemicals can cause degradation of electrical insulating materials.

49311246

Siemens Industry, Inc. Norcross, Georgia U.S.A.

D

409000650201 Rev.00

© 2019 Copyright Siemens Industry, Inc.