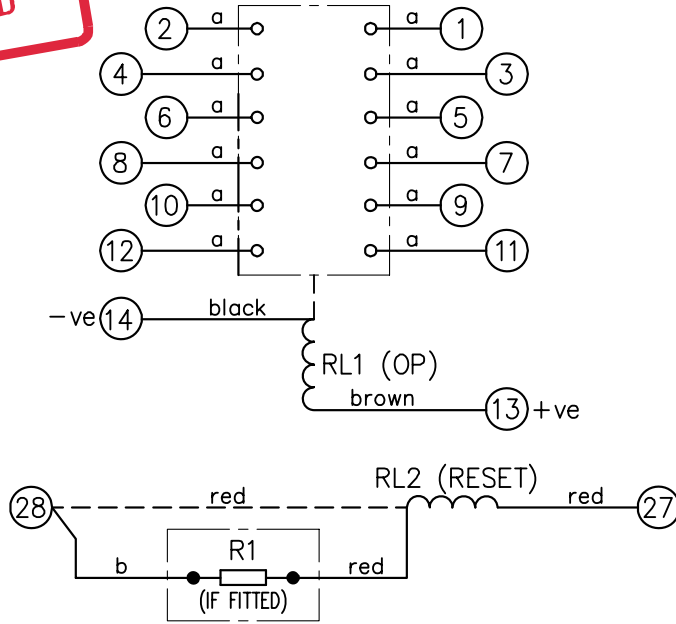


LOOKING ON FRONT OF RELAY

**NOT SUBJECT TO UPDATE  
ONCE COPIED / PRINTED  
OR DOWNLOADED**



**PRINTED ON 11/07/2012  
ENSURE CORRECT REVISION  
DESTROY AFTER USE**

NOTES:

- RESET COILS ARE NOT CONTINUOUSLY RATED. IT IS RECOMMENDED THAT A N.O. CONTACT IS CONNECTED IN SERIES WITH THE RESET COIL
- DASHED LINE --- SHOWS CONNECTIONS WHEN RESISTORS ARE NOT FITTED.

| ASSEMBLY WIRES USED |            |        |
|---------------------|------------|--------|
| a                   | 2107B10001 | 12 OFF |
| b                   | 2107D10181 | 1 OFF  |
| c                   | 2107D10164 | 4 OFF  |

| KEY |                        |
|-----|------------------------|
|     | make contact           |
|     | break contact          |
|     | c/o contact            |
|     | ext. conn              |
|     | plug bridge - shorting |
|     | metering point         |
|     | 5Kv barrier            |
|     | test socket - shorting |
|     | plug & socket          |

| RL2 (RESET) KIT | SOLKIT:6V                          | SOLKIT:6V  | SOLKIT:6V  | SOLKIT:12V | SOLKIT:36V | SOLKIT:36V |
|-----------------|------------------------------------|------------|------------|------------|------------|------------|
| RL1 (OP) COIL   | 2112G20019                         | 2112G20020 | 2112G20022 | 2112G20023 | 2112G20026 | 2112G20029 |
| R1              | NIL                                | 2102C15687 | 2102C25180 | 2102C15270 | NIL        | 2102C15471 |
| Volts dc        | 24                                 | 30         | 48         | 60         | 125        | 240        |
| CONTACT CONFIG. | OUTPUT CONTACT PAIR / TERMINAL No. |            |            |            |            |            |
|                 | 1-3                                | 2-4        | 5-7        | 6-8        | 9-11       | 10-12      |
| 6M              | M                                  | M          | M          | M          | M          | M          |
| 5M 1B           | M                                  | B          | M          | M          | M          | M          |
| 4M 2B           | B                                  | B          | M          | M          | M          | M          |
| 3M 3B           | B                                  | B          | M          | B          | M          | M          |
| 2M 4B           | B                                  | B          | B          | B          | M          | M          |
| 1M 5B           | B                                  | B          | B          | B          | M          | B          |
| 6B              | B                                  | B          | B          | B          | B          | B          |

NOTE: WHEN RECTIFIER IS SPECIFIED COIL CONNS. ARE AS SHOWN, (AC APPLICATIONS ONLY).

OPERATION

RESET

FRAME REFERENCE: E2FAQM.

FRAME TERMINAL BLOCK ASSY: -

ASSEMBLY INSTRUCTIONS: -  
TYPICAL ASSEMBLY DRAWING 2995G10032.  
AT INDICATED POSITIONS FIT AS FOLLOWS:  
T - FIT TRIP ISOLATION CONTACT 2995B10053  
S - FIT STANDARD CONTACT 2995B10054  
SECURE CONTACTS USING FIXING SCREW 2109F99009.  
POSITIONS SHOWN BLANK ARE UNUSED

|    |   |   |    |
|----|---|---|----|
| 2  | T | T | 1  |
| 4  | T | T | 3  |
| 6  | T | T | 5  |
| 8  | T | T | 7  |
| 10 | T | T | 9  |
| 12 | T | T | 11 |
| 14 | S | S | 13 |
| 16 |   |   | 15 |
| 18 |   |   | 17 |
| 20 |   |   | 19 |
| 22 |   |   | 21 |
| 24 |   |   | 23 |
| 26 |   |   | 25 |
| 28 | S | S | 27 |

VIEW FROM NUMBERED SIDE OF BLOCK

OUTER TERMINAL BLOCK ASSY: -

ASSEMBLY INSTRUCTIONS: -  
TYPICAL ASSEMBLY DRAWING 2995G10029.  
AT INDICATED POSITIONS FIT AS FOLLOWS:  
S - FIT STANDARD CONTACT 2995B10051  
HC - FIT 'HEAVY CURRENT' KIT 2995G10030  
WHERE IS SHOWN FIT CT SHORTING KIT 2995G10031  
POSITIONS SHOWN BLANK ARE UNUSED.  
ALL POSITIONS FIT SCREW 2106F12506.

|    |   |   |    |
|----|---|---|----|
| 2  | S | S | 1  |
| 4  | S | S | 3  |
| 6  | S | S | 5  |
| 8  | S | S | 7  |
| 10 | S | S | 9  |
| 12 | S | S | 11 |
| 14 | S | S | 13 |
| 16 |   |   | 15 |
| 18 |   |   | 17 |
| 20 |   |   | 19 |
| 22 |   |   | 21 |
| 24 |   |   | 23 |
| 26 |   |   | 25 |
| 28 | S | S | 27 |

VIEW FROM INSIDE FACE

|                           |      |         |  |  |                                |  |
|---------------------------|------|---------|--|--|--------------------------------|--|
| 4 RDW 03/07/12 MN11A/3479 |      |         | Title:<br>T.B. AND W.D. FOR AR1-3/AR1-6 6 CONT. RELAY IN EPSILON E2 CASE.  |  | First used on:                 |  |
| 3 RDW 31/05/11 MN12/3408  |      |         | <p style="text-align: center;"><b>Reyrolle Protection Hebburn.</b></p> <p style="text-align: center;">Original Scale. </p> |  | Similar Articles:              |  |
| 2 RDW 10/06/09 MN12/3151  |      |         |  |  | Supersedes:                    |  |
| 1 22/03/99                |      |         |  |  | Drg.No.<br><b>2112W50032</b>   |  |
| ISSUE                     | DATE | MOD.No. | DRAWN: A.LAW. CHECKED:   |  | DATE: 16/07/02                 |  |
|                           |      |         | APPROVED: R.D.WATSON   |  | Copyright © 1998 Reyrolle Ltd. |  |