

- IMPEDANCE SHOWN IS CALCULATED VALUE - NOT GUARANTEED  
 - SERIAL NUMBER AND TESTED IMPEDANCE WILL BE SHOWN ON TRANSFORMER NAMEPLATE

ALSO VERIFIED IN ACCORDANCE TO ENERGY STANDARD C802.2-112

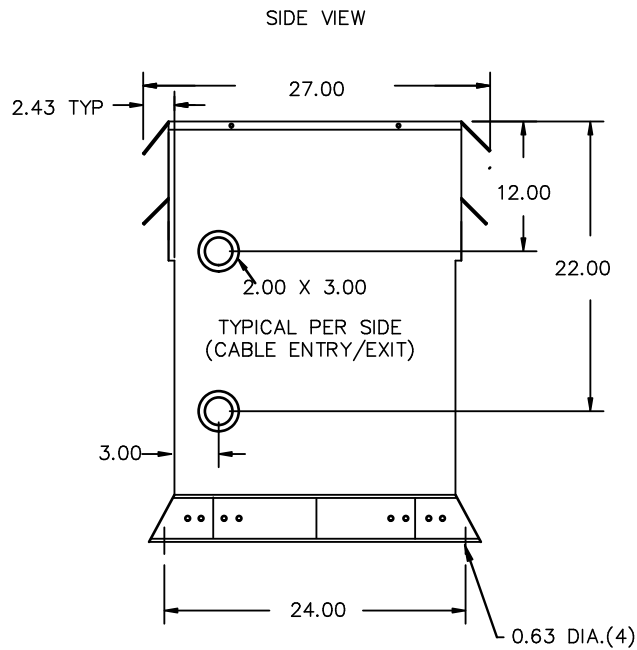
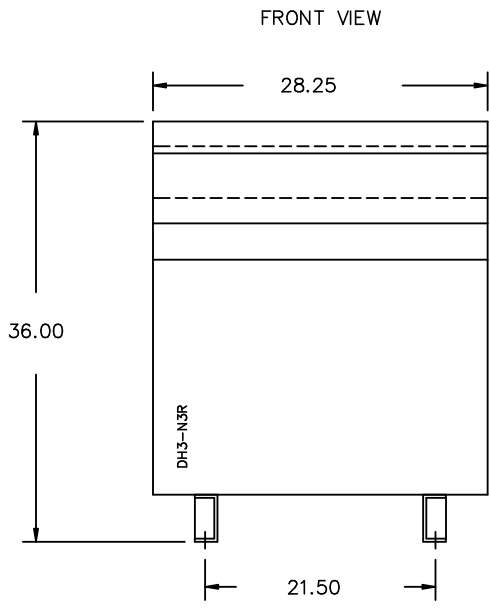
# SIEMENS

CATALOG NO. 3B5Y112CD16 SERIAL NO. SERIES H 112.5 kVA 60 Hz 3 PHASE 3.8 % IMP AT 170 °C		<table border="1"> <tr><th colspan="2">VOLTS CONNECT</th></tr> <tr><td>218</td><td>1</td></tr> <tr><td>213</td><td>2</td></tr> <tr><td>208</td><td>3</td></tr> <tr><td>203</td><td>4</td></tr> <tr><td>198</td><td>5</td></tr> <tr><td>192</td><td>6</td></tr> <tr><td>187</td><td>7</td></tr> </table>		VOLTS CONNECT		218	1	213	2	208	3	203	4	198	5	192	6	187	7
VOLTS CONNECT																			
218	1																		
213	2																		
208	3																		
203	4																		
198	5																		
192	6																		
187	7																		
150 °C RISE	°C AVG. AMBIENT																		
220 °C TEMP CLASS	°C MAX. AMBIENT																		
PRIMARY ( X1 X2 X3 )	208V	V	10 kV BIL																
SECONDARY( H0 H1 H2 H3 )	480Y/277V	V	10 kV BIL																
WINDING MATERIAL CU																			
ENCLOSURE TYPE 3R		WEIGHT	765 LBS																
ENERGY EFFICIENT SOR/2011-10E 10 CFR PART 431:2016																			
SPACINGS BETWEEN ANY VENTILATED ENCLOSURE PANEL AND ANY ADJACENT WALL SHALL BE A MINIMUM OF 5 INCHES EXCEPT WHEN WALL MOUNTED USING APPROVED WALL MOUNTING KIT SEISMIC QUALIFICATIONS, OSP-0136-10 IBC 2012/ASCE 7-10																			
SUITABLE FOR INDOOR OR OUTDOOR LOCATIONS BEFORE HANDLING, INSTALLING AND OPERATING; SEE INSTRUCTION MANUAL NEMA Class ANN Dry Type Transformer		Siemens Industry, Inc. Norcross, GA 30092																	
LISTED 7715 E112313 TYPE K DRY TYPE TRANSFORMER LR 3902		SEISMIC QUALIFICATIONS, FLOOR MOUNT ONLY OSP-0136-10 IBC 2012/ASCE 7-10 SDS<=2.0g z/h=1 p=1.5																	



REVISION	DATE	BY	DATE	BY
		DRAWN	16/12/09	NL
		CHEK'D		
		VERIF'D		

Confidential - Property of <b>Siemens Industry, Inc.</b>	
CUSTOMER	
ORDER NO.	DWG. NO.
	3B5Y112CD16
	SH 1 OF 2



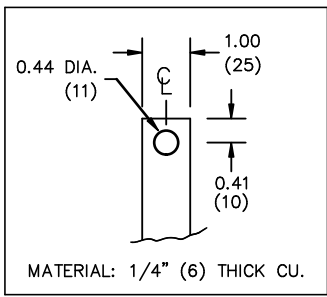
All Dimensions in inches

ENCLOSURE COLOR :ANSI 61 GREY – OUTDOOR

HV TERMINAL DETAIL

LV TERMINAL DETAIL

MECHANICAL TYPE LUGS INCLUDED  
SUITABLE FOR 250MCM-6 CU/AL  
CONDUCTORS  
1 CONDUCTOR PER PHASE



CUSTOMER NOTES:

- HV TERMINATED AT BOTTOM FRONT
- LV TERMINATED AT TOP FRONT

Confidential – Property of  
**Siemens Industry, Inc.**

REVISION	DATE	BY	DATE	BY
			16/12/09	NL

CUSTOMER	
ORDER NO.	DWG. NO.
	3B5Y112CD16
	SH 2 OF 2

0.0 nielumie 2016/12/09 08:15