

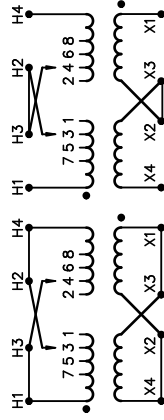
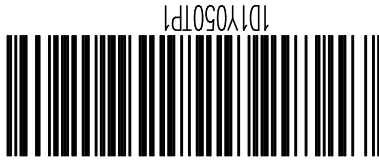


REVISION	DATE	BY	DATE	BY
		DRAWN	05/10/27	CY
		CHEK'D		
		VERIF'D		

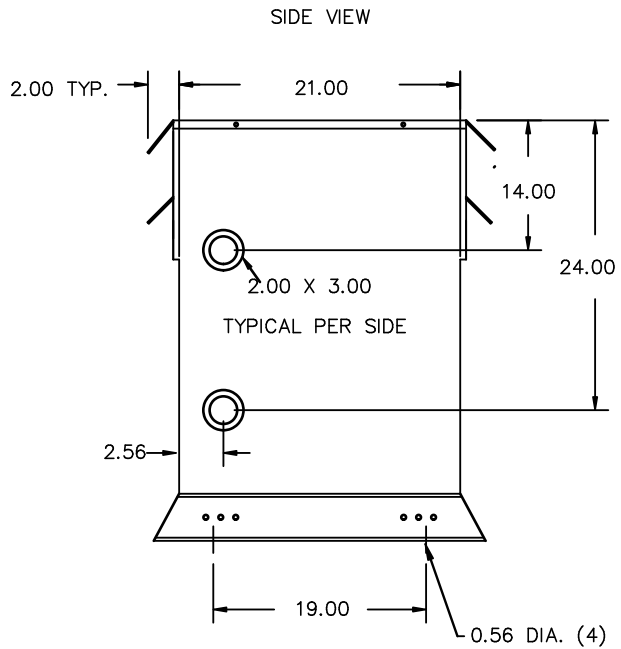
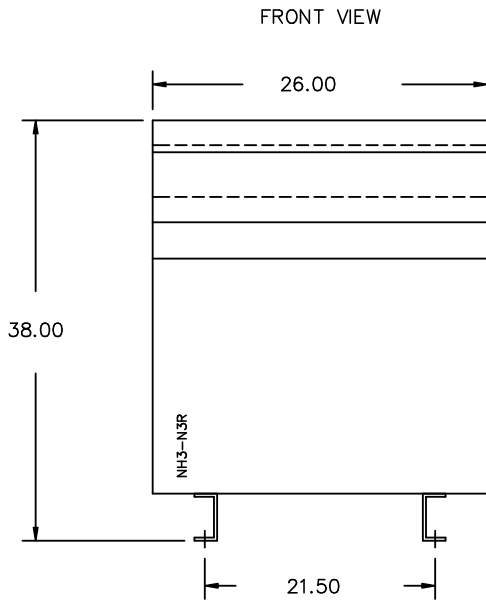
Confidential - Property of Siemens Industry, Inc. Building Technologies Division		
CUSTOMER		
ORDER NO.	DWG. NO.	
	1D1Y050TP1	SH 1 OF 2

SIEMENS

CATALOG NO. 1D1Y050TP1 SERIAL NO. 50 kVA 60 Hz 1 PHASE 6.2 % IMP AT 170 °C 150 °C RISE °C AVG. AMBIENT 220 °C TEMP CLASS °C MAX. AMBIENT PRIMARY (H1 H3 H2 H4) 240X480V V SECONDARY(X4 X2 X3 X1) 120/240V V WINDING MATERIAL AL ENCLOSURE TYPE NEMA-3R WEIGHT 375 LBS ENERGY EFFICIENCY NEMA TP 1-2002	<div style="display: flex; justify-content: space-between;"> <div style="width: 45%;"> <p>LISTED DISTRIBUTION TRANSFORMER 77US TYPE F</p>  LR 3902 E112313 </div> <div style="width: 45%; text-align: center;">  </div> </div>
SUITABLE FOR INDOOR OR OUTDOOR LOCATIONS DO NOT INSTALL IN AREAS ACCESSIBLE TO PUBLIC FOR INSTALLATION SEE INSTRUCTION MANUAL NEMA Class ANN Dry Type Transformer Siemens Industry, Inc. Norcross, GA	



dsu0082e1



All Dimensions in inches

ENCLOSURE COLOR :ANSI 61 GREY – OUTDOOR

H.V.1. TERMINAL DETAIL

L.V.1. TERMINAL DETAIL

MECHANICAL TYPE LUGS INCLUDED
SUITABLE FOR 250MCM-6 CU/AL
CONDUCTORS
1 CONDUCTOR PER PHASE

MECHANICAL TYPE LUGS INCLUDED
SUITABLE FOR 600MCM-2 CU/AL
CONDUCTORS
1 CONDUCTOR PER PHASE

CUSTOMER NOTES:

- HV1 TERMINATED AT TOP FRONT
- LV1 TERMINATED AT BOTTOM FRONT

Confidential – Property of
Siemens Industry, Inc.
Building Technologies Division

REVISION	DATE	BY	DATE	BY
		DRAWN	05/10/27	CY
		CHEK'D		
		VERIF'D		

CUSTOMER	
ORDER NO.	DWG. NO. 1D1Y050TP1
SH 2 OF 2	

0.3 jwen 2010/01/21 13:28