

# SIEMENS

CATALOG NO. 3F3Y045CSSN4X

SERIAL NO.

45 kVA 60 Hz 3 PHASE

2.4 % IMP AT 170 °C

150 °C RISE 30 °C AVG. AMBIENT

220 °C TEMP CLASS 40 °C MAX. AMBIENT

PRIMARY ( H1 H2 H3 ) 480 V

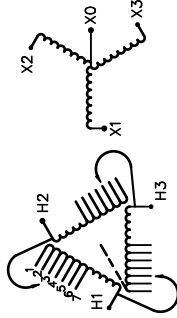
SECONDARY(X0 X1 X2 X3 ) 208Y/120 V

WINDING MATERIAL CU

ENCLOSURE TYPE 4X

WEIGHT 710 LBS

SPACINGS BETWEEN ANY ENCLOSURE PANEL AND ANY ADJACENT WALL SHALL BE A MINIMUM OF 3" INCHES



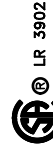
VOLTS	CONNECT
504	1
492	2
480	3
468	4
456	5
444	6
432	7

TYPE KN



DRY TYPE TRANSFORMER  
7705 E112313

LISTED



LR 3902

NEMA Class ANC Dry Type Transformer

Siemens Industry, Inc. Norcross, GA

dwg00016

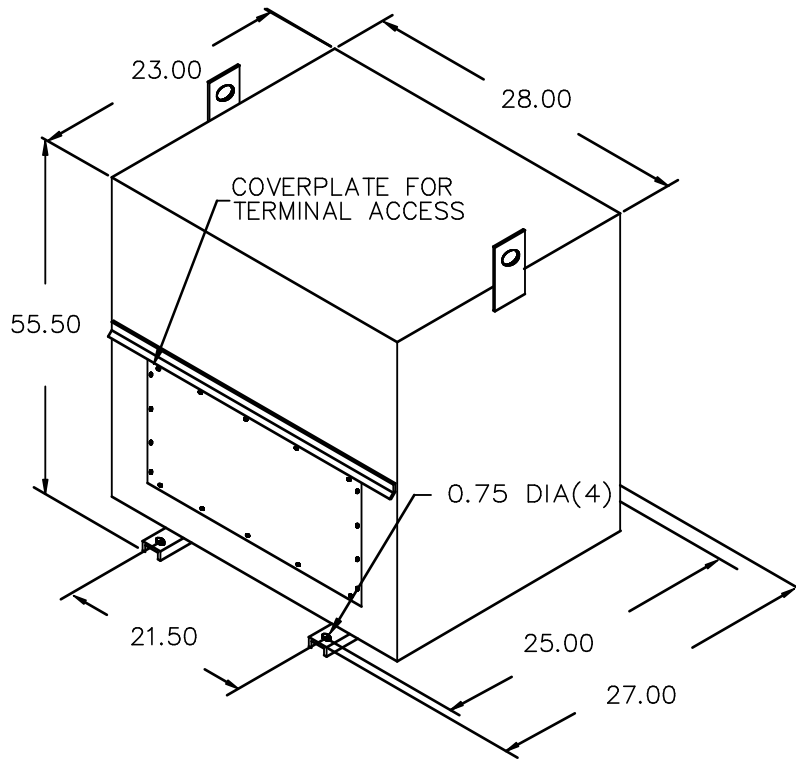


3F3Y045CSSN4X

Confidential – Property of  
Siemens Industry, Inc.  
Building Technologies Division

REVISION	DATE	BY	DATE	BY
		DRAWN	09/06/01	RM
		CHEK'D		
		VERIF'D		

CUSTOMER		
ORDER NO.	DWG. NO. 3F3Y045CSSN4X	SH 1 OF 2



All Dimensions in inches

ENCLOSURE COLOR :316 STAINLESS STEEL

H.V.1. TERMINAL DETAIL

L.V.1. TERMINAL DETAIL

MECHANICAL TYPE LUGS INCLUDED  
SUITABLE FOR #2/0-14 CU/AL  
CONDUCTORS  
1 CONDUCTOR PER PHASE

MECHANICAL TYPE LUGS INCLUDED  
SUITABLE FOR 600MCM-2 CU/AL  
CONDUCTORS  
1 CONDUCTOR PER PHASE

CUSTOMER NOTES:

- HV1 TERMINATED AT TOP FRONT
- LV1 TERMINATED AT BOTTOM FRONT
- C/W STAINLESS STEEL NAMEPLATES

Confidential – Property of  
**Siemens Industry, Inc.**  
Building Technologies Division

REVISION	DATE	BY	DATE	BY	CUSTOMER
			DRAWN 09/06/01	RM	
			CHEK'D		
			VERIF'D		
					ORDER NO.
					DWG. NO. 3F3Y045CSSN4X
					SH 2 OF 2

0.2 mresam 2014/12/03 16:13