

CATALOG NUMBER

# ECQLD4

electriCenter  
ACCESSORIES

## Handle Blocking Device

Same As:

■ QLD4



Package contains 10 devices.

30783643470607

## INSTALLATION INSTRUCTIONS



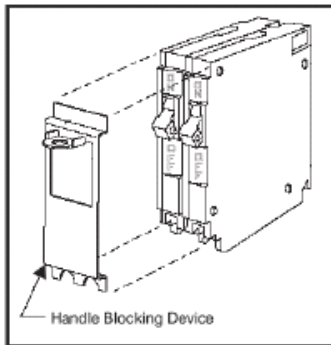
### DANGER

**Hazardous Voltage.**  
Will cause death,  
serious injury or substantial  
property damage.

Turn off power supplying this  
equipment before working inside.



### SAFETY INSTRUCTIONS



**Note:** This instruction outlines the recommended installation procedure.

1. Turn off and lock off the power supplying the load center before working inside.
2. Orient circuit breaker handles in the "OFF" position.
3. Place the handle blocking device on the circuit breaker surface and insert the handles through the device opening.
4. Cover circuit breaker enclosure and place lock through the hole opening.