

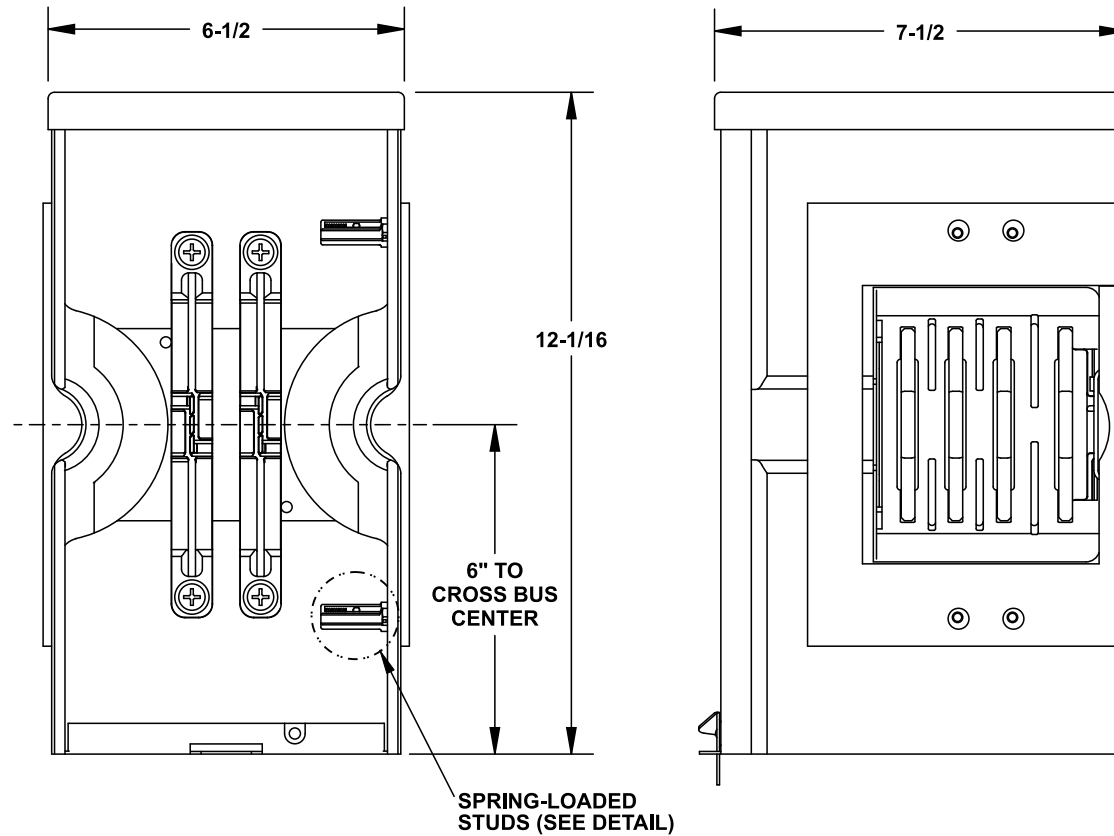
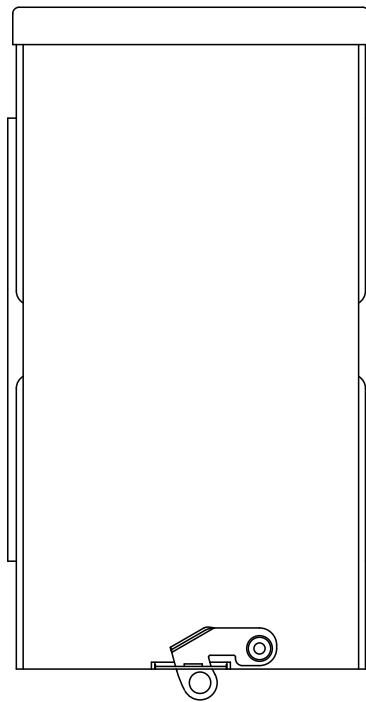
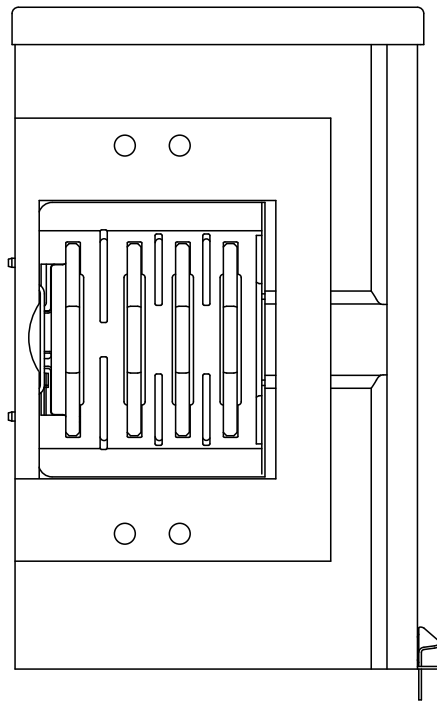
Ratings and Features

- Type 3R Outdoor Enclosure
- 1200 Amps Max. Thru Bus
- 100,000 AIC Rating Max.
- Catalog Number WSP1 : 1 Phase, 3 Wire ; 120/240V AC Max.
- Catalog Number WSP3 : 3 Phase, 4 Wire ; 240V AC Max.
- (1) QuickConnect™ and mounting hardware included.

Additional Modules and Accessories

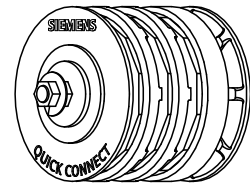
FOR USE WITH:		
Module Description	Siemens Series#	Murray Series#
Main Breakers	(W)MC, WB, WEB	DB W
Switches	WMP, WMS, WS, WES	DPT W, DT W
Tap/Terminal Boxes	WMTB, WTB, WET	DTB W
Pull Boxes	WMMB, WPB, WAPB	DPB W
Meter Module	WMM, WxMM, WMT, WML, WMK	DG_W, DC_W, DL_W
Bussed Elbow	(W)BE	DL

Connect Modules Using	Catalog Number / Torque
QuickConnect	QC1 (1ph) or QC4 (3ph) 400-440 lb-in (35-36 ft.-lb.) Torque
Single Bolt Joint	SBJ1 (1ph) or SBJ4 (3ph) 400-480 lb-in (35-40 ft.-lb.) Torque

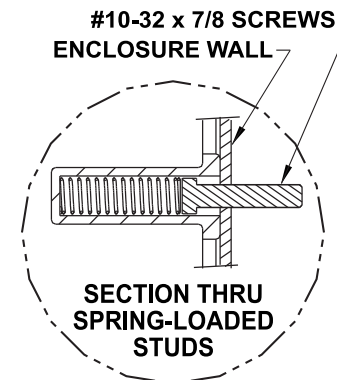
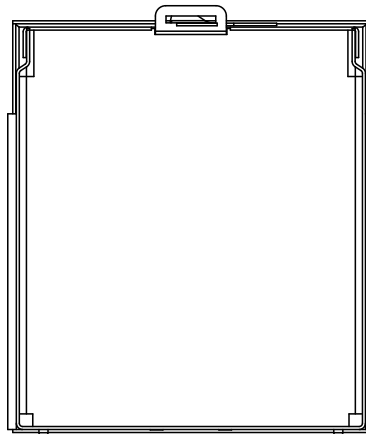


VIEW SHOWN WITHOUT COVER

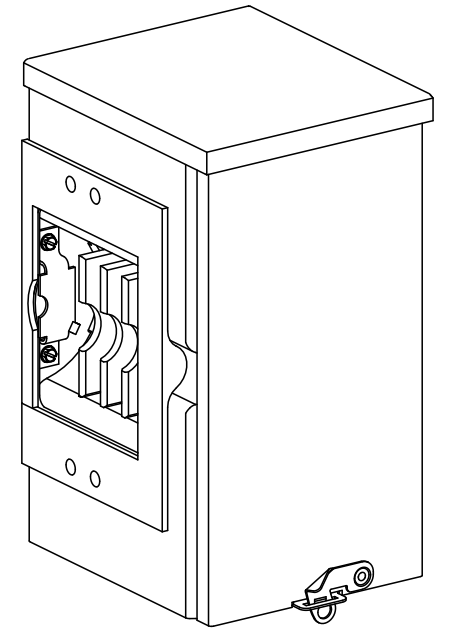
WSP3 (3 Phase) SHOWN



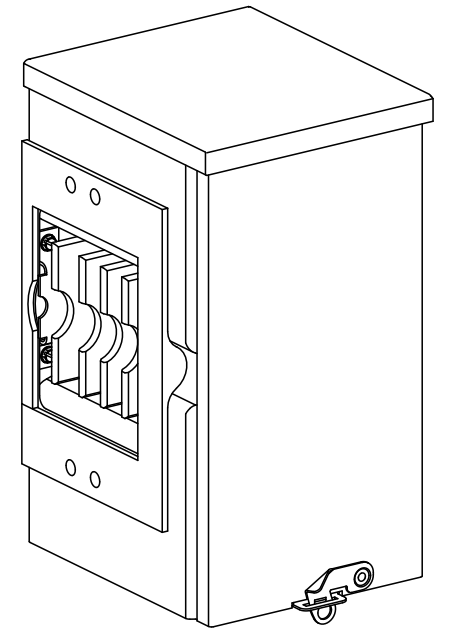
QuickConnect™ Included



WSP1 (1 phase)



WSP3 (3 phase)



© 2010 Copyright Siemens Industry, Inc.

Siemens Industry, Inc.
Building Technologies Division

PowerMod™ Modules/Accessories

Catalog Numbers:

WSP Outdoor Bussed Extension Box

Size B Dwg. No. WSP_ExtBox

Dwn KAM Date 4/23/10 DO NOT SCALE DRAWING SHEET 1 OF 1