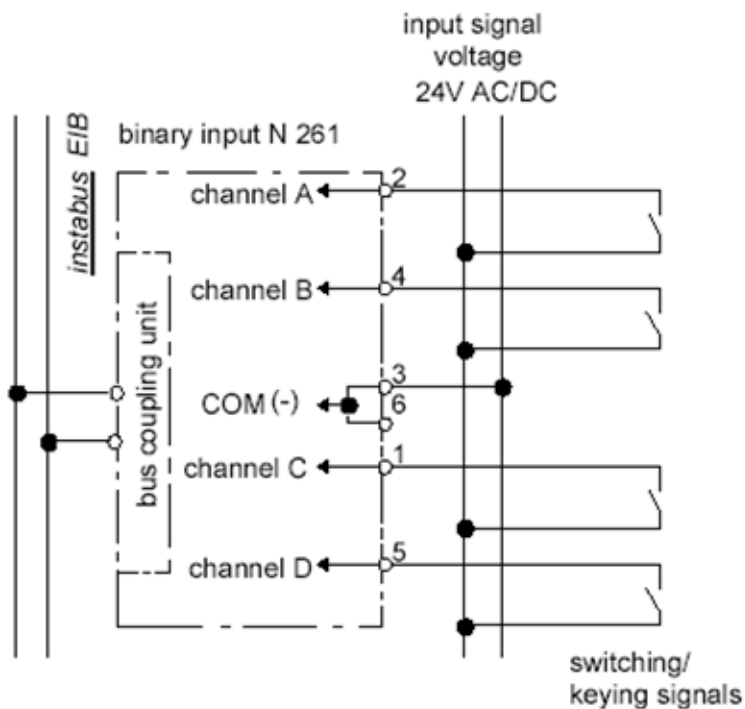


Example of Operation



PROJECT NAME :	
-	
DRAWING TITLE :	
LCP3000EZ Lighting Control Panel	
DATE :	DRAWING NO. :
8/2005	1