

IF IN DOUBT ASK
DO NOT SCALE

A

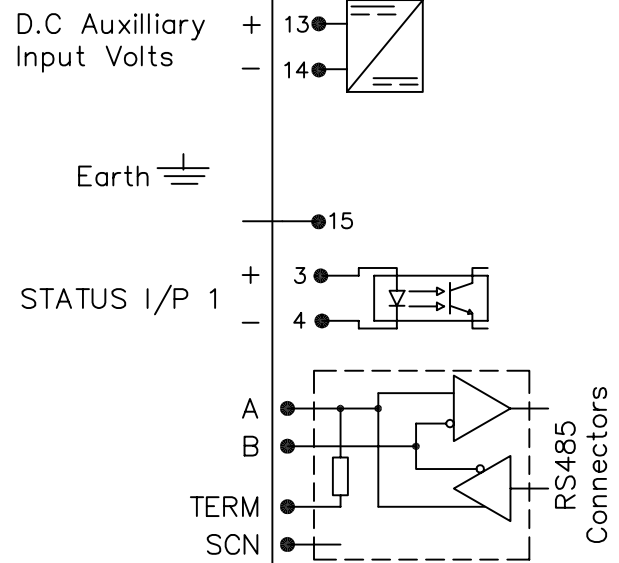
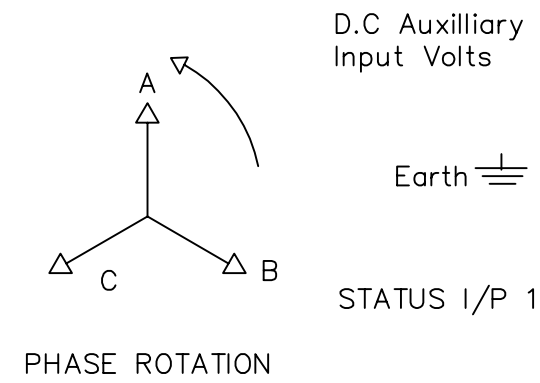
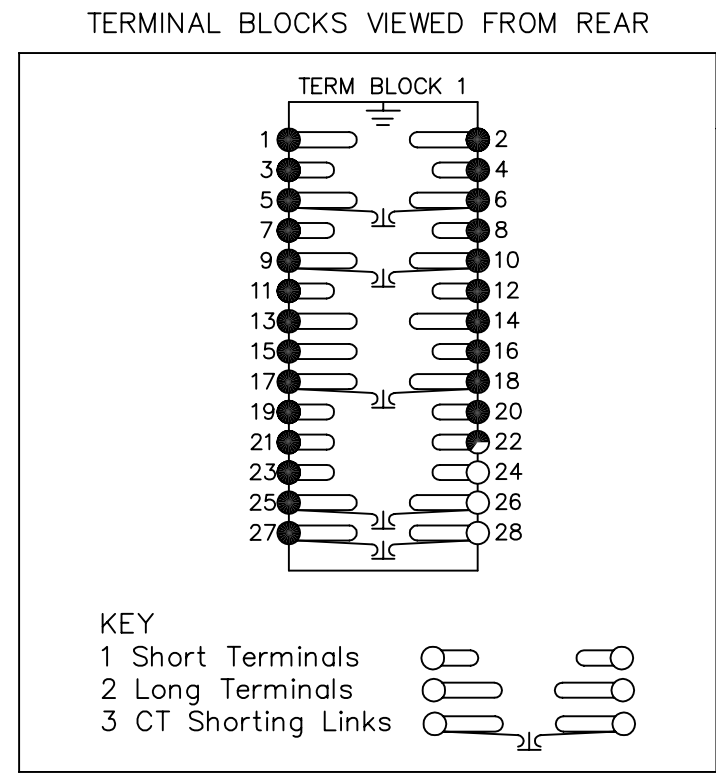
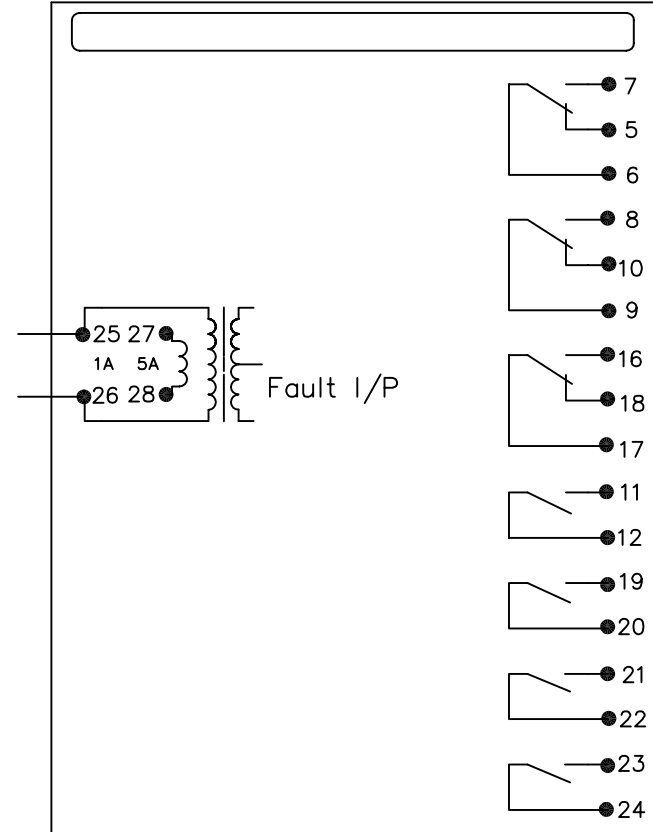
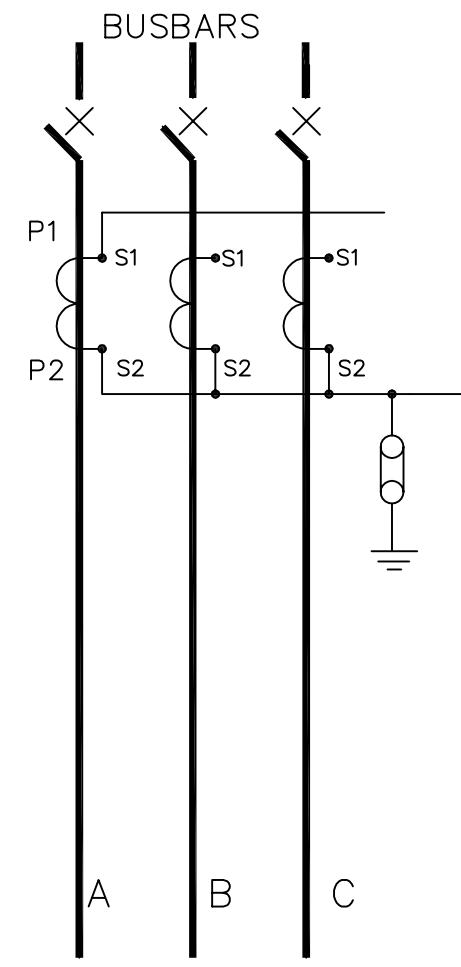
B

C

D

E

F



JNS ARE TYPICAL ONLY.
3. FOR TERMINAL DIAGRAM SEE 2434W50007 (A2).

**FOR INFORMATION ONLY
UNCONTROLLED COPY
NOT SUBJECT TO UPDATE**

MATERIAL:

Dimensions in millimetres : Surface texture in micrometres. Machine where marked ✓ For explanation of dimensions, tolerances, notes etc. see B.S.308. Limit on untoleranced unmachined dimensions ± _____ Limits on untoleranced machined dimensions to B.S.4500; i.e. up to 6±0.1; over 30 to 120±0.3; over 315±0.8; over 6 to 30±0.2; over 120 to 315±0.5; General unmachined angular tolerance ± _____	Finish:	Title:	First used on:
	Treatment:	TYPICAL SCHEMATIC DIAGRAM SINGLE PH/EF RS485 ARGUS 1 NUMERIC OVERCURRENT PROTECTION EPSILON VATECH REYROLLE AUTOMATION, CONTROL & PROTECTION	Original Scale:
DRAWN ML/SK CHECKED RDW APPROVED RD.WATSON	DATE 18/02/05 IE OPS PCP Purch.Spec. TQ EAC	CE STD A3	1 ISSUE 12/08/04 DATE CHANGE NOTED △

Copyright © 2004 VATECH REYROLLE ACP Ltd. Hebburn