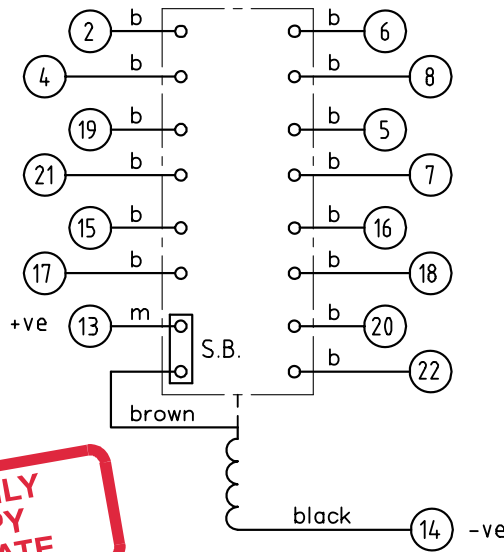


LOOKING ON FRONT OF RELAY

2112W50085



**FOR INTERNAL USE ONLY
UNCONTROLLED COPY
NOT SUBJECT TO UPDATE**

**CREATED 04/05/2020
WORKS STANDARD
IF IN DOUBT ASK**

KEY

- make contact
- break contact
- c/o contact
- ext. conn
- plug bridge - shorting
- metering point
- 5Kv barrier
- test socket - shorting
- plug & socket

| COIL | | 2112G20019 | 2112G20020 | 2112G20022 | 2112G20023 | 2112G20026 | 2112G20029 | | | | |
|-----------------|-----|------------------------------------|------------|------------|------------|------------|------------|-------|-------|-------|--|
| Vdc | | 24 | 30 | 50 | 60 | 125 | 240 | | | | |
| CONTACT CONFIG. | 1-3 | OUTPUT CONTACT PAIR / TERMINAL No. | | | | | | | | | |
| | | 2-4 | 5-7 | 6-8 | 9-11 | 10-12 | 15-17 | 16-18 | 19-21 | 20-22 | |
| 7M 1SB | | M | M | M | | | M | M | M | M | |
| 6M 1B 1SB | | M | M | M | | | M | B | M | M | |
| 5M 2B 1SB | | B | M | M | | | M | B | M | M | |
| 4M 3B 1SB | | B | M | M | | | B | B | M | M | |
| 3M 4B 1SB | | B | M | M | | | B | B | M | B | |
| 2M 5B 1SB | | B | M | B | | | B | B | M | B | |
| 1M 6B 1SB | | B | M | B | | | B | B | B | B | |
| | | B | B | B | | | B | B | B | B | |
| | | | | | | | | | | | |

NOTE: WHEN RECTIFIER IS SPECIFIED COIL CONNS AND ADDITIONAL WIRES ARE AS SHOWN.

ASSEMBLY WIRES USED

| | | |
|---|------------|--------|
| b | 2107B10001 | 14 OFF |
| m | 2107D10181 | 1 OFF |

FRAME REFERENCE: E2FAQM.
 FRAME TERMINAL BLOCK ASSY: -
 ASSEMBLY INSTRUCTIONS: -
 TYPICAL ASSEMBLY DRAWING 2995G10032.
 AT INDICATED POSITIONS FIT AS FOLLOWS:
 T - FIT TRIP ISOLATION CONTACT 2995B10053
 S - FIT STANDARD CONTACT 2995B10054
 SECURE CONTACTS USING FIXING SCREW 2109F99009.
 POSITIONS SHOWN BLANK ARE UNUSED

| | | | |
|----|---|---|----|
| 2 | T | | 1 |
| 4 | T | | 3 |
| 6 | T | T | 5 |
| 8 | T | T | 7 |
| 10 | | | 9 |
| 12 | | | 11 |
| 14 | S | S | 13 |
| 16 | T | T | 15 |
| 18 | T | T | 17 |
| 20 | T | T | 19 |
| 22 | T | T | 21 |
| 24 | | | 23 |
| 26 | | | 25 |
| 28 | | | 27 |

VIEW FROM NUMBERED SIDE OF BLOCK

OUTER TERMINAL BLOCK ASSY: -
 ASSEMBLY INSTRUCTIONS: -
 TYPICAL ASSEMBLY DRAWING 2995G10029.
 AT INDICATED POSITIONS FIT AS FOLLOWS:
 S - FIT STANDARD CONTACT 2995B10051
 HC - FIT 'HEAVY CURRENT' KIT 2995G10030
 WHERE IS SHOWN FIT CT SHORTING KIT 2995G10031
 POSITIONS SHOWN BLANK ARE UNUSED.
 ALL POSITIONS FIT SCREW 2106F12506.

| | | | |
|----|---|---|----|
| 2 | S | | 1 |
| 4 | S | | 3 |
| 6 | S | S | 5 |
| 8 | S | S | 7 |
| 10 | | | 9 |
| 12 | | | 11 |
| 14 | S | S | 13 |
| 16 | S | S | 15 |
| 18 | S | S | 17 |
| 20 | S | S | 19 |
| 22 | S | S | 21 |
| 24 | | | 23 |
| 26 | | | 25 |
| 28 | | | 27 |

VIEW FROM INSIDE FACE

| | | | | |
|---------------|----------|----------------------|---|--------------------------------|
| 5 N.C | 19/06/15 | MN112/3882 LD | Title: T.B. AND W.D. FOR AR112SB 8 CONTACT RELAYS IN EPSILON E2 CASE. Reyrolle Protection Hebburn. | First used on: |
| 4 RDW | 09/10/12 | MN112/3556 JB | | Similar Articles: |
| 3 RDW | 05/12/05 | MN112/2755 | | Supersedes: |
| 2 RDW | 16/01/04 | MN112/2606 | | Original Scale: |
| 1 | 27/04/99 | | | Original Scale: |
| ISSUE | DATE | MOD.No. | | Drg.No. 2112W50085 |
| DRAWN: A.LAW. | CHECKED: | APPROVED: R.D.WATSON | DATE: 17/07/02 | Copyright © 2015 Reyrolle Ltd. |