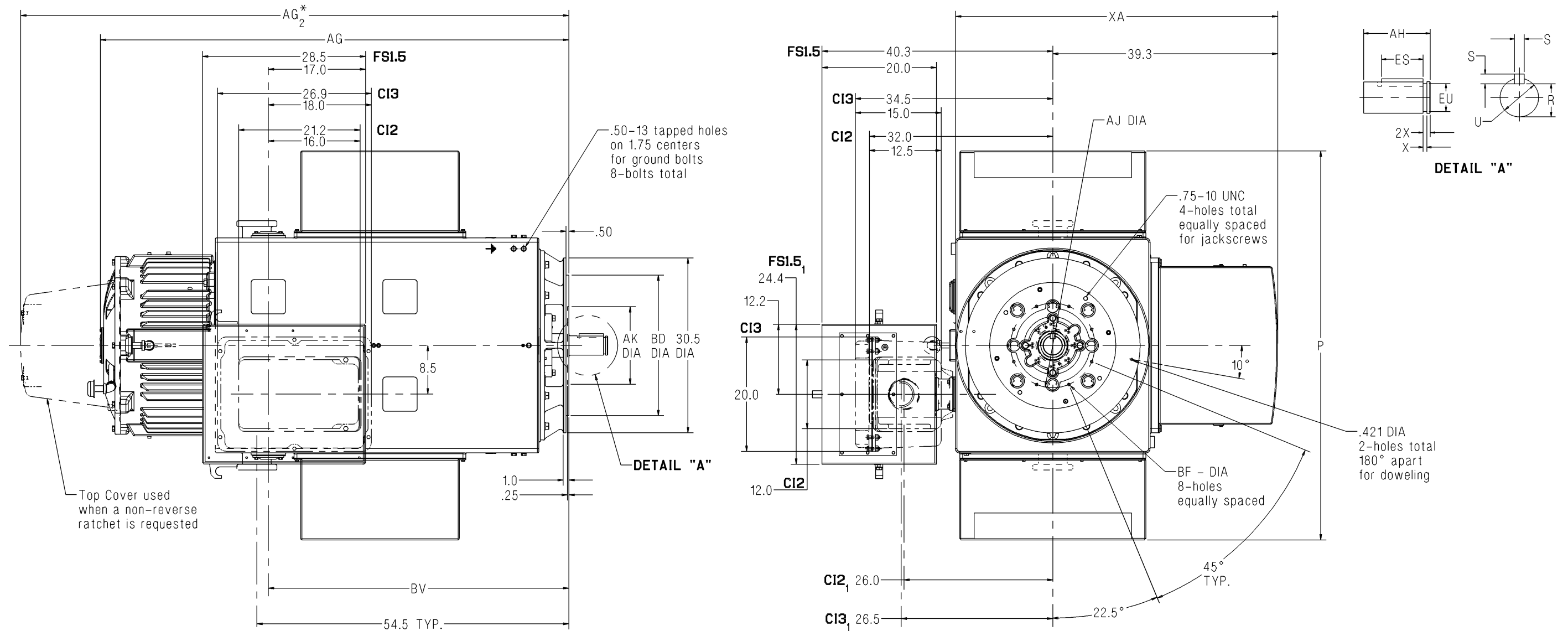


SIEMENS

Dimension Prints for Above NEMA Motors

Type CGV – Vertical Solid Shaft – Open Drip Proof / Weather Protected Type I
 P Flange – Anti-Friction Bearing
 Frame 580 – 4 Pole – Rotatable Main Conduit Box



- Notes:**
1. Main conduit box may be rotated in steps of 90°. A removable bottom plate is supplied on the FS1.5 conduit box. A 5.0 N.P.T. is supplied on the CI2 and CI3 conduit boxes. A 3.0" spacer is supplied on the 580 frame for the FS1.5 conduit box.
 2. AG* = Length of motor from mounting face to end of top cover when a non-reverse ratchet is requested.
 3. Machines may rotate in either direction, except when non-reverse ratchet is specified.
 4. Adding a rotating labyrinth seal to the drive end does not change any dimensions.

Standard Dimensions in Inches

Frame	AG	AG* ₂	Standard										Alternate				Approx. Ship Wt. (Lbs)				
			AH	BV	ES	EU	R	S	U	X	P	XA	BD	AJ	AK	BF					
580	81.3	98.0	7.00	52.5	4.50	3.375	3.309	1.000	3.875	0.500	67.9	56.3	30.5	26.0	22.0	0.812	24.5	14.75	13.5	0.812	9200

Certification: Customer _____ P.O. _____ S.O. _____ Item _____
 HP _____ RPM _____ Frame _____ PH/HZ/Volts 3/_____/_____
 By _____ Date _____ Terminal Box Size CI2 CI3 FS1.5
 Comments _____
 Not for construction, installation or application purposes unless certified.

CGV_580_4PL_AF_ROT
 Revision 02
 02/06/09