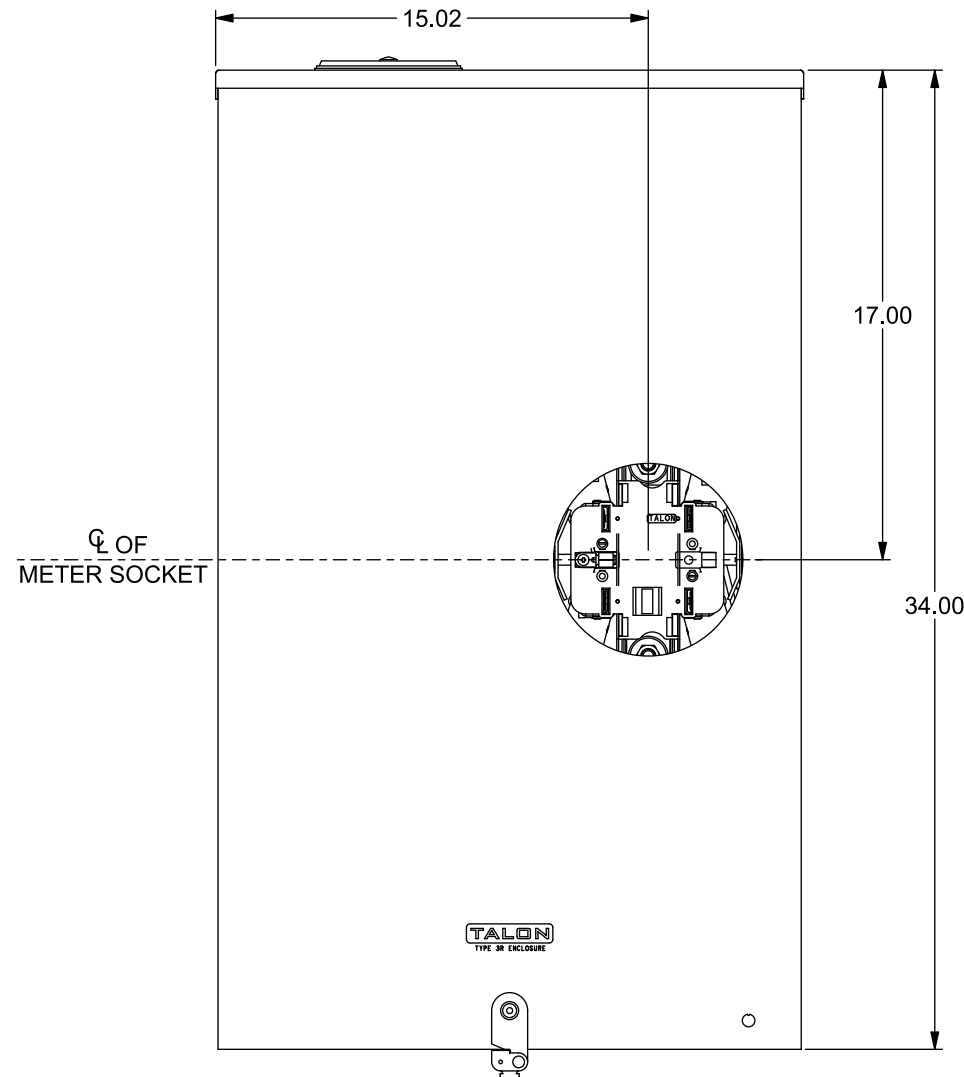
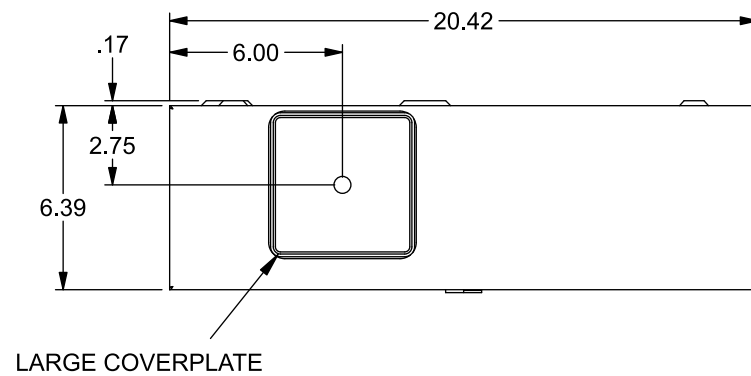


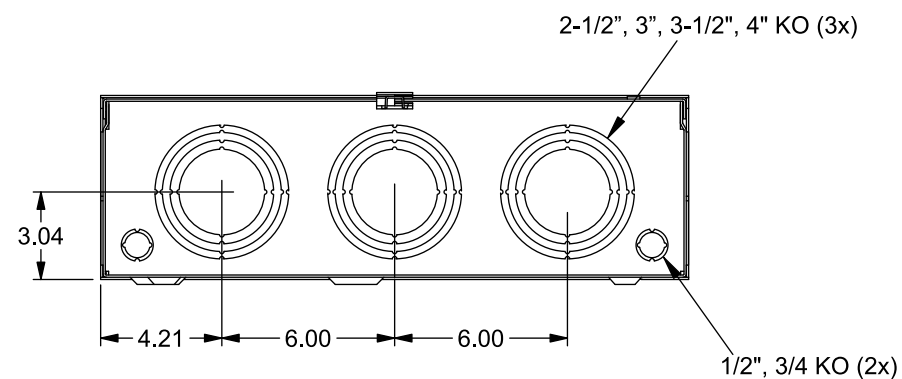
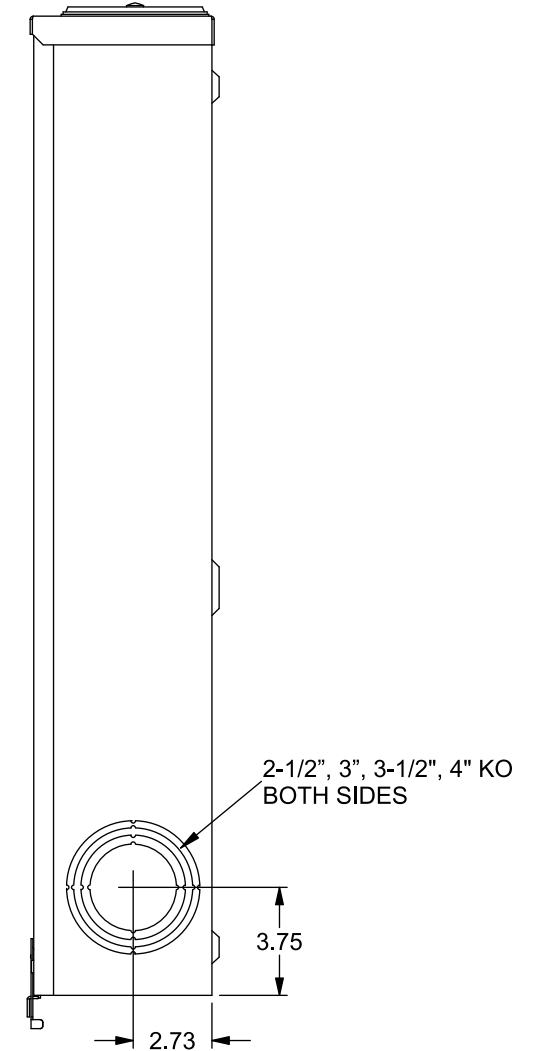
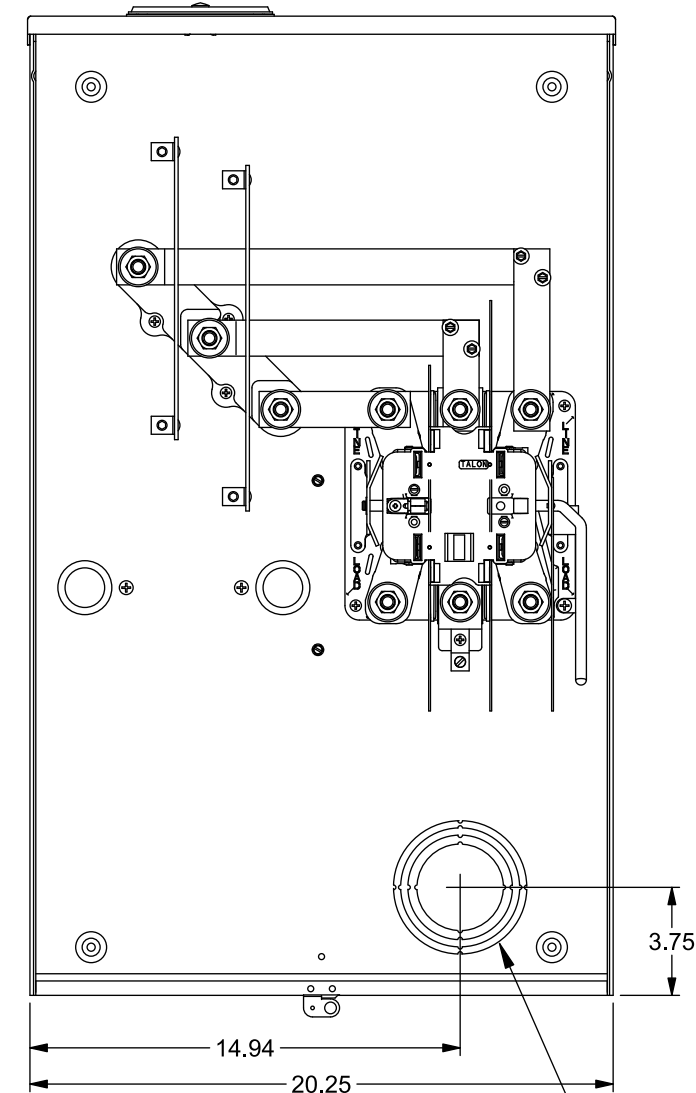
Catalog Number: 44705-02

Features and Ratings

- Ringless Type Meter Socket
- 320A Continuous, 400A Max., 600V AC
- Outdoor Enclosure (NEMA Type 3R)
- Painted G90 Steel Enclosure
- 1 or 3 Phase, 3 Wire, Commercial Socket
- 5 Jaw, Lever Bypass Meter Socket
- 5th Jaw installed in 9 o'Clock position (5th Jaw is not connected)
- Meter Socket Type HQ-5DSW
- For Overhead & Underground Service
- HD Type Hub Opening w/Large Coverplate
- Side Wired



VIEW SHOWN WITH COVER REMOVED



Accessories

CONDUIT HUBS (HD Type)	
TRADE SIZE	CATALOG No.
3 INCH	EC56856 or H56856-2
3-1/2 INCH	EC56857 or H56857-2
4 INCH	EC56858 or H56858-2
Hub Cover Plate	EC56933 or H56933S

Meter Opening Cover Plate
Cat No: H659-0162

Connectors, Wire Sizes and Torques

RECOMMENDED CONNECTORS (TIGHTENING TORQUE FOR CONNECTOR MOUNTING NUTS IS 250 LB-IN)				
LOCATION	PART NO.	WIRE SIZE	HEX	TORQUE
LINE, LOAD, NEUTRAL	H60162	#4 AWG-600 kcmil (2)#1/0 AWG-250 kcmil	1/2"	500 LB-IN
GROUND	67554A	#14 - 2/0 AWG		50 LB-IN

Meets 400 Amp wire bending using up to (2) 250 kcmil

© 2018 Copyright Siemens Industry, Inc.

TALON
Meter Socket

Description: **320A Cont, 5 Jaw, HQ-5DSW, 600V AC, Painted Steel Enclosure**

KAM 8/27/18 | DO NOT SCALE DRAWING | Dwg No: **44705-02**