

# SIEMENS

Siemens Energy & Automation, Inc.  
Bellefontaine, Ohio 43311 U.S.A.  
For questions call 1-800-241-4453 or our web site:  
<http://www.sea.siemens.com/dpd>



## SAFETY INSTRUCTIONS

Note: This instruction outlines recommended installation procedure.

Item : CFS Switch

Page : 1 of 2

**BON POUR ACCORD**

**NOM :**

**DATE :**

**SIGNATURE :**



## DANGER

Hazardous voltage.  
Will cause death or serious injury.

- Turn off switch before removing or installing fuses if so equipped.
- Always use a properly rated voltage sensing device on all fuse clips (Fusible) or all load side terminals (Non-Fusible) to confirm switch is off.
- Disconnect and lock out power supplying this switch before working on this switch.
- Close or replace cover before turning power on.



## PELIGRO

Voltaje Peligroso  
Puede causar muerte o heridas serias

- Apagar el switch antes de remover o instalar fusibles si esta equipado con ellos.
- Usar siempre un instrumento con voltaje adecuado para detectar en los porta fusibles de los switches con fusibles o en las terminales de carga de los switches sin fusibles para asegurar que el switch este apagado.
- Desconectar y retirar la corriente electrica que esta conectada a este switch antes de hacer algo en el
- Cierre o reemplaze la tapa antes de poner el switch en posicion de encendido.



## DANGER

Tension dangereuse  
Peut causer la mort ou de graves blessures

- Ouvrir l'appareil avant d'enlever ou d'installer des fusibles.
- Toujours utiliser un dispositif de detection de tension approprié sur les pinces fusibles (interrupteurs-fusibles) ou sur les plages de puissance côté charge (interrupteurs) pour s'assurer que l'appareil est ouvert.
- Couper et condamner l'alimentation de cet appareil avant d'y intervenir.
- Remettre en place les couvercles avant de fermer l'appareil.

CFSNFPA2 kit to be used with : CFS361C, CFS361J, CFS362J, CFS363J, CFS364J, CFS365J and with CFS type handles.

THIS EQUIPMENT CONTAINS HAZARDOUS VOLTAGES. DEATH, SERIOUS PERSONAL INJURY, OR PROPERTY DAMAGE CAN RESULT IF SAFETY INSTRUCTIONS ARE NOT FOLLOWED. ONLY QUALIFIED PERSONNEL SHOULD WORK ON OR AROUND THIS EQUIPMENT AFTER BECOMING THOROUGHLY FAMILIAR WITH ALL WARNINGS, SAFETY NOTICES, AND MAINTENANCE PROCEDURES CONTAINED HEREIN. THE SUCCESSFUL AND SAFE OPERATION OF THIS EQUIPMENT IS DEPENDENT UPON PROPER HANDLING, INSTALLATION, OPERATION AND MAINTENANCE.

### QUALIFIED PERSON

FOR THE PURPOSE OF THIS MANUAL AND PRODUCT LABELS, A QUALIFIED PERSON IS ONE WHO IS FAMILIAR WITH THE INSTALLATION, CONSTRUCTION AND OPERATION OF THIS EQUIPMENT, AND THE HAZARDS INVOLVED. IN ADDITION, HE OR SHE HAS THE FOLLOWING QUALIFICATIONS:

- Is trained and authorized to energize, de-energize, clear, ground and tag circuits and equipment in accordance with established safety practices.
- Is trained in the proper care and use of protective equipment such as rubber gloves, hard hat, safety glasses or face shields, flash clothing, etc., in accordance with established safety practices.
- Is trained in rendering first aid.

### DANGER

FOR THE PURPOSE OF THIS MANUAL AND PRODUCT LABELS, DANGER INDICATES AN IMMINENTLY HAZARDOUS SITUATION WHICH, IF NOT AVOIDED, WILL RESULT IN DEATH OR SERIOUS INJURY.

### WARNING

FOR THE PURPOSE OF THIS MANUAL AND PRODUCT LABELS, WARNING INDICATES A POTENTIALLY HAZARDOUS SITUATION WHICH, IF NOT AVOIDED, COULD RESULT IN DEATH OR SERIOUS INJURY.

### CAUTION

FOR THE PURPOSE OF THIS MANUAL AND PRODUCT LABELS, CAUTION INDICATES A POTENTIALLY HAZARDOUS SITUATION WHICH, IF NOT AVOIDED, MAY RESULT IN MINOR OR MODERATE INJURY.

### Note

THESE INSTRUCTIONS DO NOT PURPORT TO COVER ALL DETAILS OR VARIATIONS IN EQUIPMENT, NOR TO PROVIDE FOR EVERY POSSIBLE CONTINGENCY TO BE MET IN CONNECTION WITH INSTALLATION, OPERATION OR MAINTENANCE, SHOULD FURTHER INFORMATION BE DESIRED OR SHOULD PARTICULAR PROBLEMS ARISE WHICH ARE NOT COVERED SUFFICIENTLY FOR THE PURCHASER'S PURPOSES, THE MATTER SHOULD BE REFERRED TO THE LOCAL SIEMENS SALES OFFICE. THE CONTENTS OF THIS INSTRUCTION MANUAL SHALL NOT BECOME PART OF OR MODIFY ANY PRIOR OR EXISTING AGREEMENT, COMMITMENT OR RELATIONSHIP. THE SALES CONTRACT CONTAINS THE ENTIRE OBLIGATION OF SIEMENS. THE WARRANTY CONTAINED IN THE CONTRACT BETWEEN THE PARTIES IS THE SOLE WARRANTY OF SIEMENS. ANY STATEMENTS CONTINUED HEREIN DO NOT CREATE NEW WARRANTIES OR MODIFY THE EXISTING WARRANTY.

**HANDLE**

**USED WITH**

**SWITCHES**

CFSNFPA2

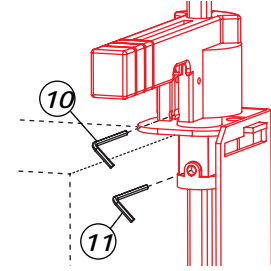
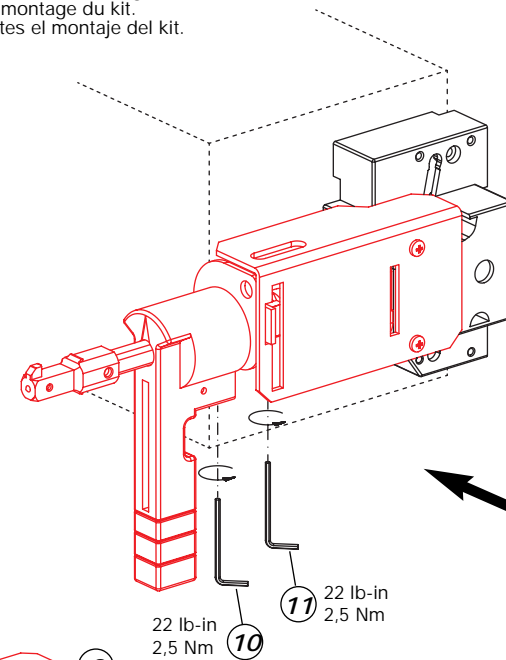
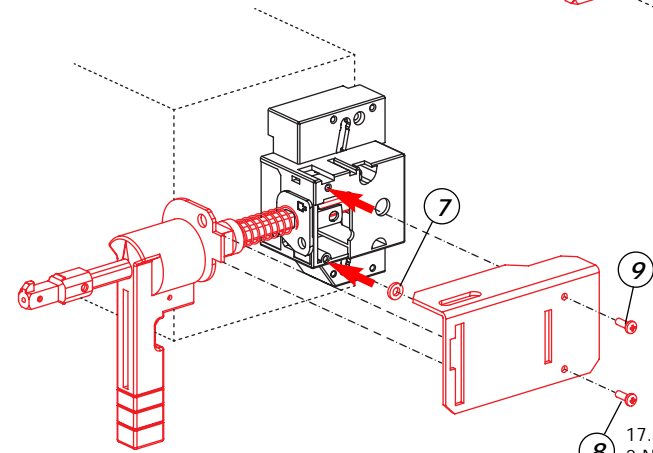
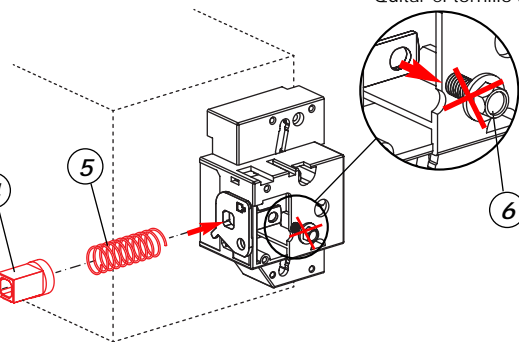
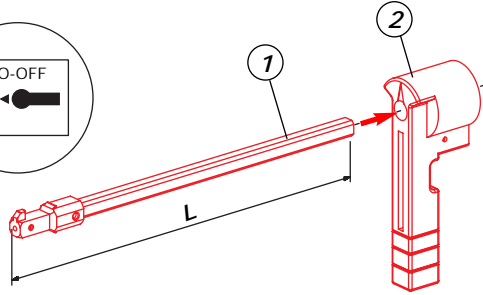
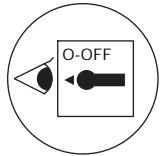


CFS361C CFS363J  
 CFS361J CFS364J  
 CFS362J CFS365J

**VERY IMPORTANT**

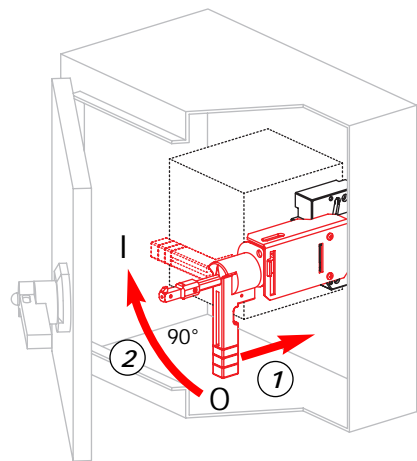
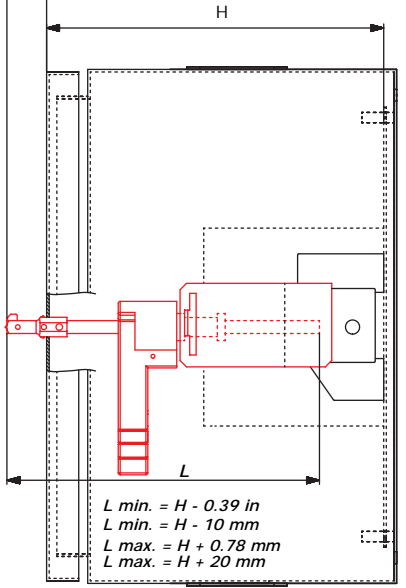


Remove the screw before mounting the kit.  
 Ôter la vis avant le montage du kit.  
 Quitar el tornillo antes el montaje del kit.



**VERY IMPORTANT**

min. 1.35 in / 34,5 mm  
 max. 1.47 in / 37,5 mm

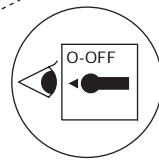


22 lb-in  
 2,5 Nm

17.5 lb-in  
 2 Nm

Padlocking  
 Cadenassage  
 Bloqueable

max. Ø 0.31 in / Ø 8 mm  
 min. Ø 0.19 in / Ø 5 mm



Dual dimensions  
 Double dimensions  
 Doble dimensiones  
 in/mm  
 in/mm  
 in/mm