

SIEMENS

CATALOG NO. 3B5Y225CD16SS

SERIAL NO.

SERIES H

225 kVA 60 Hz 3 PHASE

4.1 % IMP AT 170 °C

150 °C RISE 30 °C AVG. AMBIENT

220 °C TEMP CLASS 40 °C MAX. AMBIENT

PRIMARY (X1 X2 X3) 208V V 10 kV BIL

SECONDARY(H0 H1 H2 H3) 480Y/277V V 10 kV BIL

WINDING MATERIAL CU

ENCLOSURE TYPE 3R WEIGHT 1500 LBS

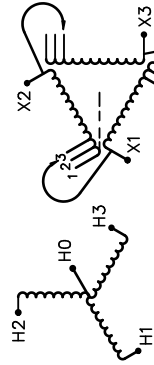
ENERGY EFFICIENCY EXCEEDS CSA DOE 10 CFR PART 431:2016
C802.2-2012

SPACINGS BETWEEN ANY VENTILATED ENCLOSURE PANEL AND
ANY ADJACENT WALL SHALL BE A MINIMUM OF 5 INCHES
EXCEPT WHEN WALL MOUNTED USING APPROVED WALL MOUNTING KIT
TRANSFORMER SUITABLE FOR STEP UP OPERATION ONLY

SUITABLE FOR INDOOR OR OUTDOOR LOCATIONS
BEFORE HANDLING, INSTALLING AND OPERATING, SEE INSTRUCTION MANUAL

NEMA Class ANN Dry Type Transformer

Siemens Industry, Inc. Norcross, GA



VOLTS
218
208
198

CONNECT
1
2
3



3B5Y225CD16SS



SEISMIC QUALIFICATIONS, FLOOR MOUNT ONLY
OSP-0136-10 IBC 2012/ASCE 7-10
SDS<=2.0g Z/h=1 Ip=1.5

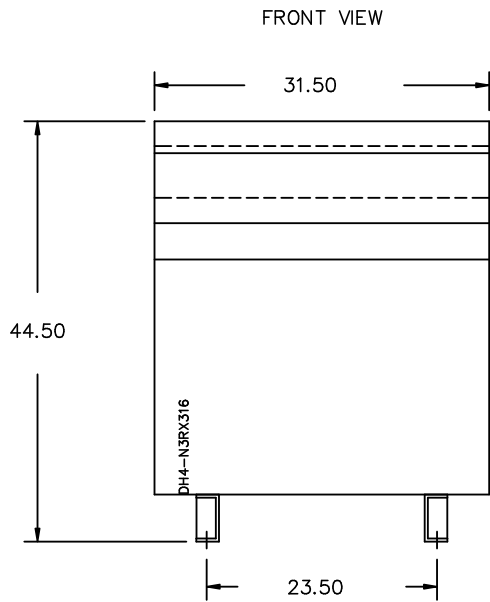
TYPE K



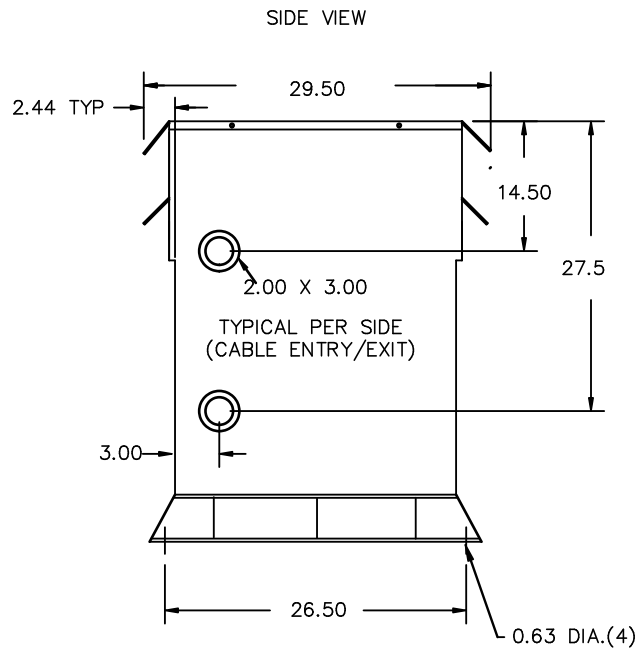
DRY TYPE TRANSFORMER E112313 LR 3902

REVISION	DATE	BY	DATE	BY
		DRAWN	16/02/12	PP
		CHEK'D		
		VERIF'D		

Confidential - Property of Siemens Industry, Inc.		
CUSTOMER	ORDER NO.	DWG. NO.
		3B5Y225CD16SS
		SH 1 OF 2



All Dimensions in inches

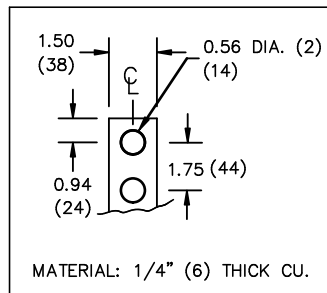


ENCLOSURE COLOR :316 STAINLESS STEEL FINISH #3 POLISH

H.V.1. TERMINAL DETAIL

L.V.1. TERMINAL DETAIL

MECHANICAL TYPE LUGS INCLUDED
SUITABLE FOR 600MCM-2 CU/AL
CONDUCTORS
1 CONDUCTOR PER PHASE



CUSTOMER NOTES:

- HV1 TERMINATED AT BOTTOM FRONT
- LV1 TERMINATED AT TOP FRONT

Confidential - Property of
Siemens Industry, Inc.

REVISION	DATE	BY	DATE	BY	CUSTOMER
			DRAWN 16/02/12	PP	
			CHEK'D		
			VERIF'D		
					ORDER NO.
					DWG. NO. 3B5Y225CD16SS
					SH 2 OF 2