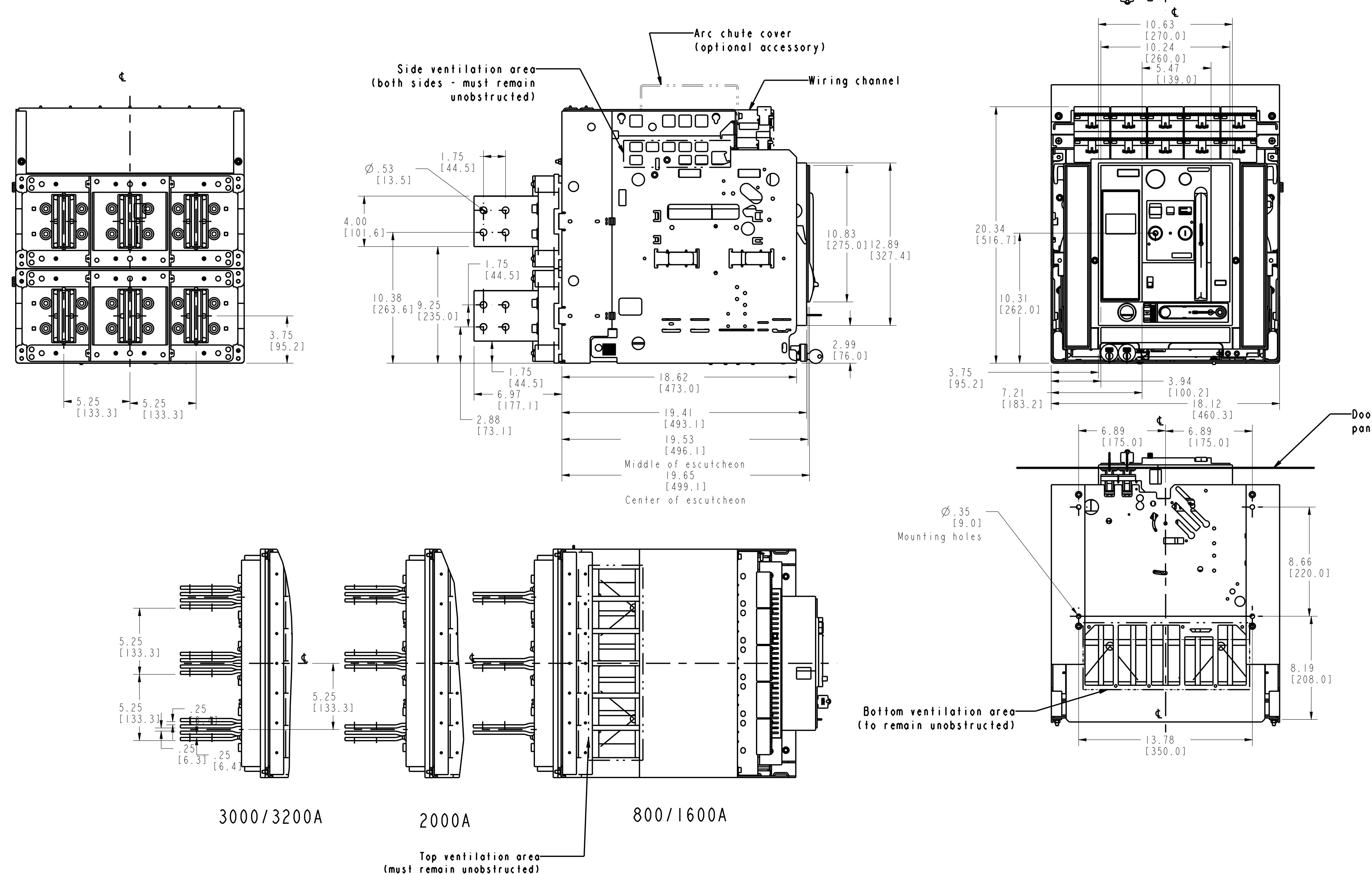


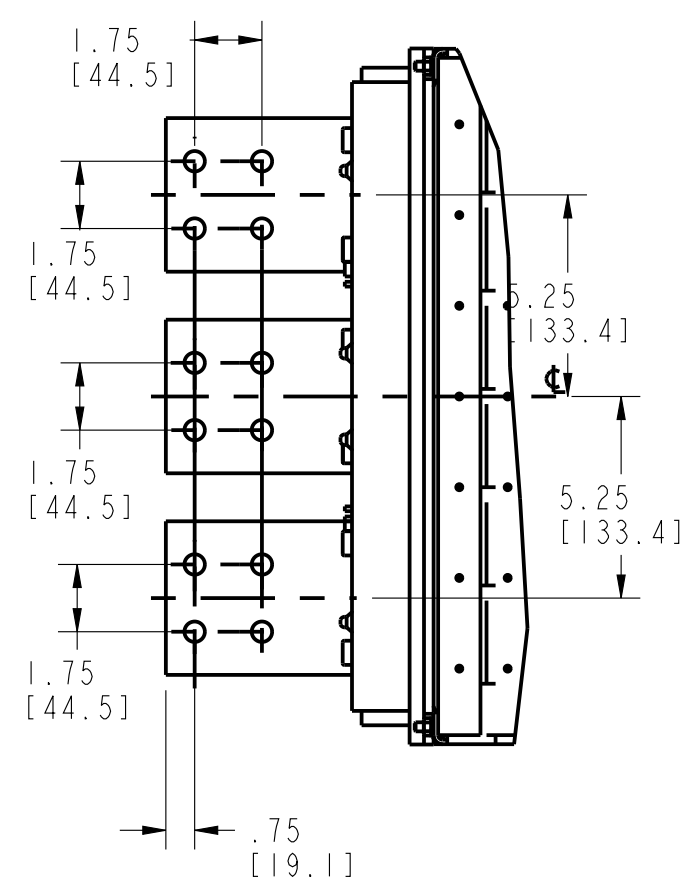
REVISIONS				
REV	ECN/MCR	DESCRIPTION	DATE CHANGED BY	APPROVED BY
OP		INITIAL PRELIMINARY RELEASE	07-01-15	M. Rodr



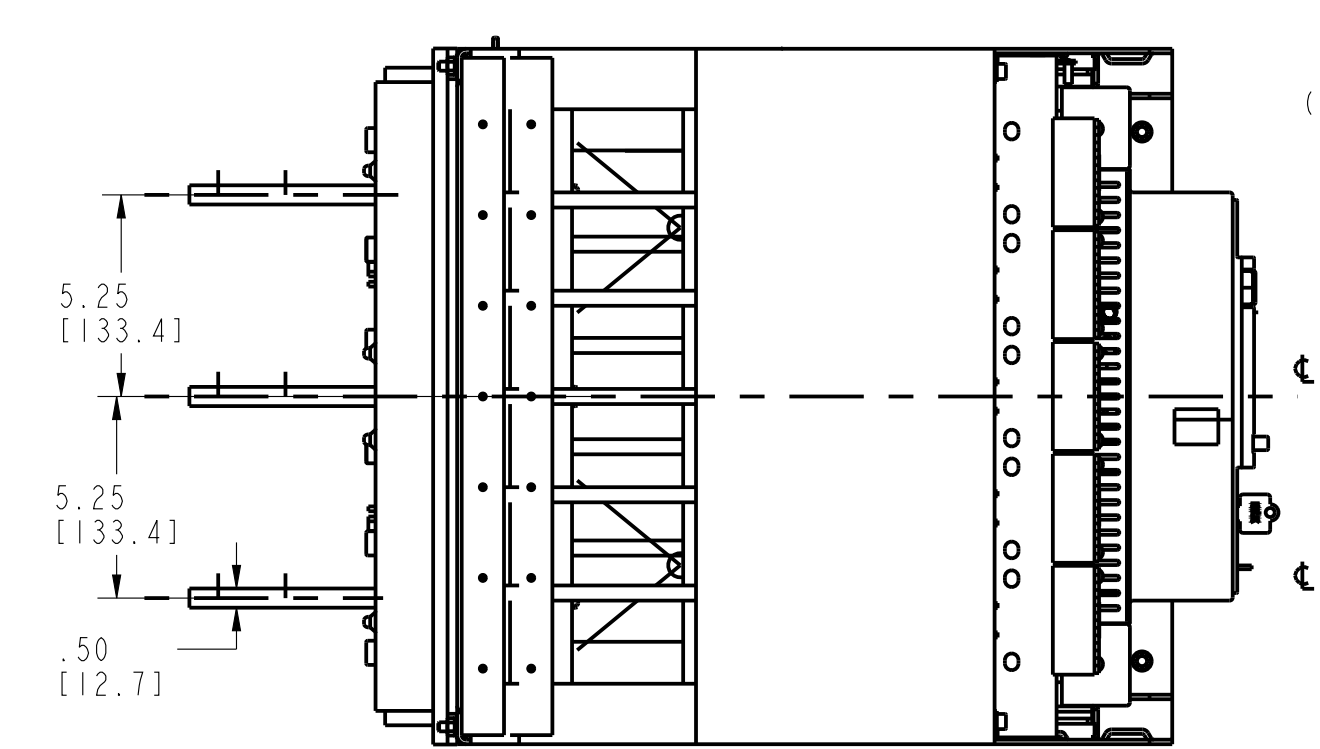
814880	Drawing applicable for the following frames WLN2A308, WLN2A316, WLS2A308, WLS2A316, WLS2A320, WLS2A332, WLH2A308, WLH2A316, WLH2A320, WLH2A332, WLL2A308, WLL2A316, WLL2A320, WLL2A332, WLL2S308, WLL2S316, WLL2S320, WLL2S332																					
PART OR IDENTIFYING NO.	MATERIAL/SPECIFICATION																					
CONFIDENTIAL - PROPERTY OF Siemens Industry, Inc.																						
<b>Siemens Industry, Inc.</b>																						
<b>UL 1066 FS2 Drawout 3P</b> Classes N, S, H, & L																						
TOLERANCES: .X ± .01 .XXX ± .005 ANGULAR ± 1.00	<table border="1"> <tr> <td>DWN M. Rodr</td> <td>DATE 7-01-15</td> <td>SIZE</td> <td>FSCM NO.</td> <td>DWG NO.</td> <td>REV.</td> </tr> <tr> <td>CHK S. Puppala</td> <td>DATE 7-06-15</td> <td></td> <td></td> <td>814880</td> <td>OP</td> </tr> <tr> <td>APVD K. Flowers</td> <td>DATE 7-10-15</td> <td>SCALE 1:5</td> <td>PROJ FILE 814880</td> <td>SHEET 1 OF 2</td> <td></td> </tr> </table>				DWN M. Rodr	DATE 7-01-15	SIZE	FSCM NO.	DWG NO.	REV.	CHK S. Puppala	DATE 7-06-15			814880	OP	APVD K. Flowers	DATE 7-10-15	SCALE 1:5	PROJ FILE 814880	SHEET 1 OF 2	
DWN M. Rodr	DATE 7-01-15	SIZE	FSCM NO.	DWG NO.	REV.																	
CHK S. Puppala	DATE 7-06-15			814880	OP																	
APVD K. Flowers	DATE 7-10-15	SCALE 1:5	PROJ FILE 814880	SHEET 1 OF 2																		

REVISIONS				
REV	ECN/MCR	DESCRIPTION	DATE CHANGED BY	APPROVED BY
OP		Description of changes see sheet 1		

**HORIZONTAL MAIN BUS CONNECTORS**

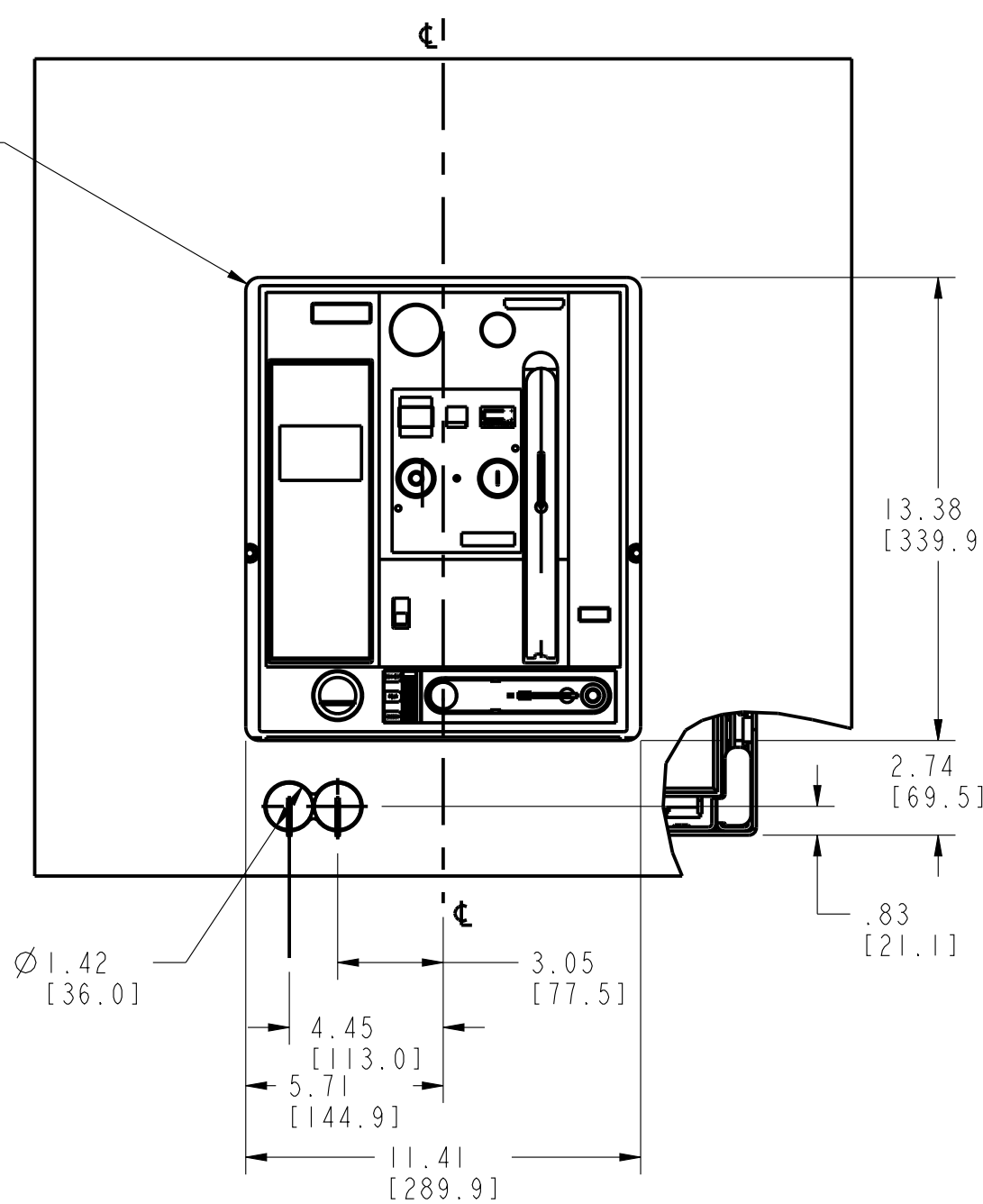


**VERTICAL MAIN BUS CONNECTORS**

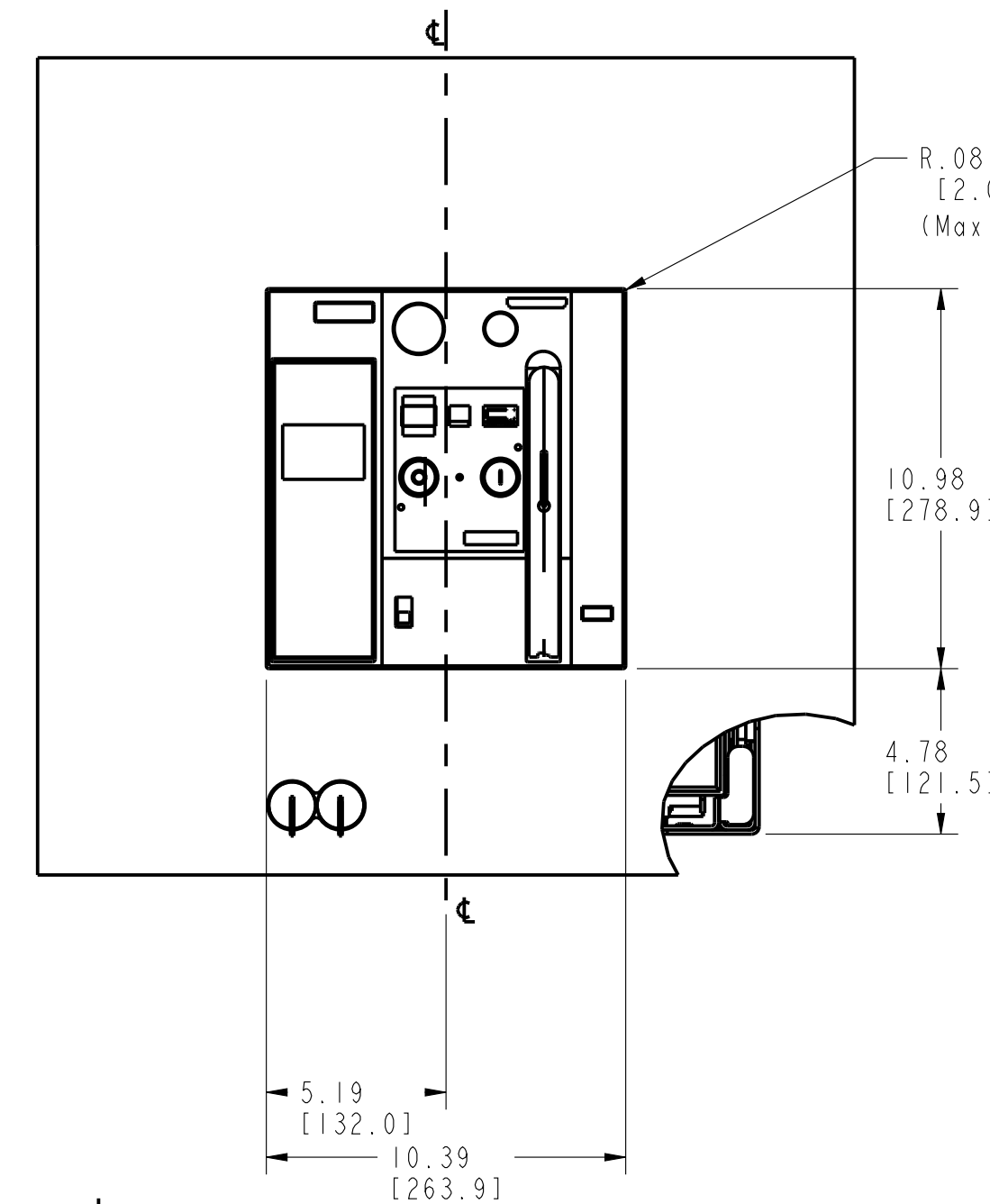


**NOTE:**  
 ROTATABLE MAIN BUS CONNECTORS ARE ONLY AVAILABLE UNDER THE FOLLOWING CONDITIONS:  
 (1) ONLY ACCEPTABLE FOR FS2 800A - 2000A FRAME SIZES  
 (2) ONLY ACCEPTABLE FOR SHORT CIRCUIT RATINGS OF 85kAIC OR LESS

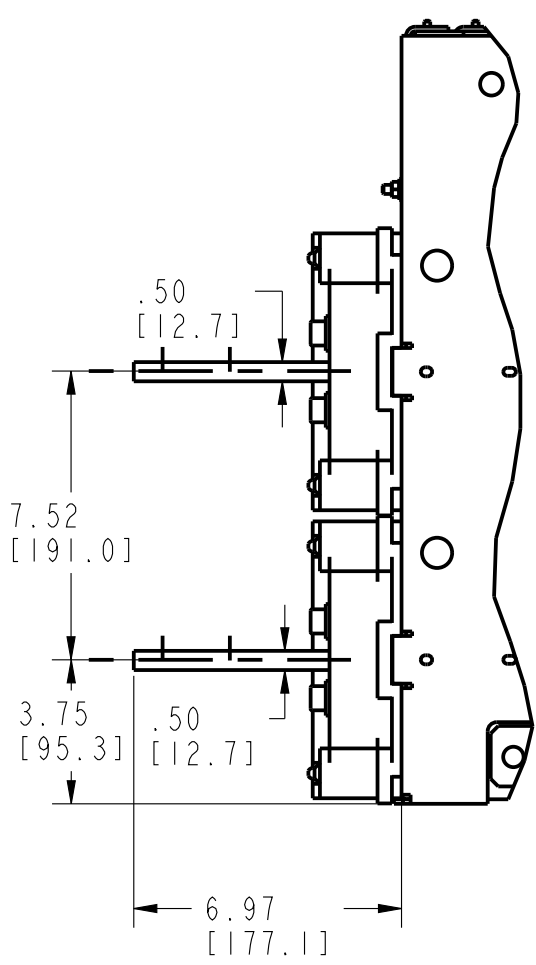
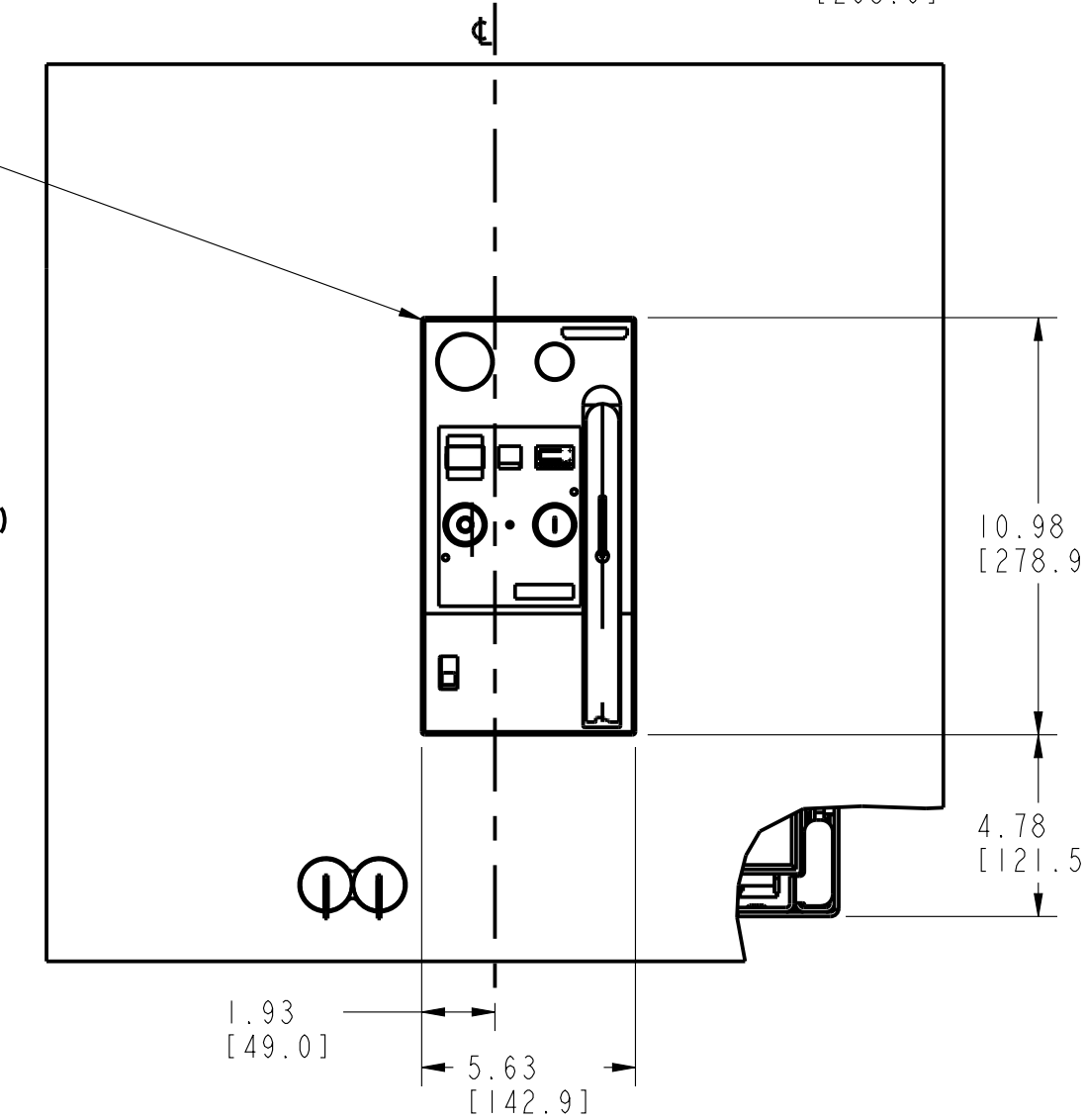
**Door cut-out (with edge protector)  
 (Cut-out after mounting edge protector)**



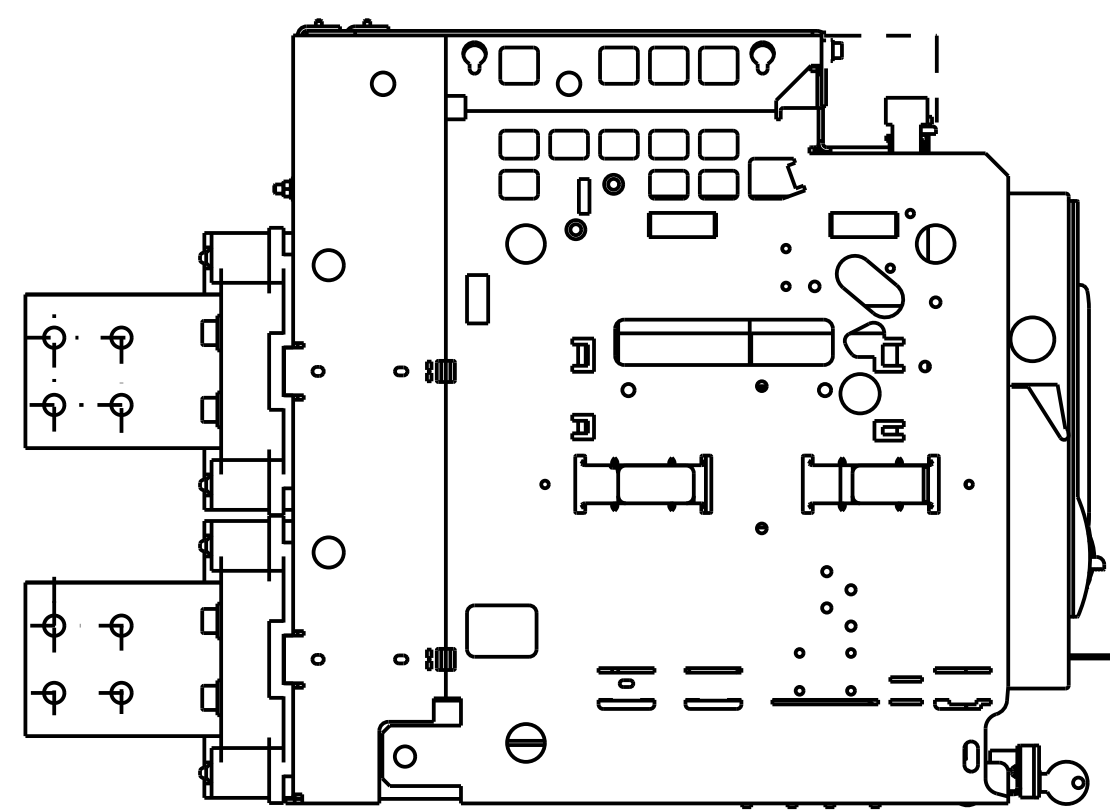
**Door cut-out  
 (Middle escutcheon visible)**



**Minimal door cut-out  
 (Only center escutcheon visible)**

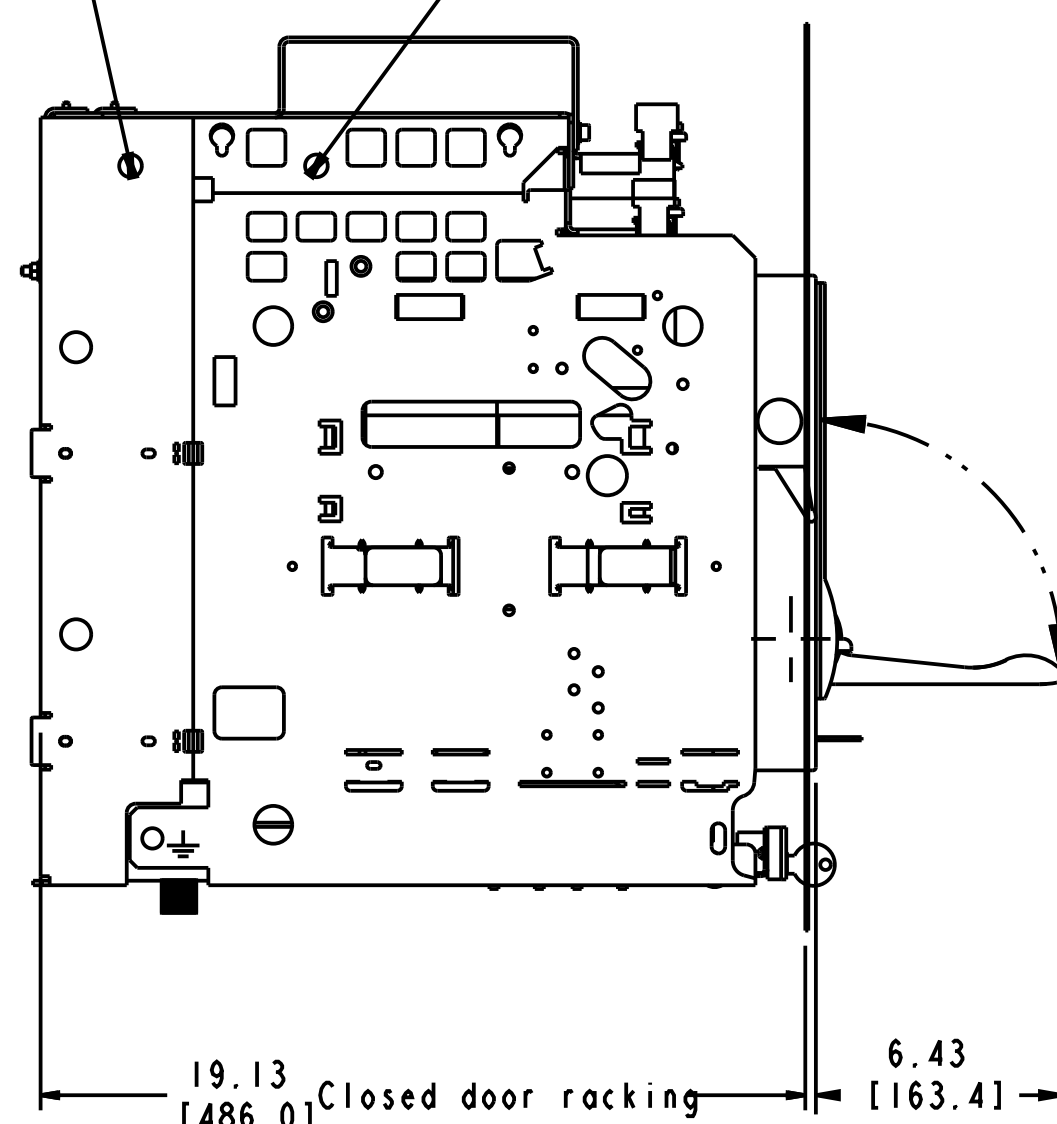
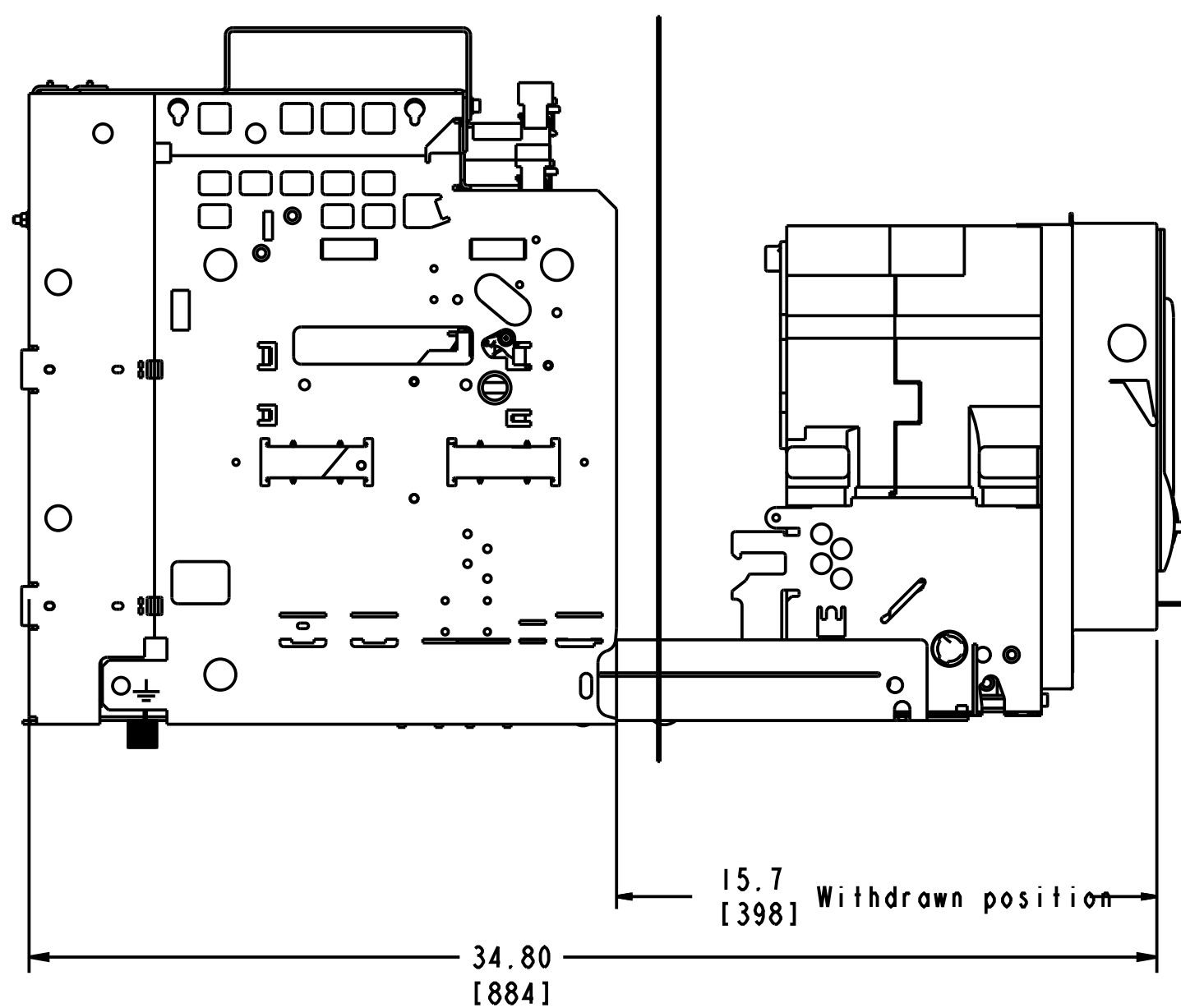


**OPTIONAL BUS CONNECTIONS  
 (90° ROTATABLE T-CONNECTOR)**

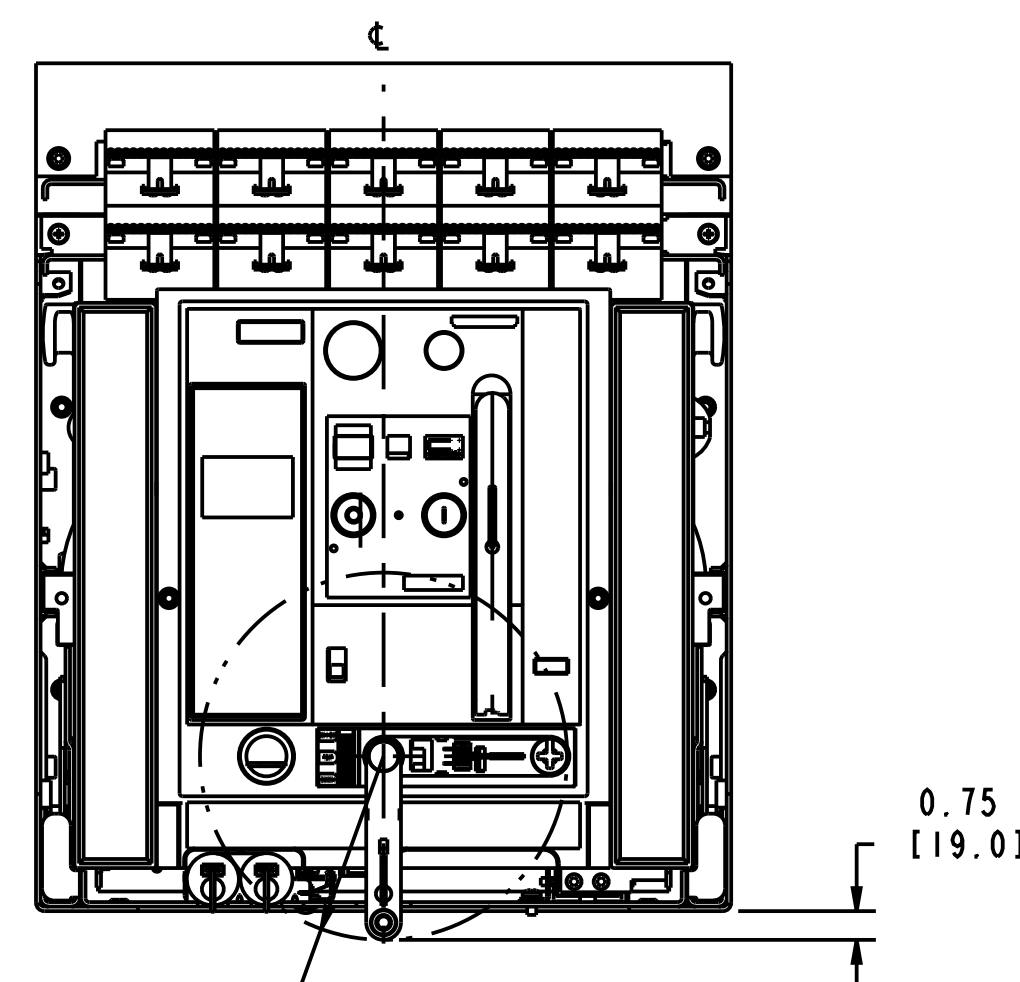


**Lifting Point  
 (Cradle only)  
 Do not lift by other points.**

**Lifting Point  
 (Cradle and Breaker)  
 Do not lift by other points.**



**Minimum free space  
 for breaker racking**



814880	Drawing applicable for the following frames WLN2A308, WLN2A316, WLS2A308, WLS2A316, WLS2A320, WLS2A332, WLH2A308, WLH2A316, WLH2A320, WLH2A332, WLL2A308, WLL2A316, WLL2A320, WLL2A332, WLL2S308, WLL2S316, WLL2S320, WLL2S332																					
PART OR IDENTIFYING NO.	MATERIAL/SPECIFICATION																					
CONFIDENTIAL - PROPERTY OF Siemens Industry, Inc.																						
<b>Siemens Industry, Inc.</b>																						
<b>UL 1066 FS2 Drawout 3P</b> Classes N, S, H, & L																						
TOLERANCES: .X1 ± .01 .XXX ± .005 ANGULAR ± 1.00	<table border="1"> <tr> <td>DWN M. Rodr</td> <td>DATE 7-01-15</td> <td>SIZE</td> <td>FSCM NO.</td> <td>DWG NO.</td> <td>REV.</td> </tr> <tr> <td>CHK S. Puppala</td> <td>DATE 7-10-15</td> <td><b>D</b></td> <td></td> <td><b>814880</b></td> <td><b>OP</b></td> </tr> <tr> <td>APVD K. Flowers</td> <td>DATE 7-06-15</td> <td>SCALE 1:5</td> <td>PROJ FILE 814880</td> <td>SHEET 2</td> <td>OF 2</td> </tr> </table>				DWN M. Rodr	DATE 7-01-15	SIZE	FSCM NO.	DWG NO.	REV.	CHK S. Puppala	DATE 7-10-15	<b>D</b>		<b>814880</b>	<b>OP</b>	APVD K. Flowers	DATE 7-06-15	SCALE 1:5	PROJ FILE 814880	SHEET 2	OF 2
DWN M. Rodr	DATE 7-01-15	SIZE	FSCM NO.	DWG NO.	REV.																	
CHK S. Puppala	DATE 7-10-15	<b>D</b>		<b>814880</b>	<b>OP</b>																	
APVD K. Flowers	DATE 7-06-15	SCALE 1:5	PROJ FILE 814880	SHEET 2	OF 2																	