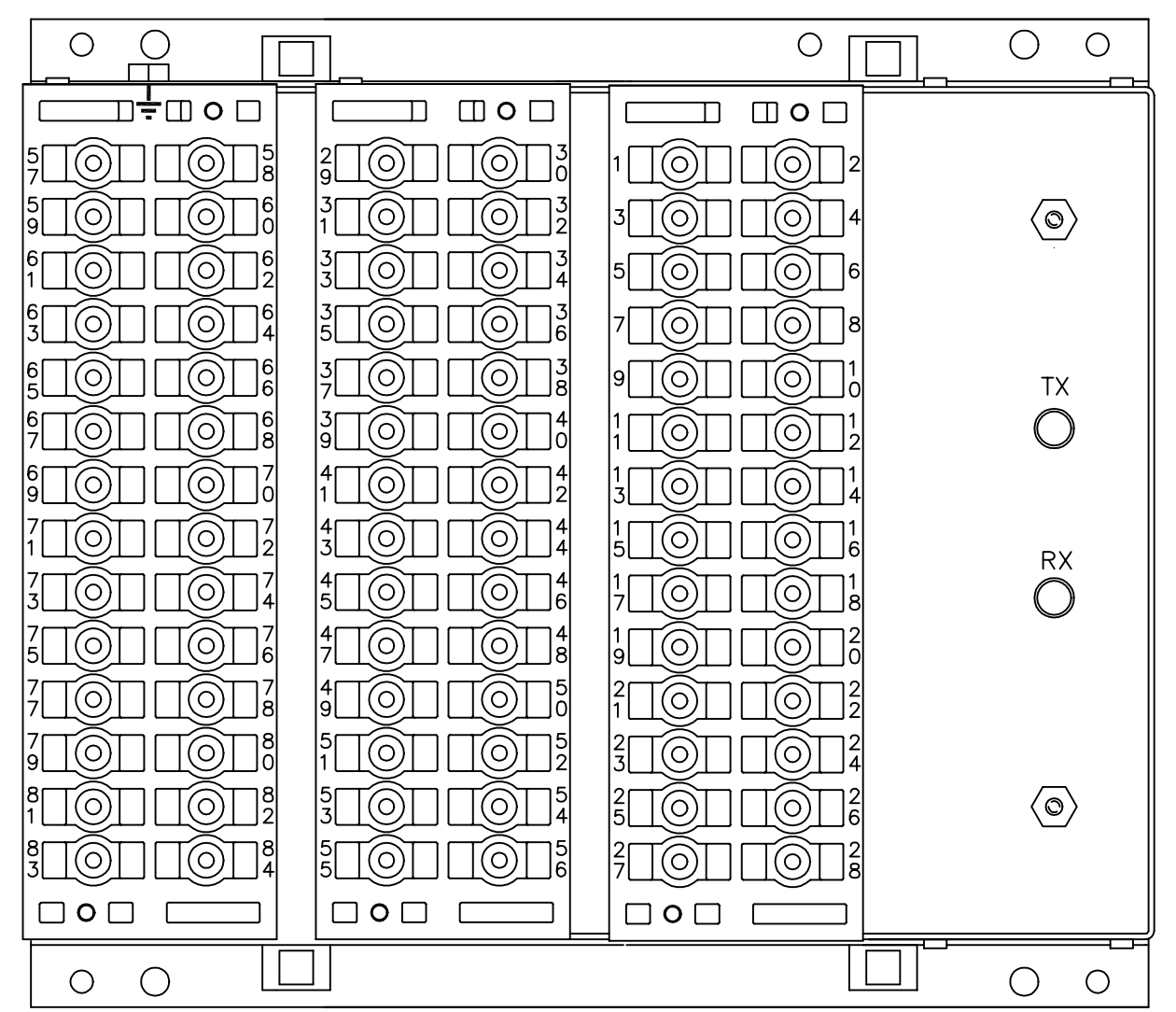
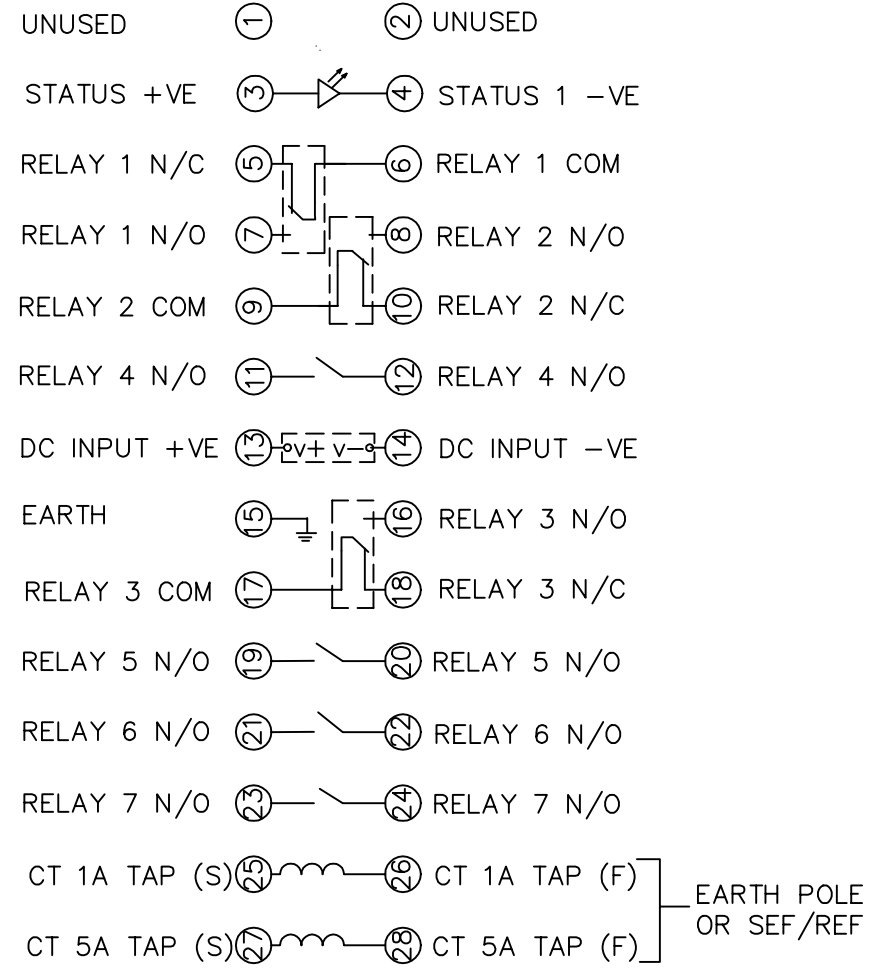
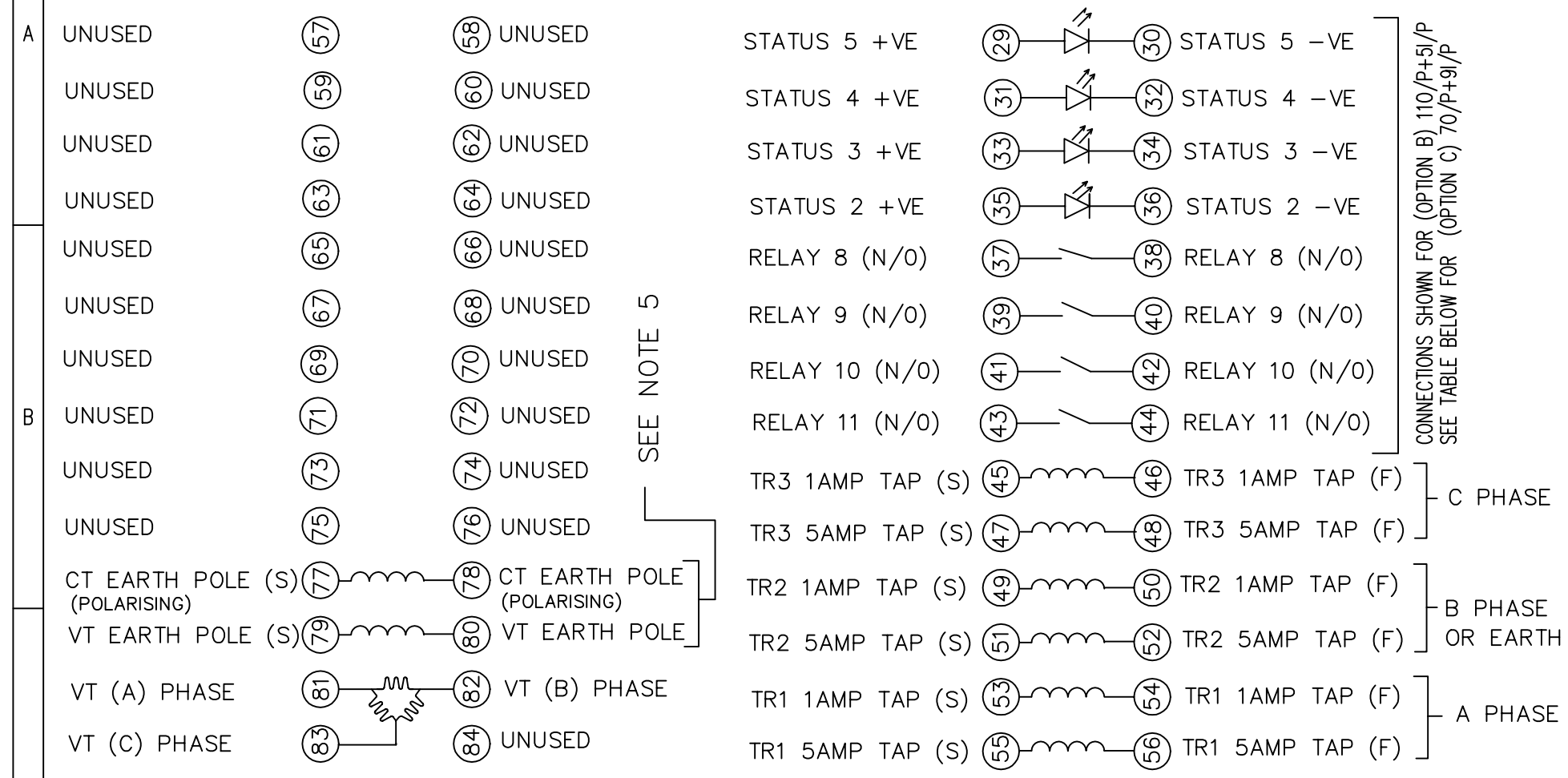


IF IN DOUBT ASK  
DO NOT SCALE



BOX VIEWED FROM REAR

OUTER TERMINAL BLOCK ASSY:-  
VIEW BLOCK FROM THE INSIDE FACE

OUTER TERMINAL BLOCK ASSY:-  
VIEW BLOCK FROM THE INSIDE FACE

OUTER TERMINAL BLOCK ASSY:-  
VIEW BLOCK FROM THE INSIDE FACE

ASSEMBLY INSTRUCTIONS:-  
TYPICAL ASSEMBLY DRAWING 2995G10029  
AT INDICATED POSITIONS FIT AS FOLLOWS,  
S - FIT STANDARD CONTACT  
2995B10051  
HC - FIT 'HEAVY CURRENT' KIT  
2995G10030  
WHERE -o-o- IS SHOWN FIT  
CT SHORTING KIT 2995G10031  
POSITIONS SHOWN BLANK ARE UNUSED  
ALL POSITIONS FIT SCREW 2106F12506

58	S	S	57
60	S	S	59
62	S	S	61
64	S	S	63
66	S	S	65
68	S	S	67
70	S	S	69
72	S	S	71
74	S	S	73
76	S	S	75
78	-o-o-	-o-o-	77
80	S	S	79
82	S	S	81
84	S	S	83

ASSEMBLY INSTRUCTIONS:-  
TYPICAL ASSEMBLY DRAWING 2995G10029  
AT INDICATED POSITIONS FIT AS FOLLOWS,  
S - FIT STANDARD CONTACT  
2995B10051  
HC - FIT 'HEAVY CURRENT' KIT  
2995G10030  
WHERE -o-o- IS SHOWN FIT  
CT SHORTING KIT 2995G10031  
POSITIONS SHOWN BLANK ARE UNUSED  
ALL POSITIONS FIT SCREW 2106F12506

30	S	S	29
32	S	S	31
34	S	S	33
36	S	S	35
38	S	S	37
40	S	S	39
42	S	S	41
44	S	S	43
46	-o-o-	-o-o-	45
48	-o-o-	-o-o-	47
50	-o-o-	-o-o-	49
52	-o-o-	-o-o-	51
54	-o-o-	-o-o-	53
56	-o-o-	-o-o-	55

ASSEMBLY INSTRUCTIONS:-  
TYPICAL ASSEMBLY DRAWING 2995G10029  
AT INDICATED POSITIONS FIT AS FOLLOWS,  
S - FIT STANDARD CONTACT  
2995B10051  
HC - FIT 'HEAVY CURRENT' KIT  
2995G10030  
WHERE -o-o- IS SHOWN FIT  
CT SHORTING KIT 2995G10031  
POSITIONS SHOWN BLANK ARE UNUSED  
ALL POSITIONS FIT SCREW 2106F12506

2	S	S	1
4	S	S	3
6	-o-o-	-o-o-	5
8	S	S	7
10	-o-o-	-o-o-	9
12	S	S	11
14	S	S	13
16	S	S	15
18	-o-o-	-o-o-	17
20	S	S	19
22	S	S	21
24	S	S	23
26	-o-o-	-o-o-	25
28	-o-o-	-o-o-	27

CHASSIS TERMINAL BLOCK ASSY:-(CHASS T/B 3)  
VIEW FROM NUMBERED SIDE OF BLOCK

CHASSIS TERMINAL BLOCK ASSY:-(CHASS T/B 2)  
VIEW FROM NUMBERED SIDE OF BLOCK

CHASSIS TERMINAL BLOCK ASSY:-(CHASS T/B 1)  
VIEW FROM NUMBERED SIDE OF BLOCK

ASSEMBLY INSTRUCTIONS:-  
TYPICAL ASSEMBLY DRAWING 2995G10032  
AT INDICATED POSITIONS FIT AS FOLLOWS,  
T - FIT TRIP ISOLATION CONTACT  
2995B10053  
S - FIT STANDARD CONTACT  
2995B10054  
POSITIONS SHOWN BLANK ARE UNUSED

2	T	T	1
4	T	T	3
6	T	T	5
8	T	T	7
10	T	T	9
12	T	T	11
14	T	T	13
16	T	T	15
18	T	T	17
20	T	T	19
22	S	S	21
24	S	S	23
26	S	S	25
28	S	S	27

ASSEMBLY INSTRUCTIONS:-  
TYPICAL ASSEMBLY DRAWING 2995G10032  
AT INDICATED POSITIONS FIT AS FOLLOWS,  
T - FIT TRIP ISOLATION CONTACT  
2995B10053  
S - FIT STANDARD CONTACT  
2995B10054  
POSITIONS SHOWN BLANK ARE UNUSED

2	T	T	1
4	T	T	3
6	T	T	5
8	T	T	7
10	T	T	9
12	T	T	11
14	T	T	13
16	T	T	15
18	S	S	17
20	S	S	19
22	S	S	21
24	S	S	23
26	S	S	25
28	S	S	27

ASSEMBLY INSTRUCTIONS:-  
TYPICAL ASSEMBLY DRAWING 2995G10032  
AT INDICATED POSITIONS FIT AS FOLLOWS,  
T - FIT TRIP ISOLATION CONTACT  
2995B10053  
S - FIT STANDARD CONTACT  
2995B10054  
POSITIONS SHOWN BLANK ARE UNUSED

2	S	S	1
4	T	T	3
6	S	S	5
8	T	T	7
10	S	S	9
12	T	T	11
14	S	S	13
16	T	T	15
18	S	S	17
20	T	T	19
22	T	T	21
24	T	T	23
26	S	S	25
28	S	S	27

NOTES:  
1) FOR TYPICAL CHASSIS ASSEMBLY SEE 2434H50006  
FOR E8 CASE ASSY -ST COMMS. - SEE 2434H50009 (STANDARD RELAY)  
FOR E8 CASE ASSY -SMA COMMS. - SEE 2434H50003 (NOW NON-STANDARD)  
2) TERMINALS RECOMMENDED ARE PRE INSULATED & MUST BE CRIMPED USING APPROVED TOOLING.  
AMP PIDG OR PLASTI GRIP FUNNEL ENTRY (RING TONGUE) FOR M4 FIXING STUD.

**NOT SUBJECT TO UPDATE  
ONCE COPIED / PRINTED  
OR DOWNLOADED**

SUPPLIER	AMP	CABLE SIZE
AMP	342103	0.25-1.6 SQ MM
AMP	342143	1.0-2.6 SQ MM.

OR ANY OTHER MANUFACTURERS EQUIVALENT TERMINAL.

3) FOR OUTLINE & DRILLING DRG SEE 2995X10008 (A4).  
4) CT OR VT POLARISATION IS AVAILABLE (FOR CLARITY DRG SHOWS BOTH VT & CT TERMINATIONS)  
5) CHASSIS TERMINAL BLOCK IDENTIFICATION REFERENCES (CHASS T/B 1, T/B 2 & T/B 3) ARE FOR PRODUCTION IDENTIFICATION PURPOSES ONLY.

MATERIAL:

Dimensions in millimetres ; Surface texture in micrometres.  
Machine where marked ✓  
For explanation of dimensions, tolerances, notes etc. see B.S.308.  
Limit on untoleranced unmachined dimensions ±  
Limits on untoleranced machined dimensions to B.S.4500;  
i.e. up to 6±0.1; over 30 to 120±0.3; over 315±0.8;  
over 6 to 30±0.2; over 120 to 315±0.5;  
General unmachined angular tolerance ±

Finish:  
Treatment:

Title:  
TERMINAL IDENTIFICATION & RELAY WIRING DIAGRAM  
4 POLE DIRECTIONAL DCD RELAY (E8 CASE)  
**Reyrolle Protection  
Hebburn.**

Original Scale:  
1:1

First used on:  
Similar Articles:  
Supersedes:  
Drg. No.  
**2434W50003**

PROTECTION TYPE	SCHEMATIC DIAGRAM VERSION B	SCHEMATIC DIAGRAM VERSION C
3 PHASE (DIR)	2434W10063 (A3)	2434W10064 (A3)
2 PHASE (DIR)+SEF	2434W10065 (A3)	2434W10066 (A3)
2 PHASE(DIR)+EARTH(DIR)	2434W10067 (A3)	2434W10068 (A3)
2 PHASE(DIR)+EARTH		
3 PHASE(DIR)+EARTH(DIR)	2434W10071 (A3)	2434W10072 (A3)
3 PHASE(DIR)+EARTH		
3 PHASE(DIR)+SEF	2434W10073 (A3)	2434W10074 (A3)
2 PHASE(DIR)+E+(DIR)+SEF	2434W10077 (A3)	2434W10078 (A3)

4 RDW	09/06/03	MN434/2535
3	22/3/00	MN434/158
2	22/11/99	MN434/150
1	20/7/99	CHANGE
	ISSUE	DATE
		NOTED

Copyright © 1999 Reyrolle Ltd.