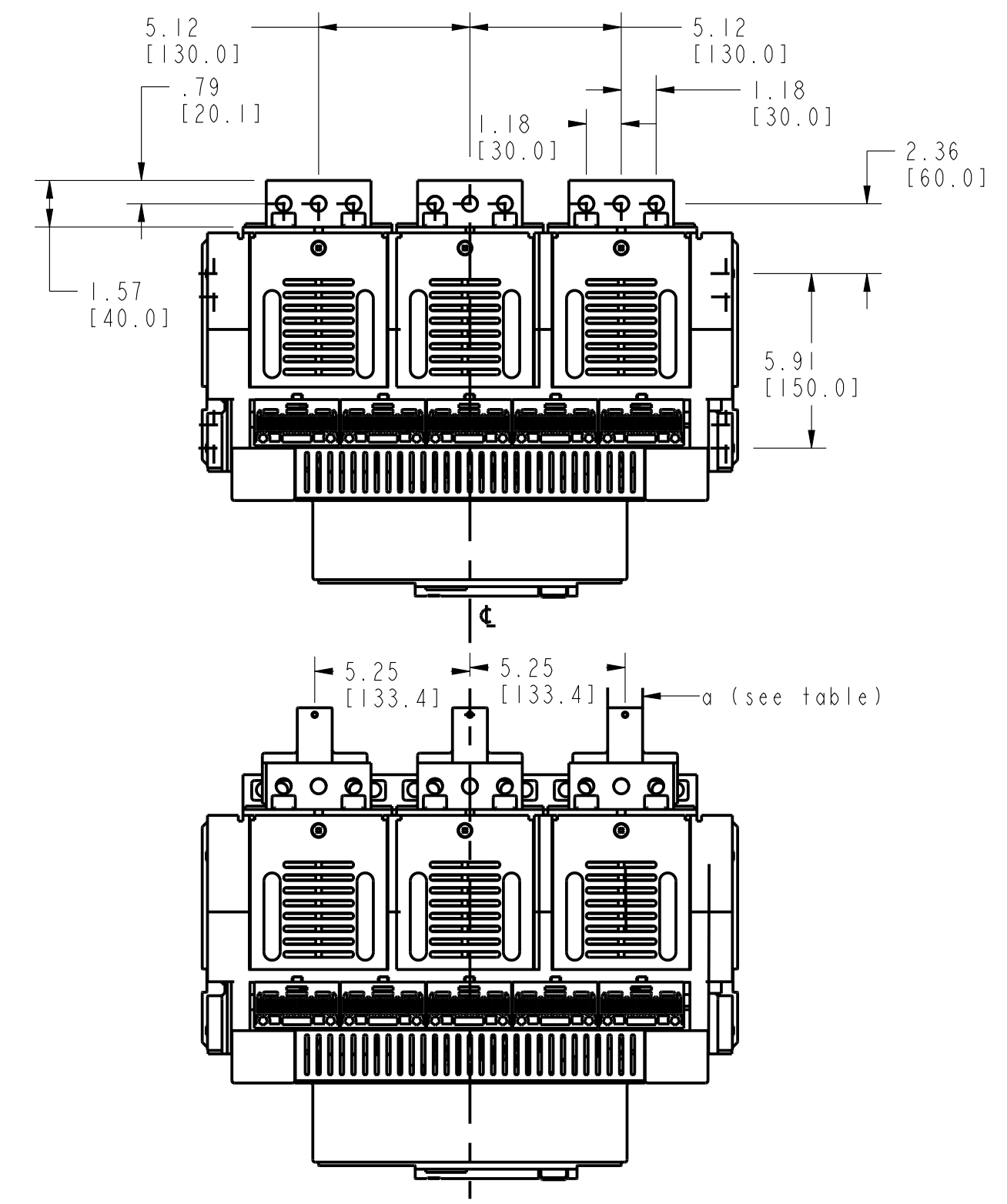
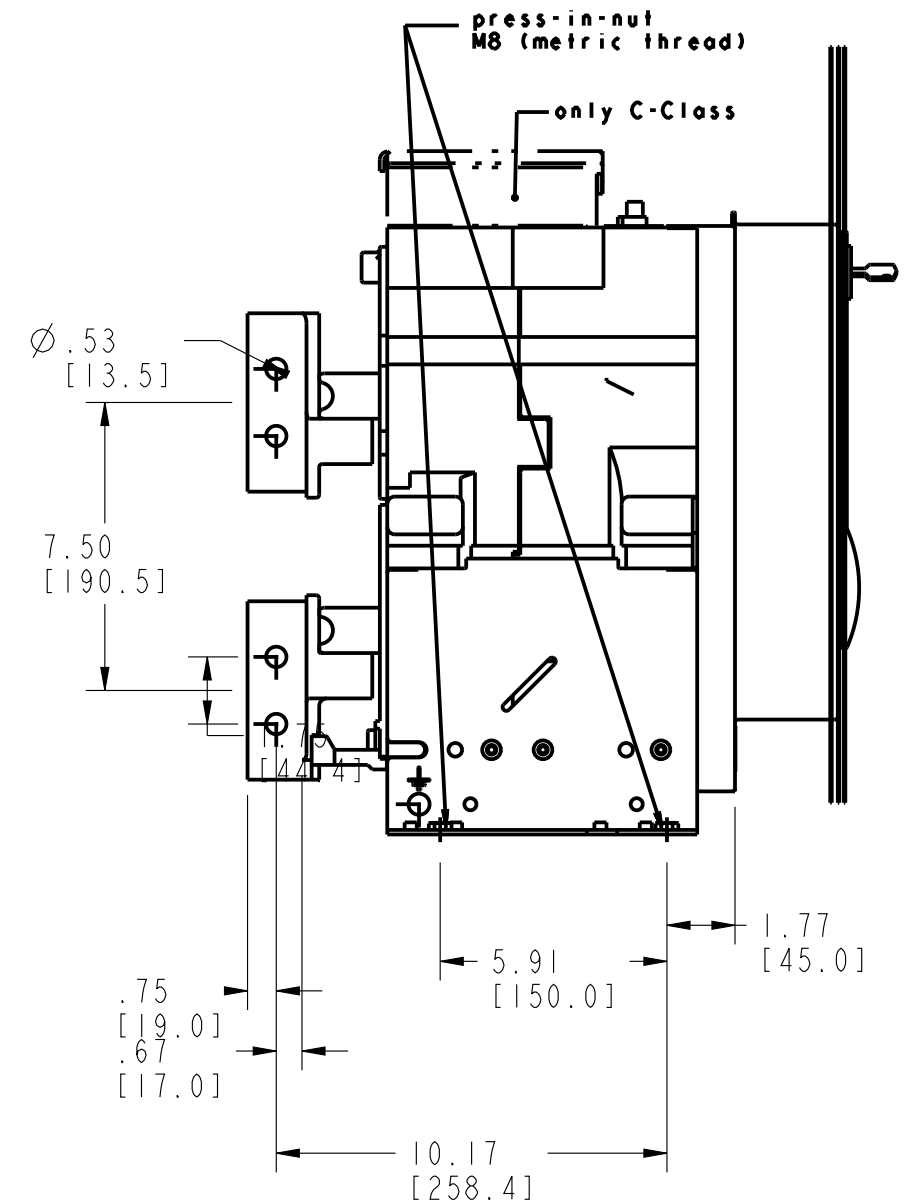
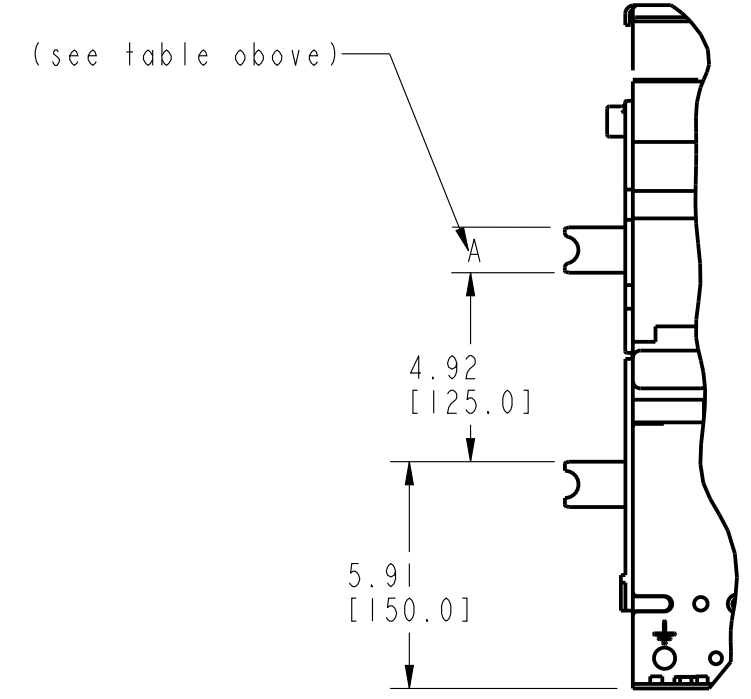
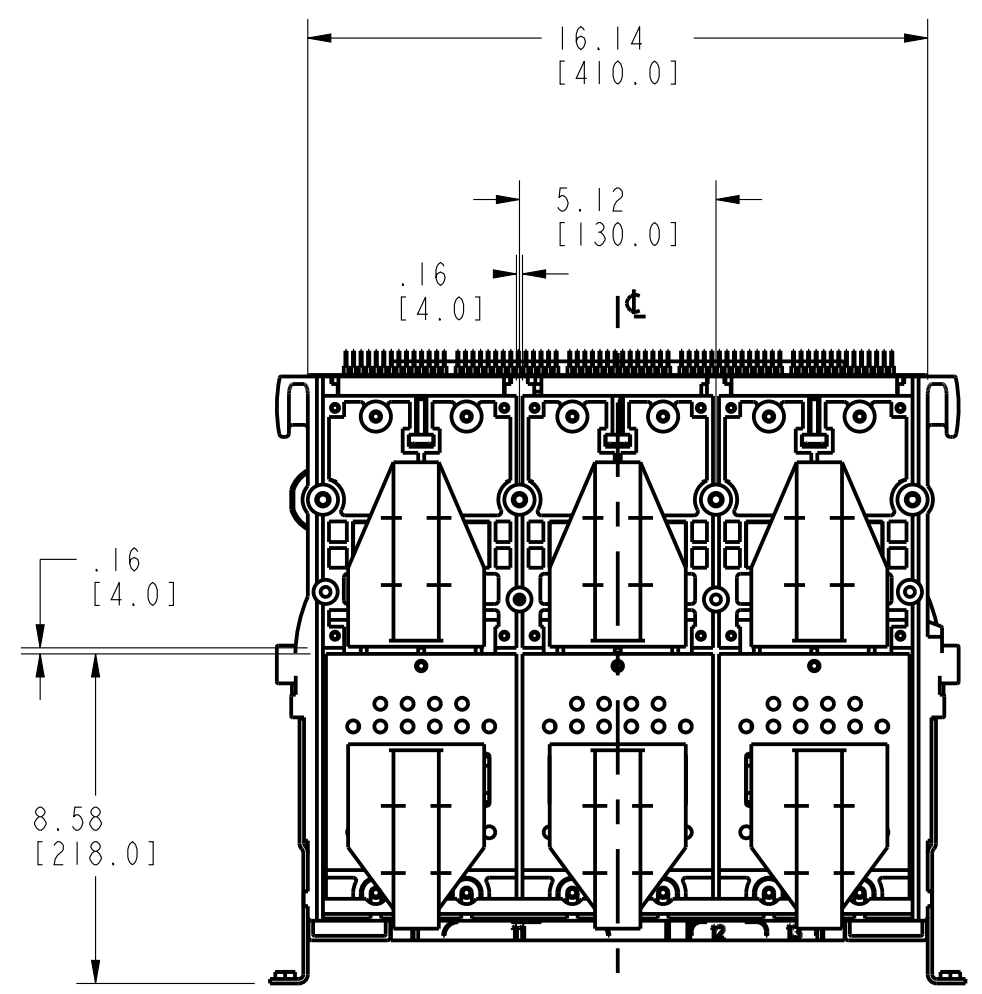


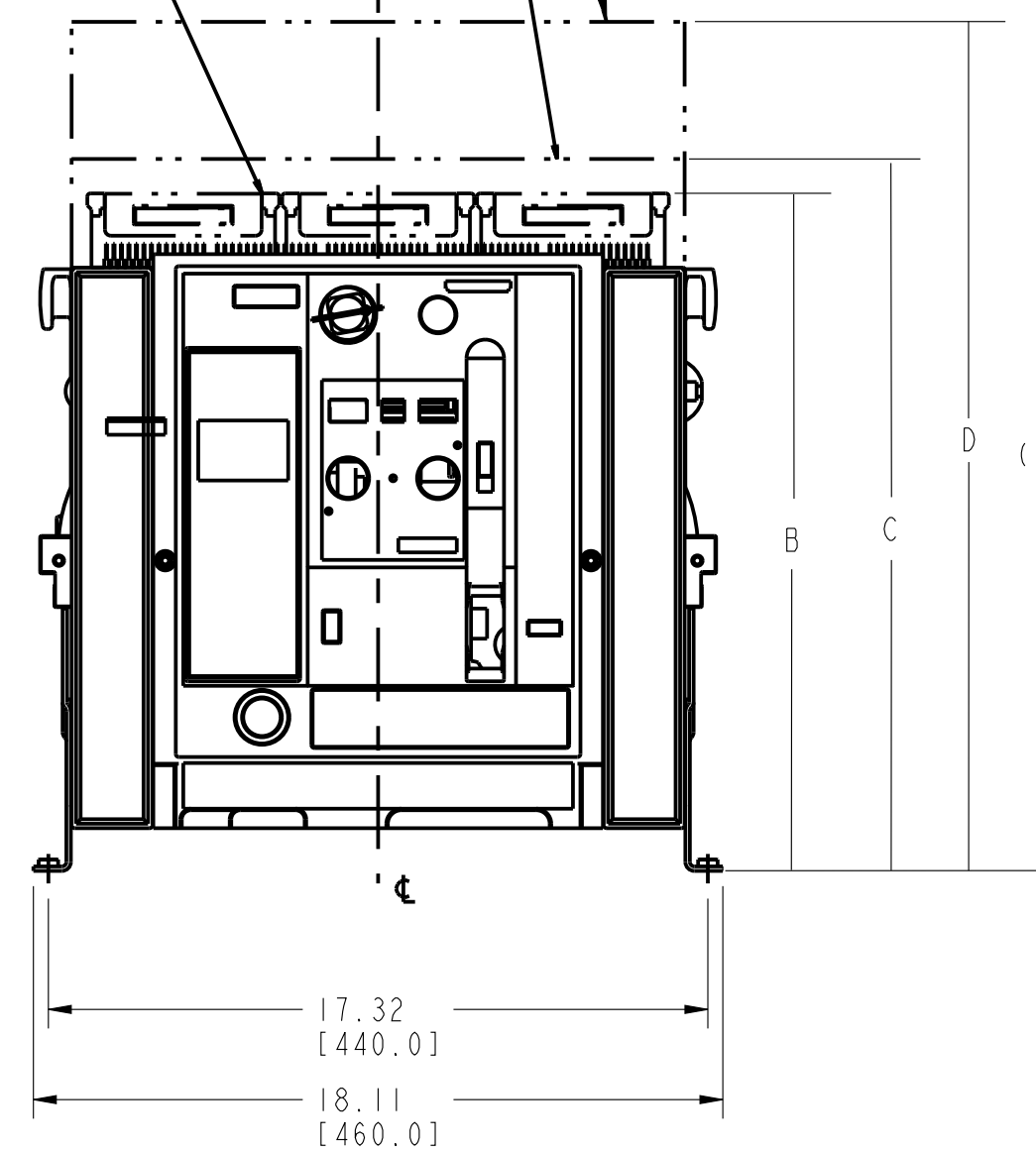
REVISIONS				
REV	ECN/MCR	DESCRIPTION	DATE CHANGED BY	APPROVED BY
OP		INITIAL PRELIMINARY RELEASE	02-09-15	M. Rodr



interrupting class	rated current	dimension A
S/L	800 - 1600 A	0.39 [10]
S/L	2000 A	0.59 [15]
S/L	2500 - 3000 A	1.18 [30]
C	800- 3000 A	1.18 [30]

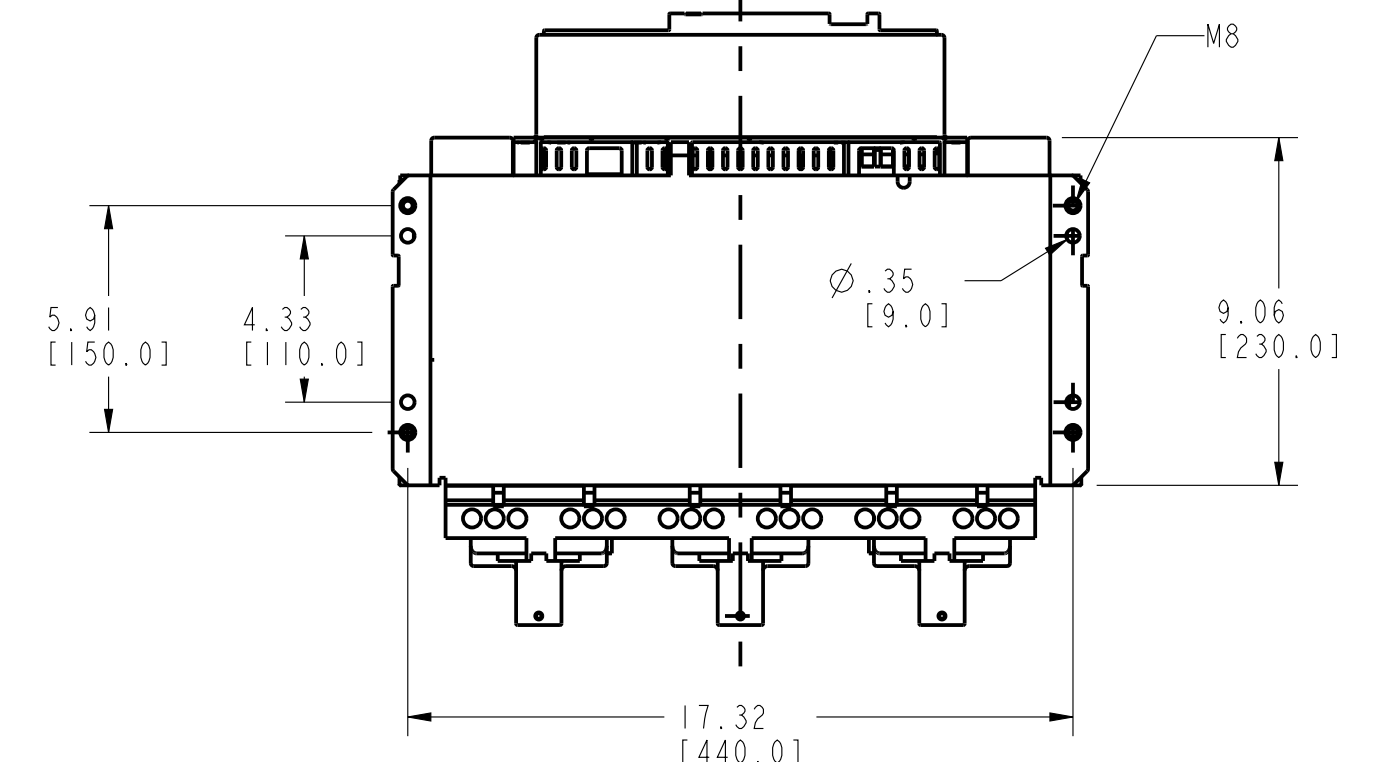


required space for arc chute removal and contact inspection
 required space for secondary disconnects and minimal wire channel
 only C-class



interrupting class	Dimension B	Dimension C	Dimension D
S/L	15.85 [402.5]	18.70 [475.0]	22.30 [566.5]
C	17.80 [452.10]	18.70 [475.0]	25.20 [640.0]

(1) = Slots 0.2 [5] for insulation barriers

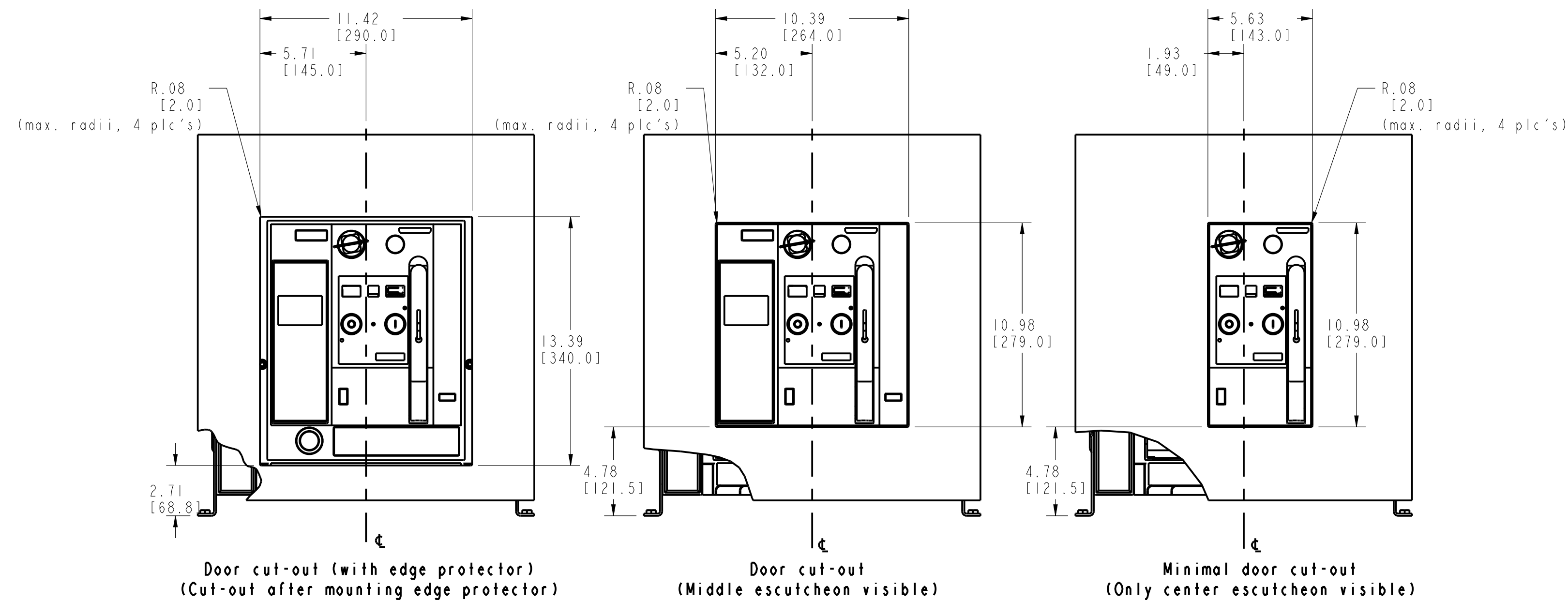


814871	Drawing applicable for the following frames WLS2F308, WLS2F312, WLS2F316, WLS2F320, WLL2F308, WLL2F312, WLL2F316, WLL2F320, WLL2F325, WLL2F330, WLC2F308, WLC2F312, WLC2F316, WLC2F320, WLC2F325, WLC2F330
PART OR IDENTIFYING NO.	MATERIAL/SPECIFICATION

CONFIDENTIAL - PROPERTY OF Siemens Industry, Inc.				
Siemens Industry, Inc.				
UL489 FS2 Fixed-Mounted 3P Class S, L, C				
UNLESS OTHERWISE SPECIFIED DIMENSIONS ARE IN INCHES DO NOT SCALE DRAWING				
TOLERANCES: .X ± .01 .XXX ± .005 ANGULAR ± 1.00				
DWN M. Rodr	DATE 2/6/15	SIZE D	FSCM NO.	DWG NO. 814871
CHK S. Puppala	DATE 2/11/15	SCALE 1:5	PROJ FILE 814871	REV. OP
APVD K. Flowers	DATE 2/13/15	SHEET 1	OF 2	

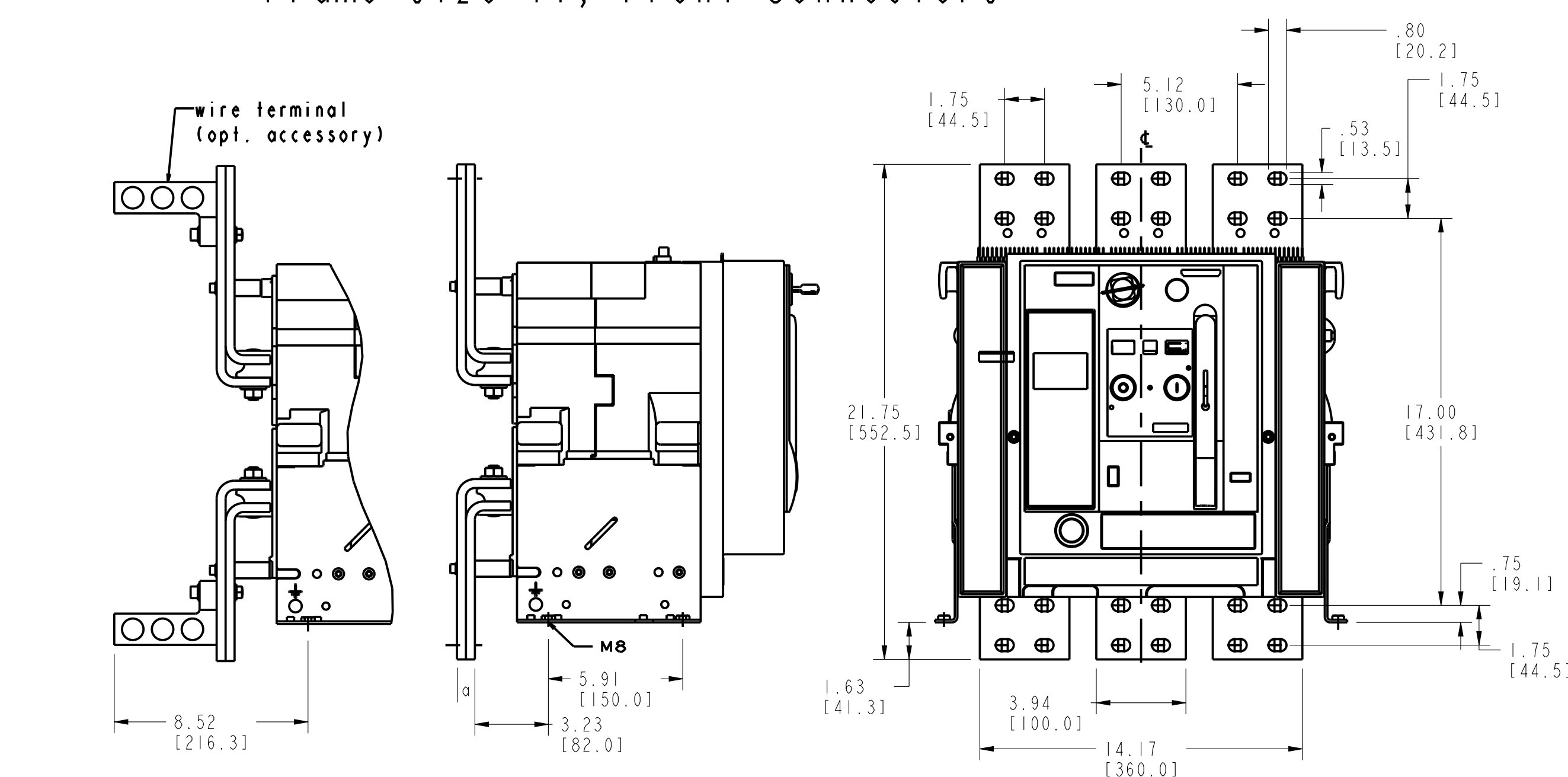
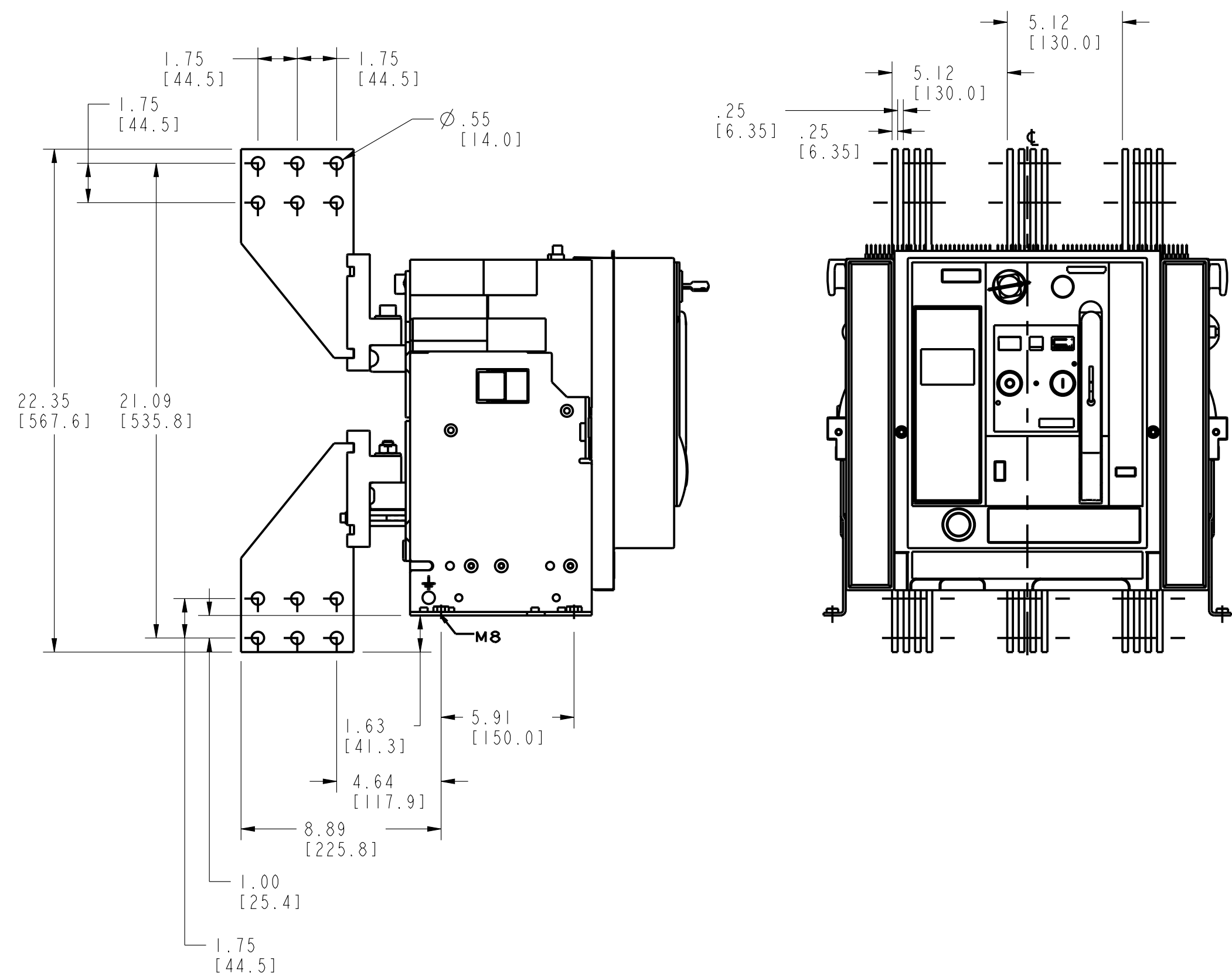
Frame size II and III, fixed mounted breaker, door cut-outs

REVISIONS				
REV	ECN/MCR	DESCRIPTION	DATE CHANGED BY	APPROVED BY
OP		See Sheet 1 for description of changes	02-09-15	M. Rodr



Frame size II, front connections, 3000A

Frame size II, Front Connectors



rated current	dimension a
800 - 1600 A	0.39 [10]
2000 A	0.79 [20]
2500 A	0.79 [20]

814871	Drawing applicable for the following frames WLS2F308, WLS2F312, WLS2F316, WLS2F320, WLL2F308, WLL2F312, WLL2F316, WLL2F320, WLL2F330, WLL2F330, WLC2F308, WLC2F312, WLC2F316, WLC2F320, WLC2F325, WLC2F330
PART OR IDENTIFYING NO.	MATERIAL/SPECIFICATION

CONFIDENTIAL - PROPERTY OF Siemens Industry, Inc.				
Siemens Industry, Inc.				
UL489 FS2 Fixed-Mounted 3P Class S, L, C				
UNLESS OTHERWISE SPECIFIED DIMENSIONS ARE IN INCHES DO NOT SCALE DRAWING				
TOLERANCES: .X ± .01 .XXX ± .005 ANGULAR ± 1.00				
DWN M. Rodr	DATE 02/6/15	SIZE D	FSCM NO.	DWG NO. 814871
CHK S. Puppala	DATE 2/11/15	SCALE 1:5	PROJ FILE 814871	REV. OP
APVD K. Flowers	DATE 02/13/15	SHEET 2 OF 2		