

Installation Instructions



⚠ DANGER

Hazardous voltage. Will cause death or serious injury.

Turn OFF and lock out all power supplying this device before installing or servicing accessory.

⚠ SAFETY INSTRUCTIONS

BREAKERS TYPES
FJ6(ETI), F6, HF6, FM6, FMK, CLF(ETI), HFJ6, (H)(H)FXD6(ETI), FD6, (H)(H)FD6, CFD6(ETI), FFC, FFF

NOTE: This instruction outlines the recommended installation procedure.

1. Circuit Breaker Preparation

The circuit breaker should be in the OFF/"O" position before installing the plug-in-tulip adapter kit. Turn off and lock out all power supplying this device before installing. Verify that *NO* voltage is present before proceeding with task.

Remove Pressure Wire Connectors From Breaker If Present

2. Place tulip clip assembly (6) on back of breaker in recess provided in base molding. Secure in place with 5/16 flatwashers (7), lockwashers (8) and 5/16 - 18 X 1 1/2 round head screws (9) furnished. (Exception - on CLF and CFD breakers use 2" long screws on load side.) Torque screws to 5-6 lb-Ft. [6.78-8.13 N/m] to assure a good electrical connection. Repeat this procedure for the remaining tulip clip assemblies.
3. Slide upper end shields (10) and insert lower end shields (11) with beveled end facing breaker and press into slots provided at line and load end of breaker.
4. Add accessory label (12) to top of breaker as indicated in Fig. 4.

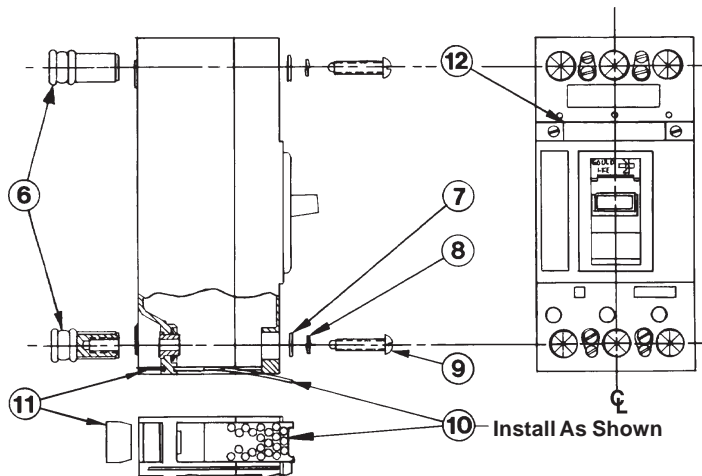
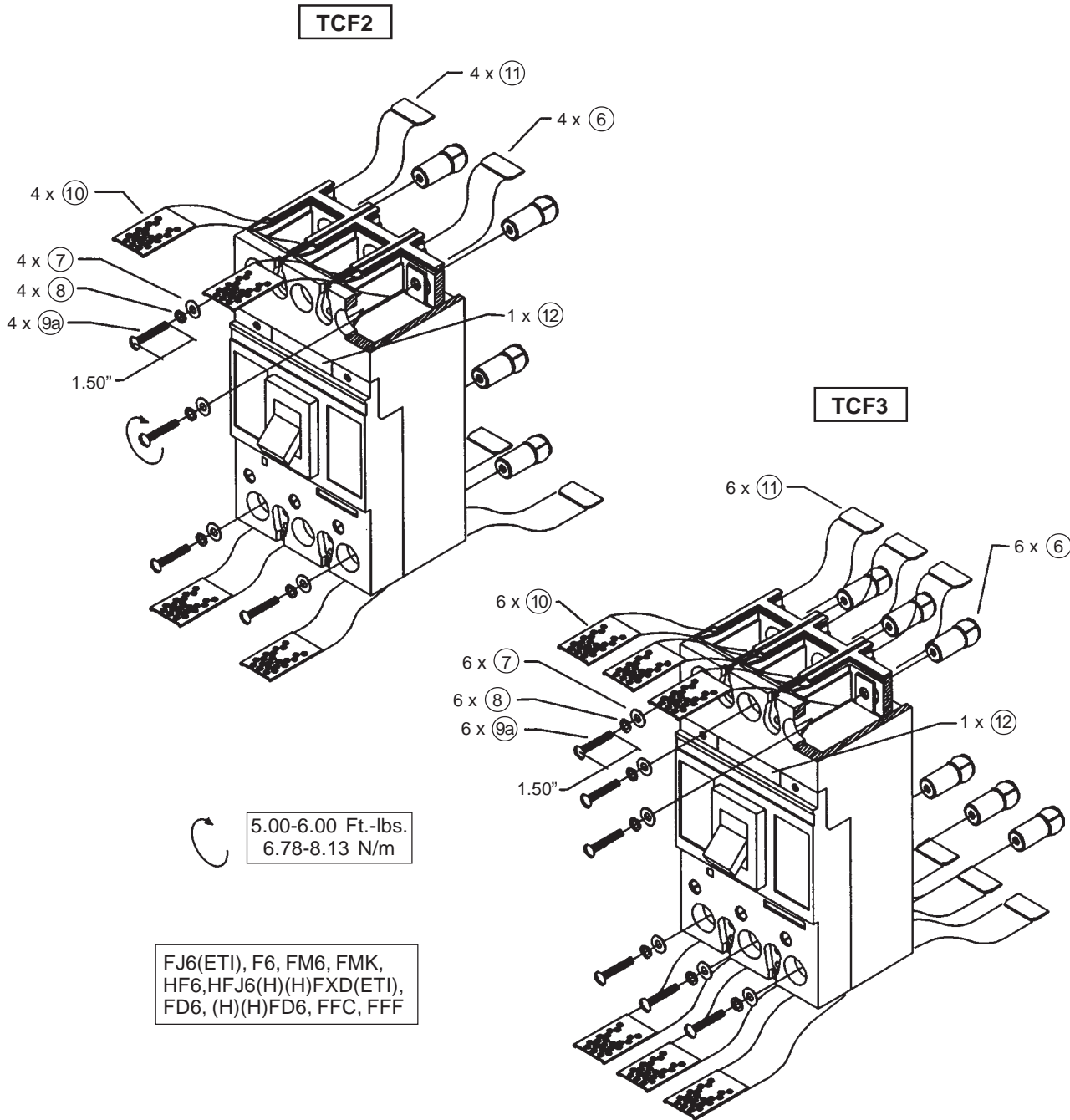


Fig. 4



Installation Instructions





Installation Instructions

