

# 600V DC Solar Photovoltaic Switches Type VBII, 200 Amp, Type 3R (Outdoor)

## Standards and Ratings

- UL Listed and specifically designed and tested for use with three separate 600V DC circuits
- Specific catalog numbers are available for use with negative and for positive ground system
- Switches comply with UL98 requirements and are UL listed in file number E335018 as UL1741 Photovoltaic Disconnect switches
- Door labeling as required by Article 690 of the NEC supplied as standard
- Rated 10,000 AIC when protected by Class K, J or R fuses rated at 600V DC
- UL approved for field installation of optional copper body and crimp type terminals

## Features

- Innovative magnetic arc suppression incorporated into the line base
- Quick-make and break switching action
- Double break visible blade design
- Highly visible ON/OFF indication
- Rugged installer friendly enclosure design
- Front removable line and load lugs which can easily be converted to copper body or compression type lugs
- Defeatable dual cover interlock
- Ground bar factory installed as standard
- Two and 3 point mounting provisions are standard
- Large wire gutters and oversized lugs allow for larger cables to minimize voltage drop on long cable runs

## General Information

Catalog Number	Volts DC	Description	Shipping Weight (lbs.)	Rated Isc per NEC Article 690
<b>Negative Ground</b>				
HF364RPV	600	3 Pole, 3 Wire, Fusible	50	128.0A
HN364RPV	600	3 Pole, 3 Wire, Non-Fusible	48	160.0A
<b>Positive Ground</b>				
HF364RPVPG	600	3 Pole, 3 Wire, Fusible	50	128.0A
HN364RPVPG	600	3 Pole, 3 Wire, Non-Fusible	48	160.0A

## Accessories

Catalog Number	Description
HA161234	One Normally Open and Closed Auxiliary Switches
HA261234	Two Normally Open and Closed Auxiliary Switches
HA361234	Low Voltage Auxiliary Switch
HG261234	Isolated Equipment Ground Lug Kit
HN64	Neutral Kit
HR64	Class R Fuse Clip Kit (3 fuse clips per kit)
HLC64	Copper Lug Kit (9 lugs per kit)
ECHS200	2.00" Type "HS" Outdoor Hub
ECHS250	2.50" Type "HS" Outdoor Hub

## Replacement Parts

Catalog Number	Description
HBB64	Fusible Load Side Replacement Base
HH64	Replacement Handle/Handle Guard
HL64	Replacement Lugs (3 lugs per kit)
HM64	Replacement Mechanism

## Mechanical Lug Wire Ranges (75°C, Cu/Al)

Description	Wire Range
Line, Load, Neutral	#6 AWG - 300 Kcmil
Ground Lug Kit	#14-4 AWG

# Product Specification Sheet HD200.11

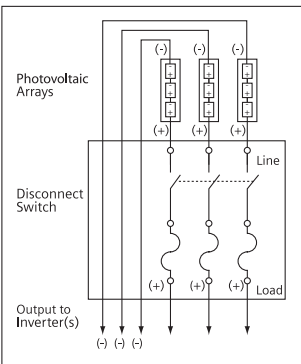
# Product Specification Sheet #HD200.11 (page 2 of 2)

## Compression Lugs

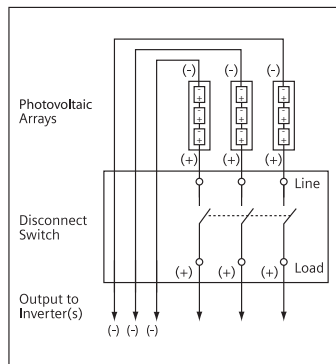
Wire Size	Burndy		Thomas-Betts		IlSCO	
	CU ONLY	CU/AL	CU ONLY	CU/AL	CU ONLY	CU/AL
#2	YA2C-L Box YA2C	YA2CA1	54142-TB	60117	CRB-2 CRB-2L	IACL-2 ACN-2
#1	YA1C-L Box YA1C	YA1CA1	54147 54947BE	60123	CRA-1-38 CRA-1L	ACN-1
1/0	YA25-L Box YA25	YA25A1	54153-TB 54949BE	60129 61130	CRA-0 CRA-1/0L	IACL-1/0 ACN-1/0
2/0	YA26-L3 YA26	YA26A6	54158 256-30695-1229 54910BE	60135 61136	CRA-2/0 CRA-2/0L	IACL-2/0 IACL-2/0
3/0	YA27-L3 YA27	YA27A1	54163-TB	60141 61142	CRC-3/0 CRB-3/0L	IACL-3/0 ACL-3/0
4/0	YA28-L3 YA28-TC38	YA28A1	54168 256-30695-1253	61148 60147	CRC-4/0 CRB-4/0L	IACL-4/0 ACL-4/0
250 Kcmil	YA29-L7		54173 54913BE	61156	CRA-250 CRA-250L	IACL-250
300 Kcmil				61162		

## Wiring Diagrams

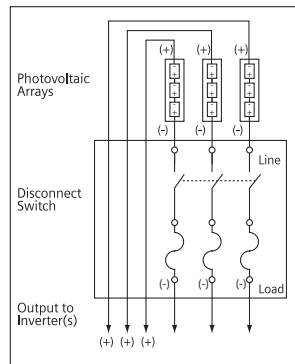
For negative ground PV systems  
HF364RPV



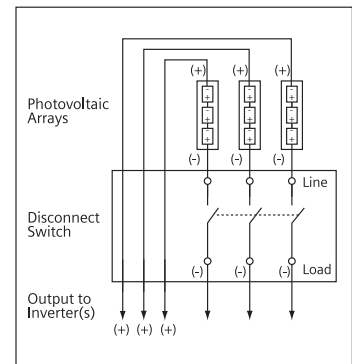
HNF364RPV



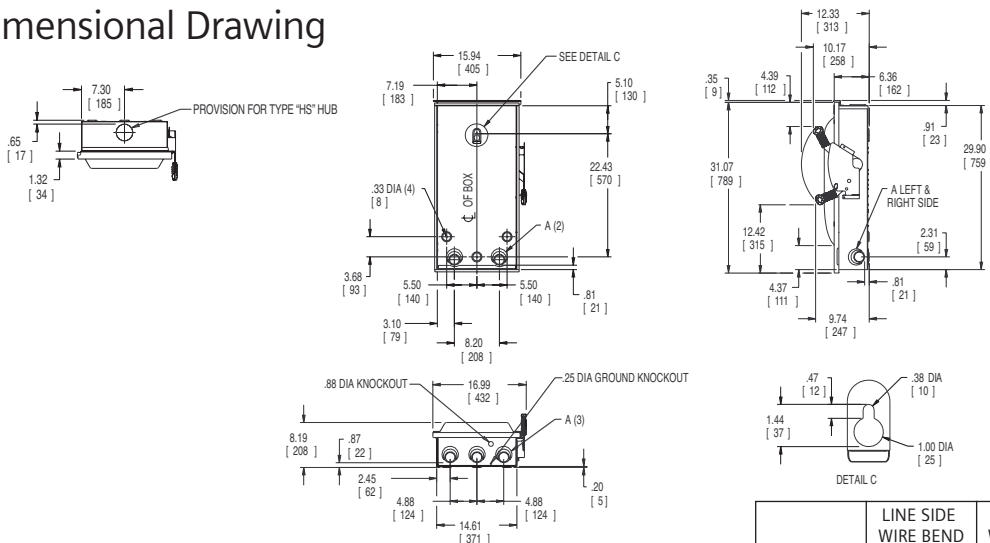
For positive ground PV systems  
HF364RPVPG



HNF364RPVPG



## Dimensional Drawing



KNOCKOUT CODE	CONDUIT SIZE			
	1.25	1.50	2.00	2.50
A (Tangential)				

	LINE SIDE WIRE BEND	LOAD SIDE WIRE BEND
240V Fused	7.87 (200)	10.34 (263)
600V Fused	7.87 (200)	7.84 (199)
Non-Fused	7.87 (200)	15.84 (402)

Dimensions shown in inches and millimeters ( ).  
Dimension shown accurate to ± 1/8 inch.

Enclosure: Galvanized Steel  
.054 (17 Gauge)  
Finish: ANSI Grey #61 Paint

Siemens Industry, Inc.  
Building Technologies Division  
5400 Triangle Parkway  
Norcross, GA 30092  
1-800-241-4453

Subject to change without prior notice.  
All rights reserved.  
Printed in USA  
©2011 Siemens Industry, Inc.

Siemens is a registered trademark of Siemens AG.  
Product names mentioned may be trademarks or registered trademarks of their respective companies.