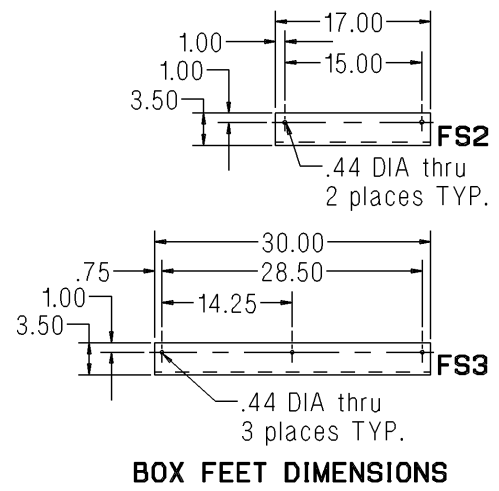
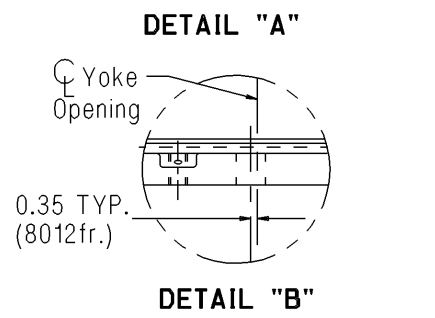
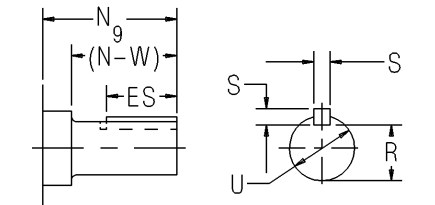
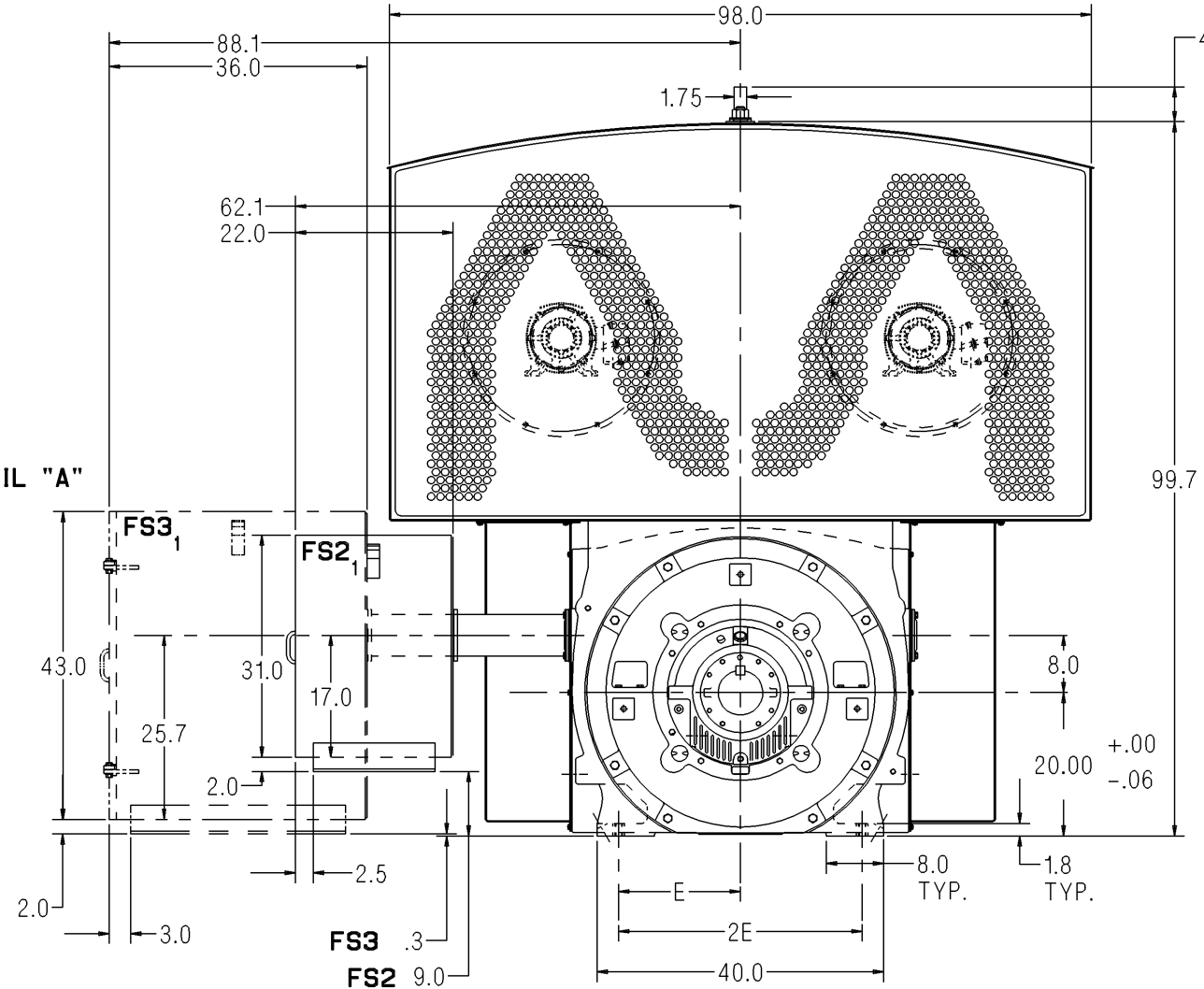
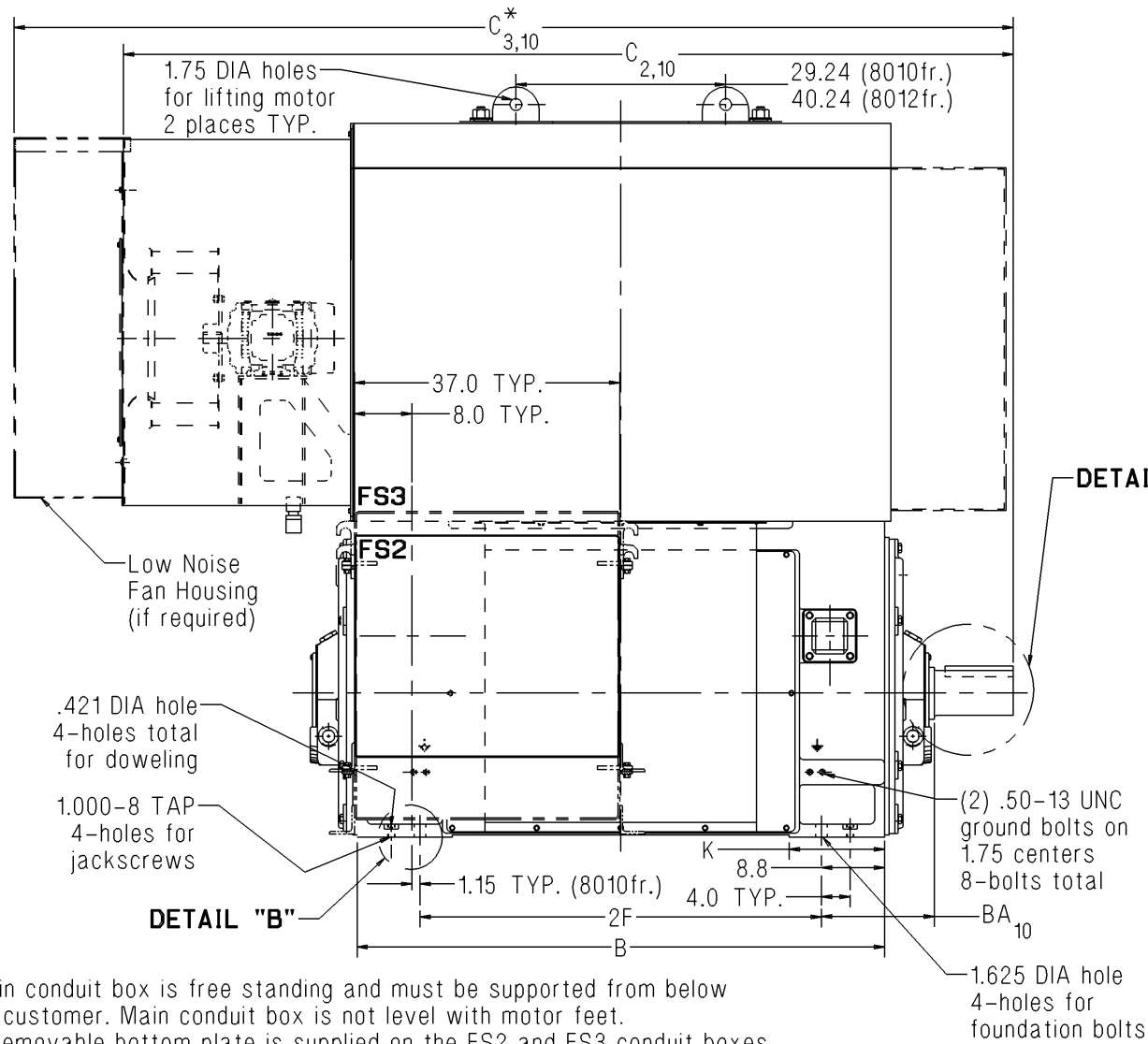


Dimension Prints for Above NEMA Motors



Notes:

1. Main conduit box is free standing and must be supported from below by customer. Main conduit box is not level with motor feet. A removable bottom plate is supplied on the FS2 and FS3 conduit boxes. A 16.0" spacer is supplied on both frames for the FS2 conduit box. A 28.0" spacer is supplied on both frames for the FS3 conduit box.
2. C = Length of motor from drive end of shaft to end of auxiliary blower.
3. C\* = Length of motor from drive end of shaft to end of low noise fan housing.
4. V = (N-W)-0.25" = length of shaft available for coupling.
5. 2 Pole machines may rotate in one direction only.
6. Shims may be necessary under motor feet for direct connection.
7. Rotor end float = 0.5"
8. End float of LEF coupling = 0.19"
9. Adding a rotating labyrinth seal to the drive end decreases N by:  
 2 Pole: 0.55" 4 Pole & Slower: 0.55"
10. When adding a ground brush, consult the factory. (BA, C, and C\* will increase.)
11. For motors equipped with proximity probes use print CAZB\_800\_2plusPL\_SLVPRB\_FS.
12. Typically motor is supplied with two auxiliary blowers. Depending upon individual motor design, only one auxiliary blower may be supplied.
13. Approximate Ship Weight is based on standard aluminum cooling tubes.

Lubrication Per Bearing	
2 Pole	4 Pole & Slower
140-160 SUS @ 100°F	290-350 SUS @ 100°F
6.0 qt. capacity	6.0 qt. capacity

Standard Dimensions in Inches

Shaft	Frame	Speed	B	BA <sub>10</sub>	C <sub>2,10</sub>	C* <sub>3,10</sub>	E	2F	K	N <sub>9</sub>	(N-W)	R	S	U	V <sub>4</sub>	ES	Approx. Ship Wt. (Lbs) <sub>13</sub>
Short	8010	2 Pole	73.6	15.75	122.4	137.6	17.0	56.0	13.3	9.50	8.75	4.296	1.25	5.000	8.50	7.0	22100
Short	8010	4 Pole & Slower	73.6	15.75	124.6	139.8	17.0	56.0	13.3	11.75	11.00	5.408	1.50	6.250	10.75	9.5	23000
Short	8012	2 Pole	88.6	15.75	137.4	152.6	17.0	71.0	14.8	9.50	8.75	4.296	1.25	5.000	8.50	7.0	26700
Short	8012	4 Pole & Slower	88.6	15.75	139.6	154.8	17.0	71.0	14.8	11.75	11.00	5.408	1.50	6.250	10.75	9.5	27700

Certification: Customer \_\_\_\_\_ P.O. \_\_\_\_\_ S.O. \_\_\_\_\_ Item \_\_\_\_\_  
 HP \_\_\_\_\_ RPM \_\_\_\_\_ Frame \_\_\_\_\_ PH/HZ/Volts 3/\_\_\_\_\_/\_\_\_\_\_  
 By \_\_\_\_\_ Date \_\_\_\_\_ Terminal Box Size FS2  FS3   
 Comments \_\_\_\_\_  
 Not for construction, installation or application purposes unless certified.