

Catalog Number: UAS817-P0XA

Features and Ratings

- Ringless Type Meter Socket
- 200A Continuous, 250A Max., 600V AC
- Outdoor Enclosure (NEMA Type 3R)
- Painted G90 Steel
- 1 Phase, 3 Wire
- 5 Jaw Meter Socket
- Meter Socket Type UAS8
- For Underground Service Only
- 7/16" Barrel Lock Provision
- One Ground Lug
- Alnox Inhibitor Applied To All Connectors

Connectors, Wire Sizes and Torques

CONNECTOR	WIRE SIZE	TORQUE
LINE, LOAD, NEUTRAL*	#6 - 350 MCM	250 IN.-LBS.
GROUND	#2 - 14 AWG	50 IN.-LBS.

- * External Hex Drive 1/2"
- * Internal Hex Drive 5/16"

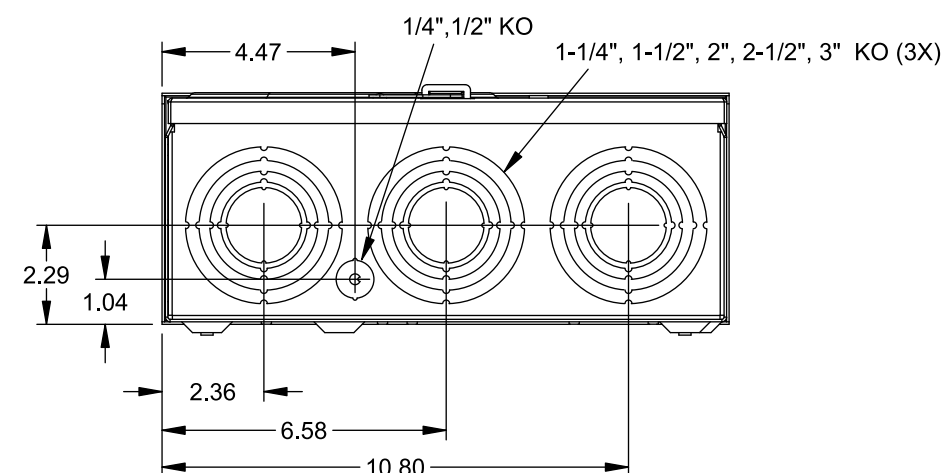
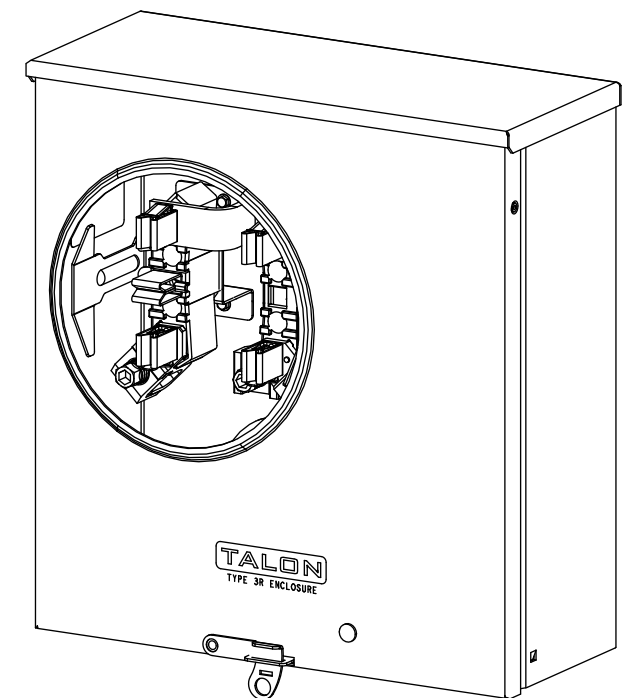
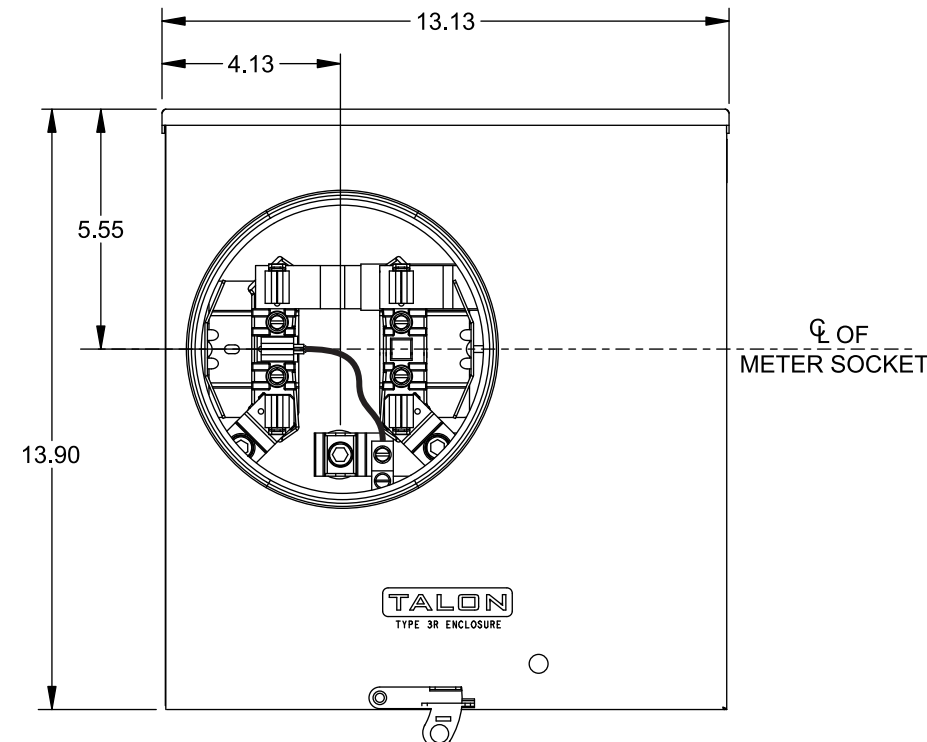
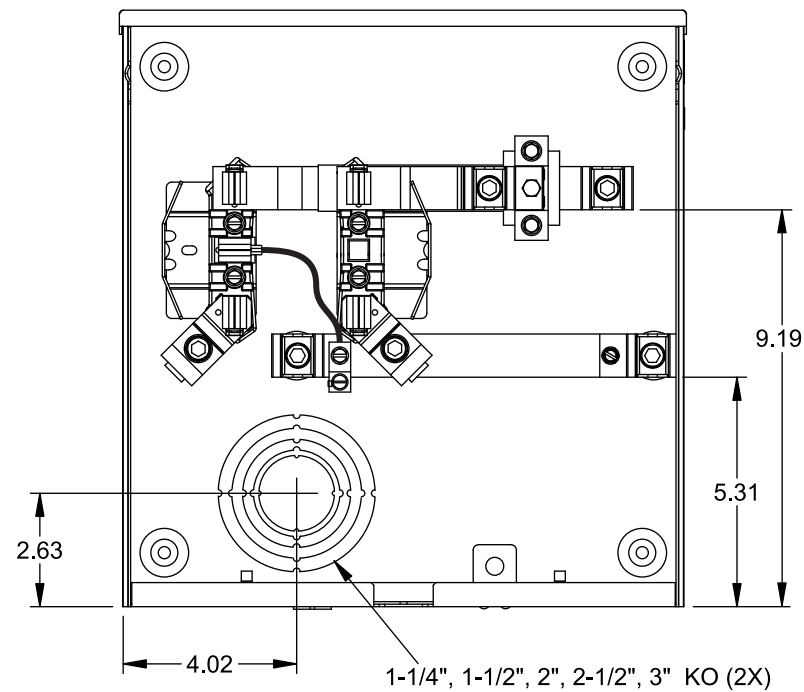
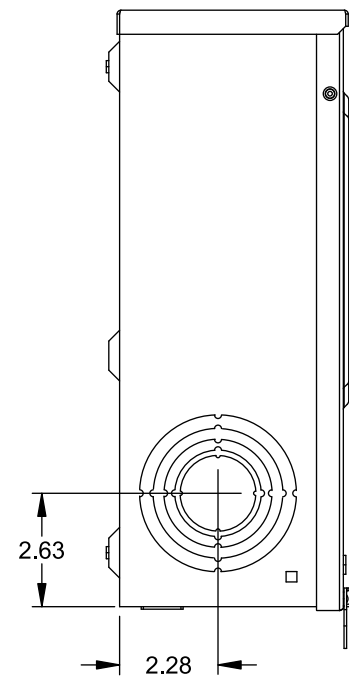
Accessories

Meter Opening Cover Plate
Cat No: H659-0162

5th Jaw Kit
Cat. No: EC659-0121



VIEW SHOWN WITH COVER REMOVED



© 2015 Copyright Siemens Industry, Inc.

TALON
Meter Socket

Description: **200A Cont, 5 Jaw, UAS8, 600V AC, Painted Steel Enclosure**

JEL 6/30/15 DO NOT SCALE DRAWING Dwg No: **UAS817-P0XA**