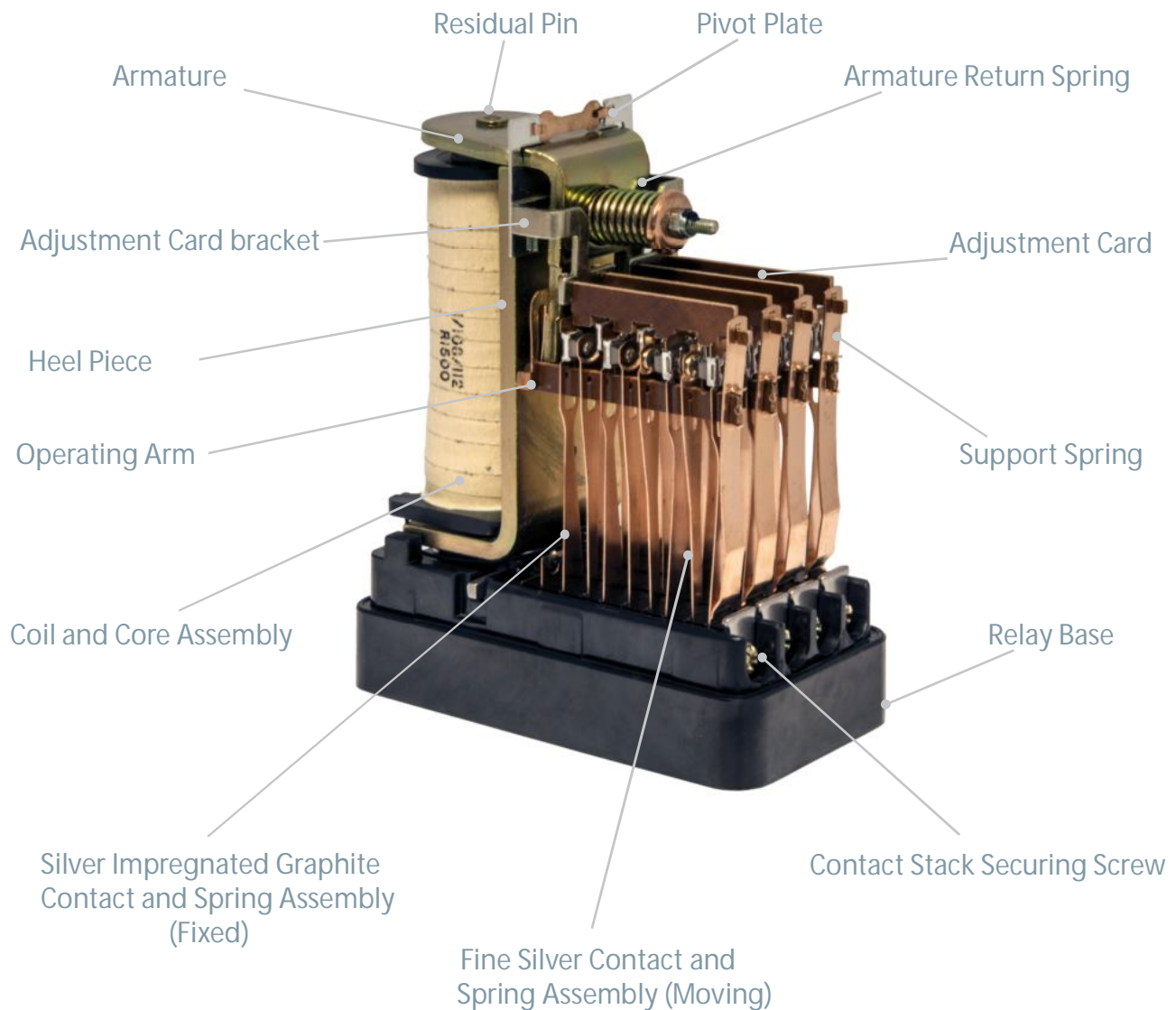


[Siemens.com/mobility](https://www.siemens.com/mobility)

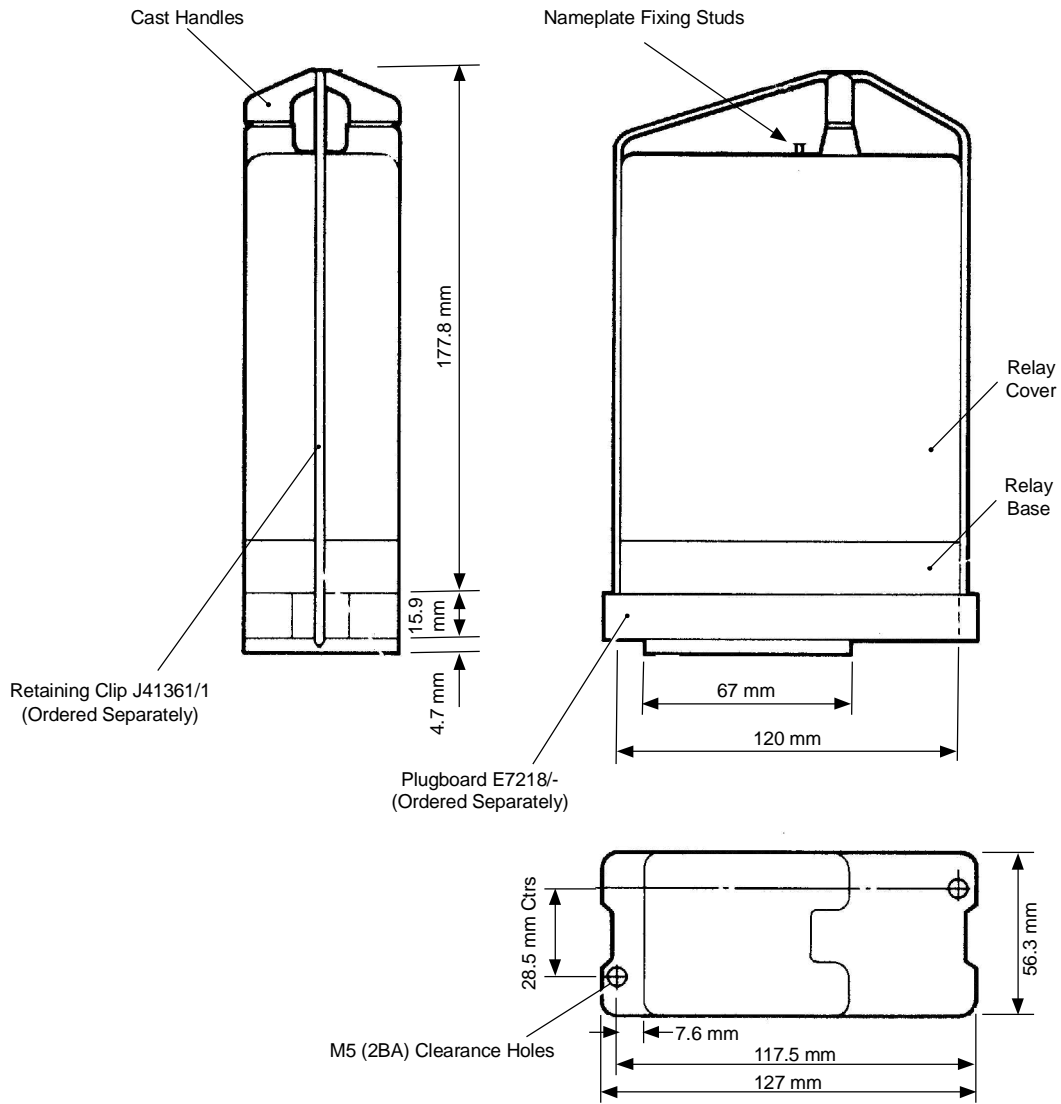
## Q Relay

Typical style Q-relay

### Construction

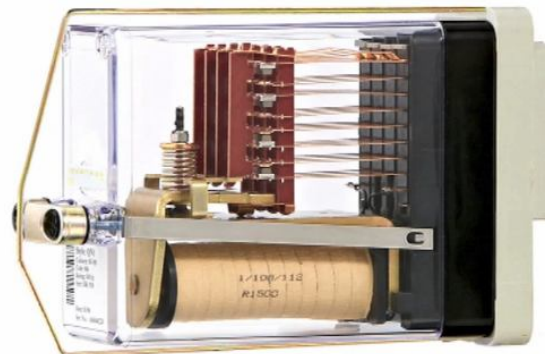


# Dimensions



Un-drilled plugboard  
Part No. E7218/1

Representation of Relay,  
Plugboard and Retaining clip  
(Clip Part No. J4136/1)



Siemens Ltd  
Infrastructure & Cities Sector  
Mobility and Logistics Division  
Rail Automation  
PO Box 79  
Pew Hill  
Chippenham  
Wiltshire SN15 1JD  
UK  
[www.siemens.com/rail-automation](http://www.siemens.com/rail-automation)

Printed in the United Kingdom

Data Sheet 7-2-1

X342/55/000020 Revision 04

# SIEMENS

The information within this document contains general descriptions of the technical options available, which do not always have to be present in individual cases. The required features should therefore be specified in each individual case at the time of closing the contract.