

# Catalog Number: UA3311-XB

## Features and Ratings

- Ringless Type Meter Socket
- 100A Continuous, 3 Position, 200A Overall
- Outdoor Enclosure (NEMA Type 3R)
- Painted G90 Steel
- 1 Phase, 3 Wire, 600V AC
- 5 Jaw
- Horn Bypass
- For Overhead or Underground Service
- RX Hub Opening, with Cover Plate Factory Installed

### Accessories

Meter Opening Cover Plate  
Cat No: H659-0162

5th Jaw Kit  
Cat. No: 659-0121

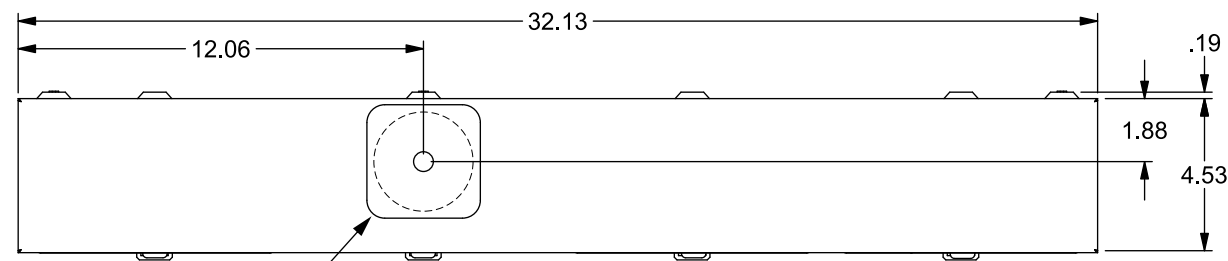
CONDUIT HUBS (RX Type)	
TRADE SIZE	CATALOG No.
1-1/4 INCH	EC38597 or H38597-2
1-1/2 INCH	EC38598 or H38598-2
2 INCH	EC38599 or H38599-2
2-1/2 INCH	EC38600 or H38600-2
Hub Cover Plate	EC38595 or H38595-1

### Connectors, Wire Sizes and Torques

CONNECTOR	WIRE SIZE	TORQUE
LINE, NEUTRAL*	#6 - 350 kcmil	250 IN.-LBS.
LOAD, NEUTRAL	2/0 - #14	50 IN.-LBS.
GROUND	#14 - 2 (CU)	50 IN.-LBS.

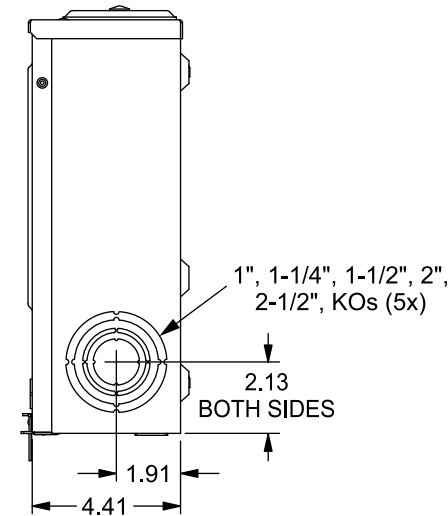
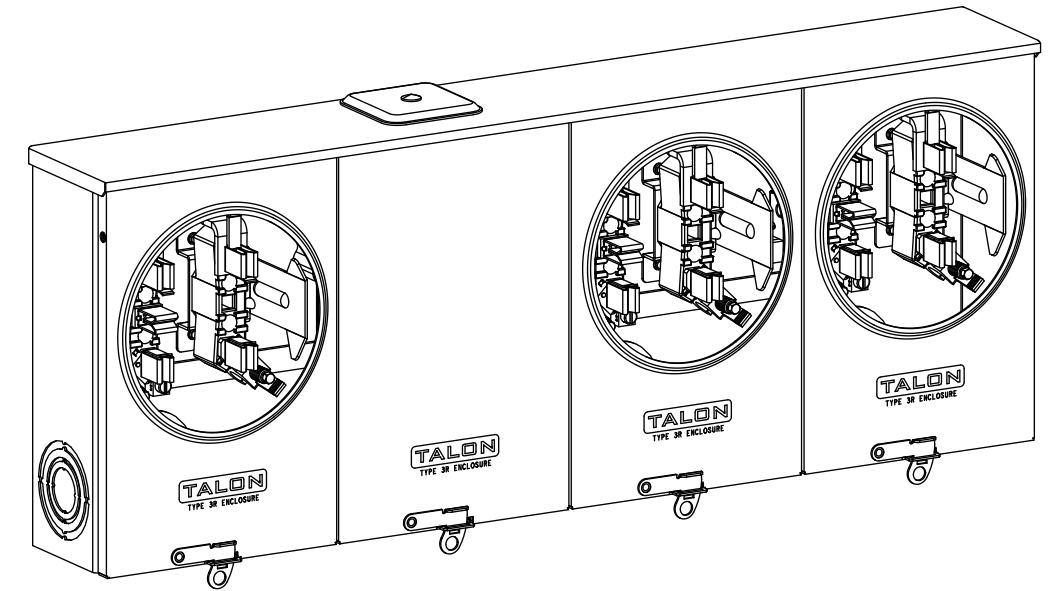
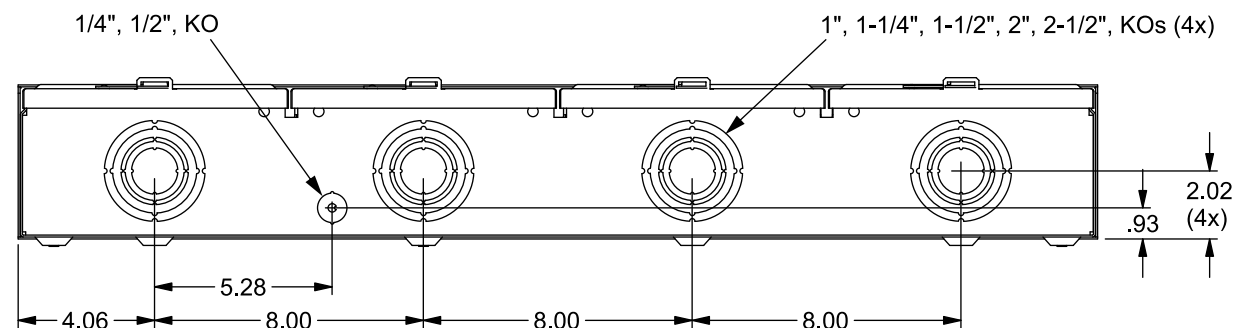
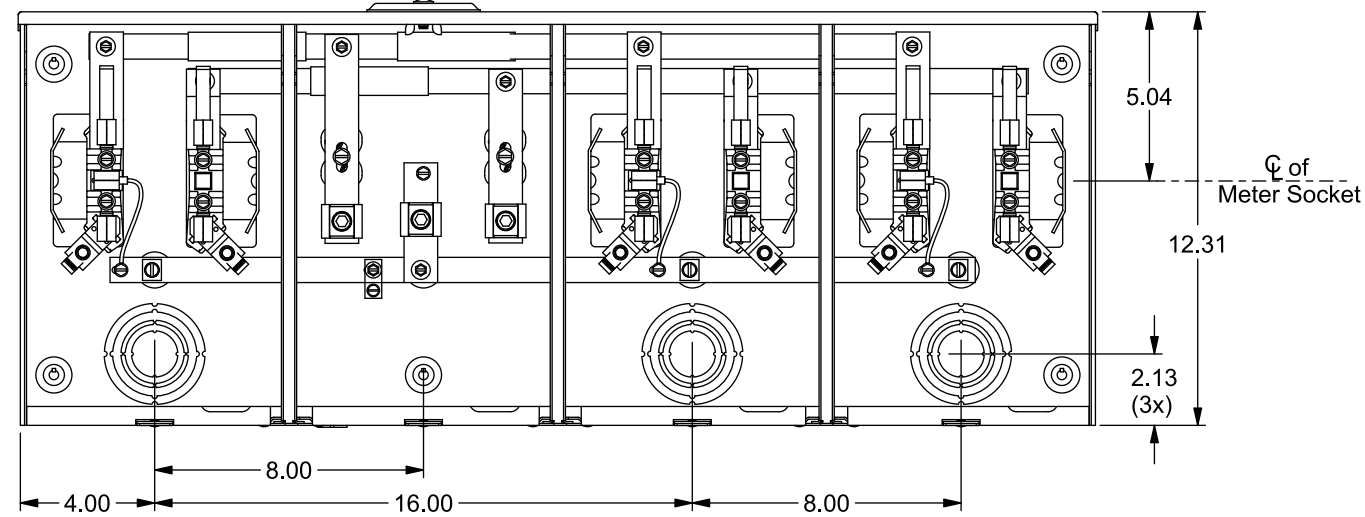
\* External Hex Drive 1/2"  
\* Internal Hex Drive 5/16"

WIRE BENDING SPACE PROVIDED FOR 350 kcmil WIRE



RX (Small) Hub Opening  
w/Cover Plate Installed

View Shown with Covers Removed



© 2018 Copyright Siemens Industry, Inc.

**TALON**

**Multi-Position Metering**

Description: **100A Cont, 5 Jaw, A12-3POS, Horn Bypass, 600VAC, Painted G90 Steel**

KAM 6/26/18 DO NOT SCALE DRAWING Dwg No: **UA3311-XB**