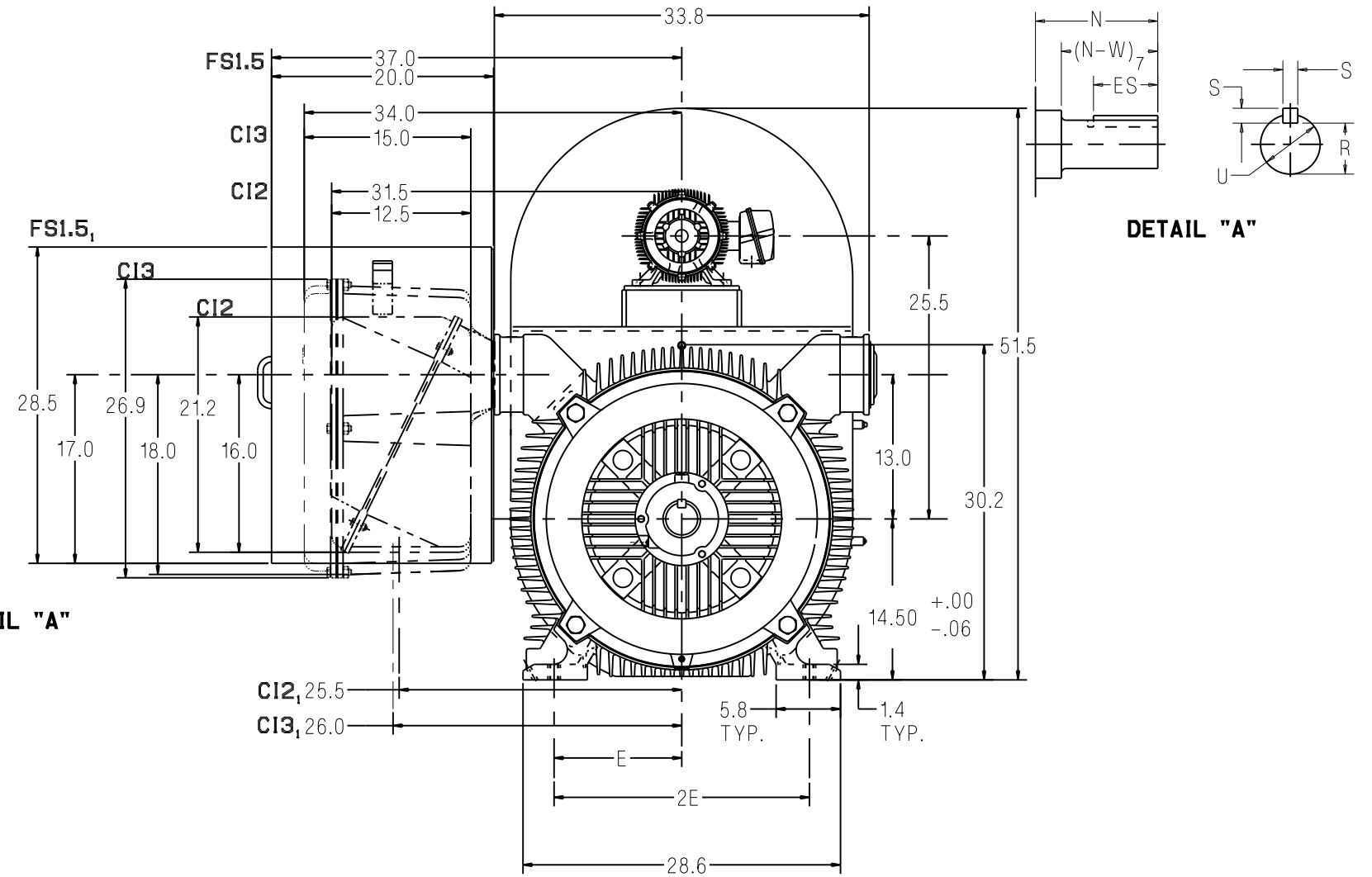


DETAIL "A"



DETAIL "A"

Notes:

- Main conduit box may be rotated in steps of 90°. A removable bottom plate is supplied on the FS1.5 conduit box. A 5.0 N.P.T. is supplied on the CI2 and CI3 conduit boxes.
- C = Length of motor from drive end of shaft to end of standard fan housing.
- V = (N-W)-0.25" = length of shaft available for coupling.
- Machines may rotate in either direction.
- Shims may be necessary under motor feet for direct connection.
- Short shaft is for direct connection. Long shaft may be either belt drive or direct connection depending upon the bearing installed in the motor.
- Adding a rotating labyrinth seal to the drive end increases BA and decreases (N-W) by:
2 Pole: 0.28" 4 Pole & Slower: 0.28" Long Shaft 4 Pole & Slower: 0.28"
- Adding a ground brush increases BA & C by:
2 Pole: 2.50" 4 Pole & Slower: 2.50" Long Shaft 4 Pole & Slower: 2.50"
- Adding a ground brush with rotating labyrinth seal increases BA & C by:
2 Pole: 2.75" 4 Pole & Slower: 2.75" Long Shaft 4 Pole & Slower: 2.75"

Standard Dimensions in Inches

Shaft	Frame	Speed	B	BA _{7,8,9}	C _{8,9}	E	2F	N	(N-W) ₇	R	S	U	V ₃	ES	Approx. Ship Wt. (Lbs)
Short	5812S	4 Pole & Slower	56.0	10.00	96.9	11.5	45.0	8.00	7.75	3.309	1.00	3.875	7.50	6.0	9150
Long	5812	4 Pole & Slower	56.0	10.00	103.8	11.5	45.0	14.87	14.62	4.169	1.25	4.875	14.37	13.0	9150

Certification: Customer _____ P.O. _____ S.O. _____ Item _____
 HP _____ RPM _____ Frame _____ PH/HZ/Volts 3/_____/_____
 By _____ Date _____ Terminal Box Size CI2 CI3 FS1.5
 Comments _____
 Not for construction, installation or application purposes unless certified.