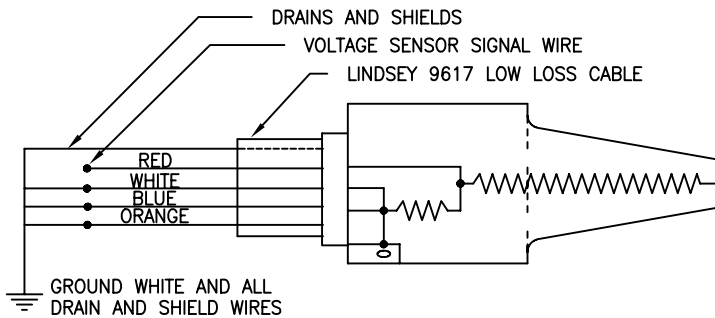
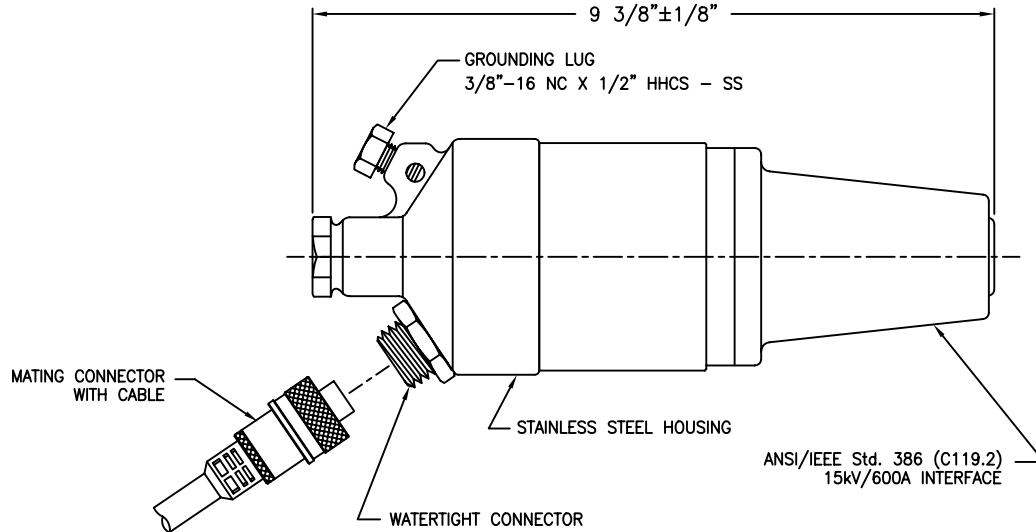
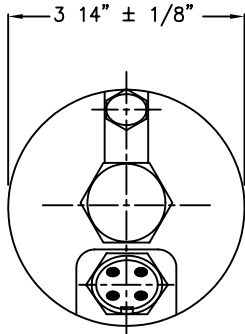


NOMINAL VOLTAGE RATIO 60:1
 CABLE LENGTH (FT) 10

REFER TO THE "CERTIFICATION DATA SHEET" THAT
 ACCOMPANIES EACH PLUG FOR THE EXACT RATIO



USUAL LINE VOLTAGE (kV) 15
 BASIC IMPULSE INSULATION LEVEL (BIL-kV) 95
 NET WEIGHT, EACH (lbs) 6.6
 PACKED WEIGHT, EACH (lbs) 8.5
 STANDARD PACKAGE 1

INNOVATIONS IN TRANSMISSION AND DISTRIBUTION		LINDSEY
		MANUFACTURING COMPANY 760 N. GEORGIA AVE. AZUSA, CA 91702 PHONE: (626)969-3471 FAX: (626)969-3177 e-mail: LindseyMan@aol.com

LAST-REVISION NO. DATE C 9/8/04	APP.	TITLE: ELBOWSENSE 15kV VOLTAGE MONITORING PLUG
DRAWING AND DESIGN PROPERTY OF LINDSEY MFG. CO. UNAUTHORIZED MANUFACTURE OR REPRODUCTION IN IN WHOLE OR PART PROHIBITED	DRG. PR 1/28/04	SCALE 1:2
		DRAWING-NUMBER SD REV 9552-0511 C